

SPECIFICATIONS:

SERIES - QDL TO CABLE
 No. OF CONTACTS - ONE (1)
 TYPE OF CONTACT - FEMALE
 DIELECTRIC - TEFLON

ELECTRICAL DATA:

MAX. PEAK OPN. VOLT -
 NOMINAL IMPEDANCE - 70 OHMS

CABLE ACCOMMODATIONS:

TYPE - 1 5/8 STYROFLEX 70 OHMS
 MAX. O. D. -

MATERIAL:

EXTERNAL PARTS - ALUMINUM
 CONTACTS - FEMALE - BERYLLIUM,
 MALE - BRASS
 CLAMP - STAINLESS STEEL

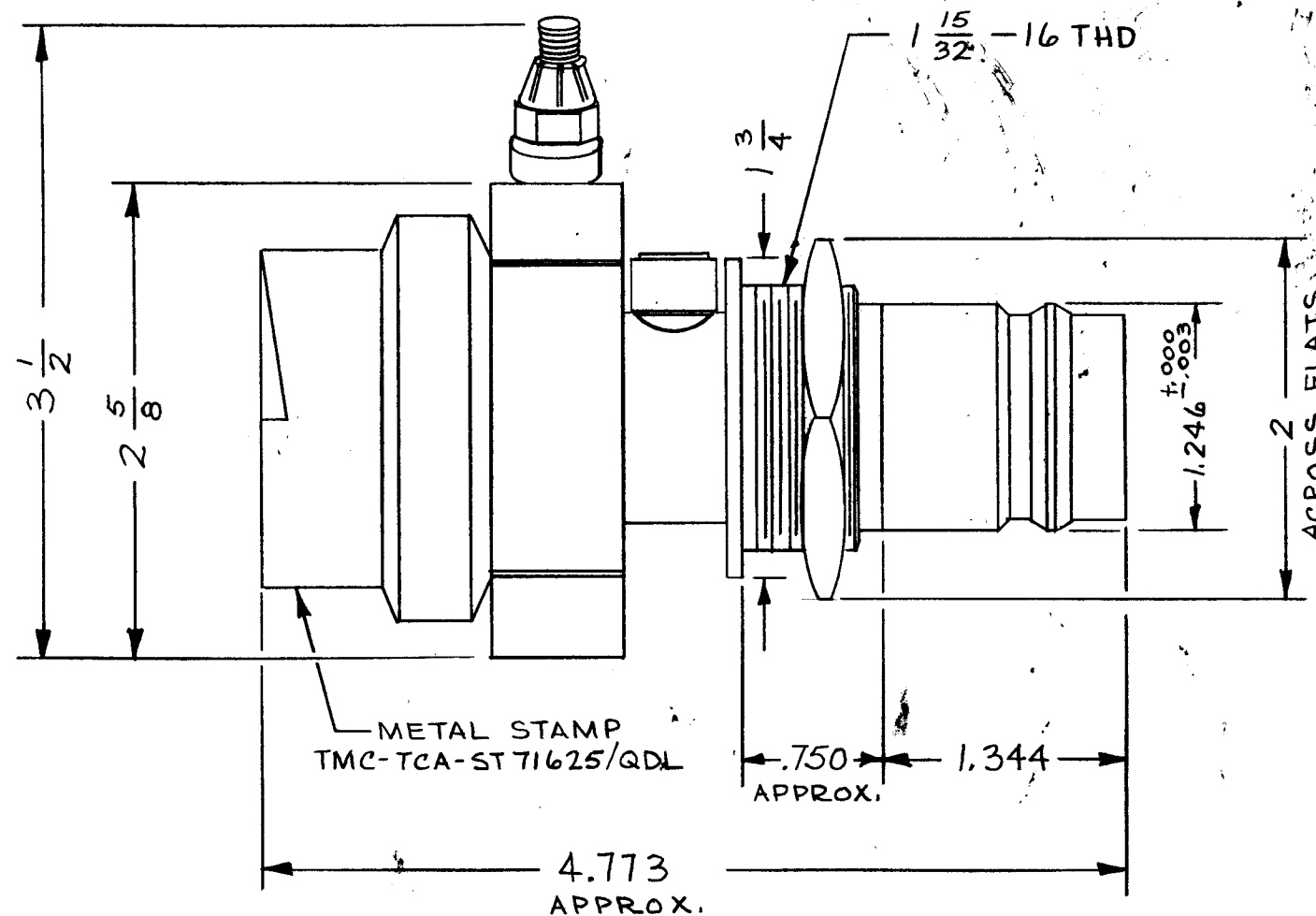
FINISH:

EXTERNAL PARTS - SILVER PLATE &
 RHODIUM FINISH
 CONTACTS - SILVER PLATE &
 GOLD FLASH

TCA-ST71625/QDL

REVISIONS

SYM	DESCRIPTION	DATE	E.M.N. NO.	DRAFT	CHKD	APPD
-----	-------------	------	------------	-------	------	------



NOTE:
 INSTALLATION INSTRUCTIONS -
 S-345/TCA SERIES 1 5/8 STYROFLEX

X	1	GL-118	COMPOUND, SILICONE, DIELECTRIC	
REQ'D.	ITEM	PART NUMBER	DESCRIPTION	SYMBOL

MARTINENGO LIST OF MATERIAL

MATERIAL
 SEE NOTES
THE TECHNICAL MATERIEL CORP.
 MAMARONECK, NEW YORK

FINISH
 SEE NOTES
TITLE CONNECTOR, RECEPTACLE
 STYROFLEX TO QDL (FEMALE), 1 5/8-70 OHMS
 BULKHEAD MOUNT

UNLESS OTHERWISE SPECIFIED
 DIMENSIONS ARE IN INCHES AND INCLUDE
 CHEMICALLY APPLIED OR PLATED FINISHES

DECIMALS .X ± .05 .XX ± .01 .XXX ± .005	TOLERANCES	FRACTIONS ± 1/64 ANGLES ± 0° 30'	DRAWN M TANTILLO CHECKED	DATE 2-12-63	FINAL APPROVAL <i>[Signature]</i>	DATE
			ELECT. DES.	DATE	TCA-ST71625/QDL	
			MECH. DES. <i>[Signature]</i>	DATE 2/12/63	SHEET	REV. LTR.

Q'TY./UNIT	MODEL USED ON	ASS'Y. NO.
SCALE	CODE	S-401-70 ()

THE CONTENTS OF THIS DRAWING ARE THE EXCLUSIVE PROPERTY OF THE TECHNICAL MATERIEL CORP. ITS UNAUTHORIZED USE OR REPRODUCTION IN WHOLE OR IN PART IS STRICTLY FORBIDDEN.

NOTES