

**SPECIFICATIONS:**

SERIES - N TO CABLE 15/8 STYROFLEX  
 No. OF CONTACTS - ONE (1)  
 TYPE OF CONTACT - FEMALE  
 DIELECTRIC - TEFLON

**ELECTRICAL DATA:**

MAX. PEAK OPR. VOLT. -  
 NOMINAL IMPEDANCE - 70 OHMS

**CABLE ACCOMMODATIONS:**

TYPE - 15/8 STYROFLEX 70 OHMS  
 MAX. O.D. -

**MATERIAL:**

EXTERNAL PARTS - ALUMINUM  
 CONTACTS - FEMALE - BERYLLIUM, MALE - BRASS  
 CLAMP - STAINLESS STEEL

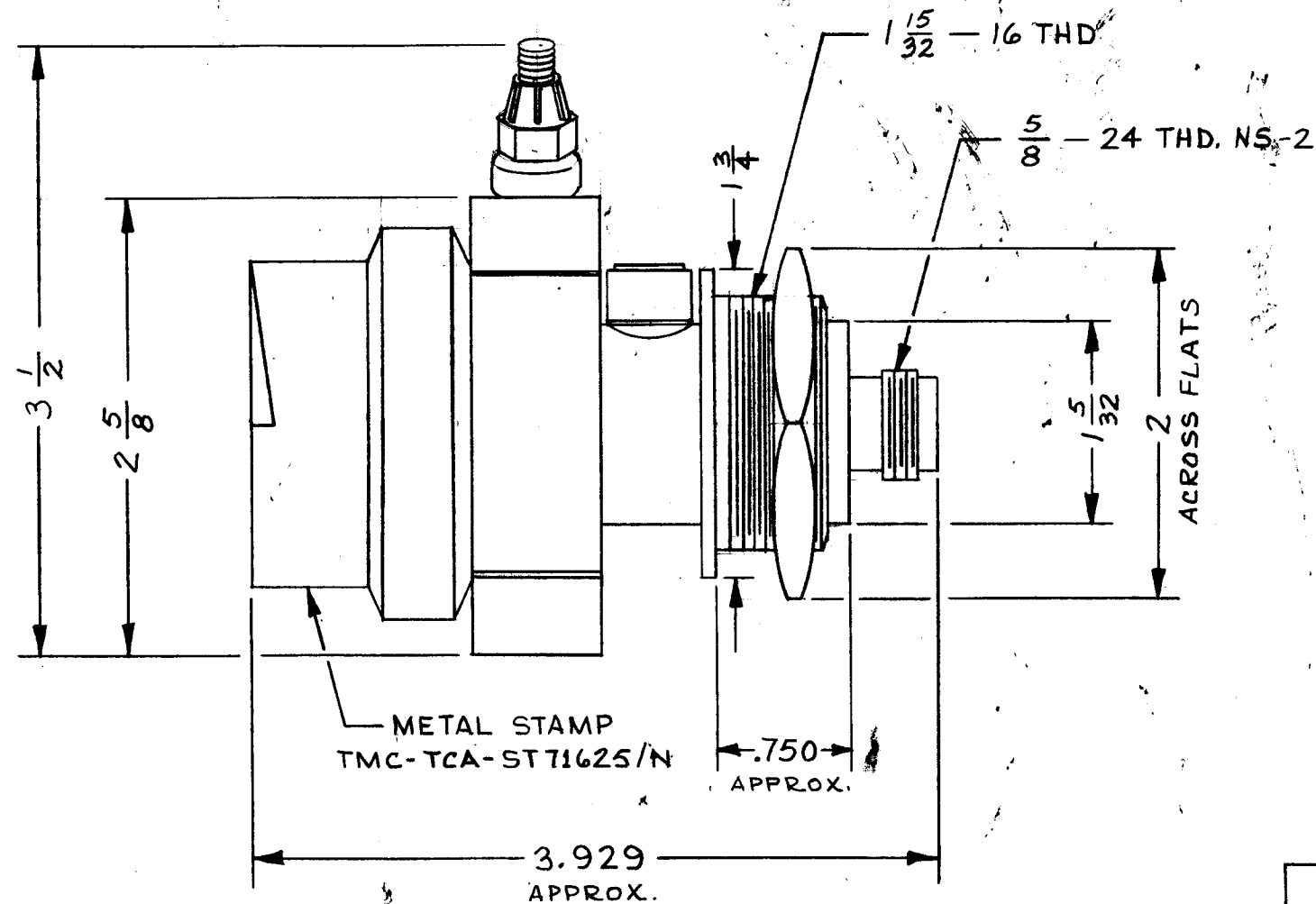
**FINISH:**

EXTERNAL PARTS - SILVER PLATE & RHODIUM FLASH  
 CONTACTS - SILVER PLATE & GOLD FLASH

TCA-ST71625/N

**REVISIONS**

SYM	DESCRIPTION	DATE	E.M.N. NO.	DRAFT	CHKD	APPD
-----	-------------	------	------------	-------	------	------



**NOTE:**

INSTALLATION INSTRUCTIONS -  
 S-345/TCA SERIES 15/8 STYROFLEX

REQ'D.	ITEM	PART NUMBER	DESCRIPTION	SYMBOL
X	1	GL-118	COMPOUND, SILICONE, DIELECTRIC	

**LIST OF MATERIAL**

MATERIAL <b>SEE NOTES</b>		THE TECHNICAL MATERIEL CORP. MAMARONECK, NEW YORK		
FINISH <b>SEE NOTES</b>		TITLE CONNECTOR, RECEPTACLE STYROFLEX TO N (FEMALE), 15/8 - 70 OHMS BULKHEAD MOUNT		
UNLESS OTHERWISE SPECIFIED DIMENSIONS ARE IN INCHES AND INCLUDE CHEMICALLY APPLIED OR PLATED FINISHES		DRAWN M.J. TANTILLO	DATE 2-8-63	FINAL APPROVAL <i>[Signature]</i>
DECIMALS .X ± .05 .XX ± .01 .XXX ± .005		TOLERANCES		DATE 2/11/63
FRACTIONS ± 1/64 ANGLES ± 0° 30'		ELECT. DES. <i>[Signature]</i>		DATE 2/11/63
		MECH. DES. <i>[Signature]</i>		DATE 2/11/63
		SHEET		REV. LTR.

**NOTES**

Q'TY./UNIT	MODEL USED ON	ASS'Y. NO.
SCALE	CODE	S-401-70 ( )
THE CONTENTS OF THIS DRAWING ARE THE EXCLUSIVE PROPERTY OF THE TECHNICAL MATERIEL CORP. ITS UNAUTHORIZED USE OR REPRODUCTION IN WHOLE OR IN PART IS STRICTLY FORBIDDEN.		