

5

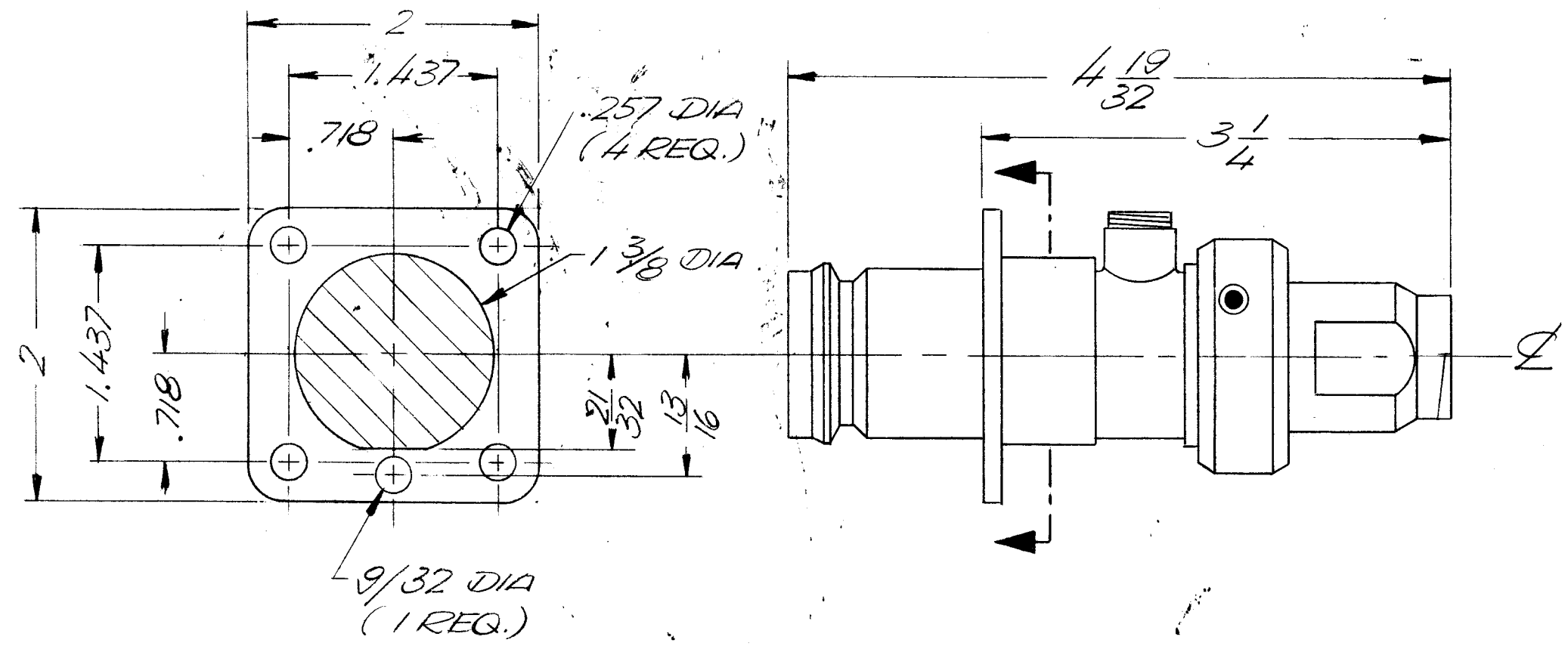
4

3

2

1

REVISIONS							
ZONE	LTR	DESCRIPTION	DATE	E.M.N.NO	DRAFT	CHKD	APPD
	Ø		5/9/73		CS		



SPECIFICATIONS

SERIES: QDL
 NO. OF CONTACTS: 1
 TYPE OF CONTACTS: FEMALE
 DIELECTRIC: TEFLON

ELECTRICAL DATA

MAX. PEAK OPR. VOLTAGE: 5000V
 NOMINAL IMPEDANCE: 50Ω

MATERIAL

EXTERNAL PARTS: BRASS
 CONTACT: BERYLLIUM COPPER

FINISH

EXTERNAL PARTS: SILVER PLATED & RHODIUM FLASH
 CONTACTS: SILVER PLATED & RHODIUM FLASH
 MATING ACCOMODATIONS : SERIES QDL

QDP-FX58752CS4		
QTY / UNIT	MODEL USED ON	ASS'Y NO.
APPLICATION		
CODE		
NOTICE TO PERSONS RECEIVING THIS DRAWING THE TECHNICAL MATERIEL CORPORATION claims proprietary right in the material disclosed hereon. This drawing is issued in confidence for engineering information only and may not be reproduced or used to manufacture anything shown hereon without permission from THE TECHNICAL MATERIEL CORPORATION to the user. This drawing is loaned for mutual assistance and is subject to recall at any time.		

UNLESS OTHERWISE SPECIFIED DIMENSIONS ARE IN INCHES AND INCLUDE CHEMICALLY APPLIED OR PLATED FINISHES

DECIMALS	FRACTIONS
.X ± .05	1/64
.XX ± .01	TOLS. ANGLES
.XXX ± .005	0° .30'

MATERIAL
SEE SPECS

FINISH
SEE SPECS

REQ'D	ITEM	PART NUMBER	DESCRIPTION	SYM.
LIST OF MATERIAL				
FINAL APPROVAL: <i>[Signature]</i> DATE: 5/9/73 MECH. DES. DATE: 8-5-70 ELECT. DES. DATE: CHECKED: <i>[Signature]</i> DATE: 8-5-70 DRAWN: <i>[Signature]</i> DATE: 8/5/70				
THE TECHNICAL MATERIEL CORP. MAMARONECK, NEW YORK CONNECTOR, ADAPTER FX TO QDL				
SIZE	CODE IDENT. NO.	DWG NO.	ISSUE	
B	82679	TCAFX5875/QDL	Ø	
SCALE	1:1	SHEET	OF	