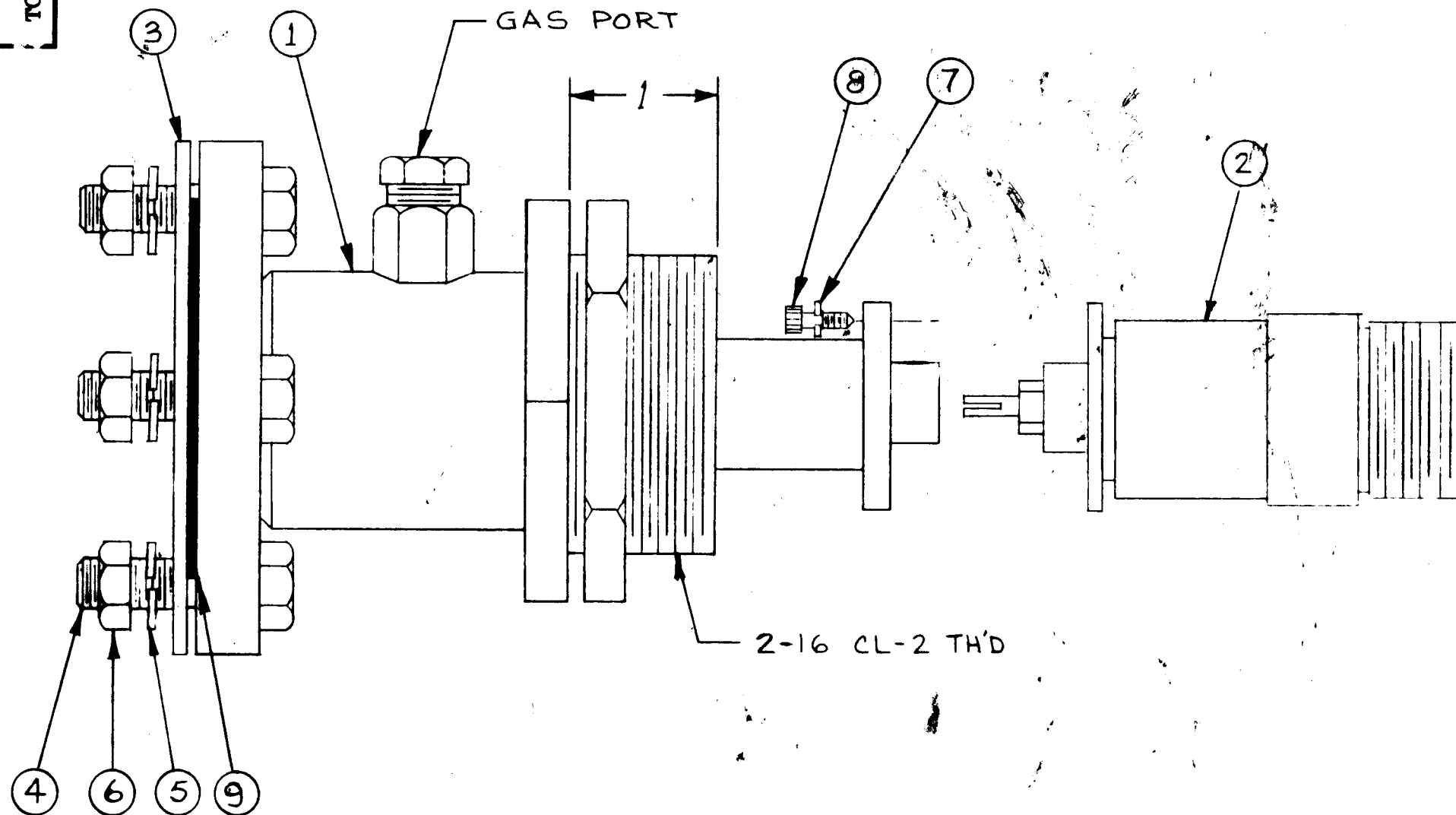


THE CONTENTS OF THIS DRAWING ARE THE EXCLUSIVE PROPERTY OF THE TECHNICAL MATERIEL CORP. ITS UNAUTHORIZED USE OR REPRODUCTION IN WHOLE OR IN PART IS STRICTLY FORBIDDEN.

TCA-EIA51625/LT

MODEL	SUPPLIED WITH STRAIGHT PLUG	SUPPLIED WITH ANGLE PLUG	CABLE
TCA-EIA 51625/LT	NONE	NONE	
TCA-EIA 51625/LT-1	PL 231	NONE	
TCA-EIA 51625/LT-2			



NOTES:

- ITEM SUPPLIED BY MANUFACTURER IN CLOTH BAG OR AS PART OF ASSEMBLY.
- 2-1/8" DIA. HOLE REQUIRED FOR MOUNTING.
- OVERALL DIMENSION IS APPROX. 7-5/8."

1	9	See Note 1	"O" Ring	
6	8	See Note 1	4-40 Cap Screw	
6	7	See Note 1	Split Lockwasher, Silicone Bronze	
4	6	See Note 1	5/16 Split Lockwasher, Silicone Bronze	
4	5	See Note 1	5/16 X 1/2 Hex Nut, Silicone Bronze	
4	4	See Note 1	5/16 X 1-1/2 Hex Head Bolt, Silicone Bronze	
1	3	See Note 1	Cover, Varnish Impregnated Superwood	
1	2	IL-270	Connector, Receptacle	
1	1	PO-249-50	Feed Thru 1-5/8 EIA	

REQ. UNIT	ITEM	PART NO.	DESCRIPTION	SYMBOL
THE TECHNICAL MATERIEL CORP. MAMARONECK, NEW YORK				
STOCK SIZE			CONNECTOR, RECEPTACLE, ELECTRICAL	
MATERIAL			(FEED THRU 1-5/8 EIA 50 OHM TO LT)	
		TYPE & TEMPER	HEAT TREAT. SPEC.	DRAWN
		FINISH & SPEC. NO.	ELEC. DES. APP.	MECH. DES. APP.
		TCA-EIA51625/LT		

ORIG. RELEASE FOR PROD 4/21/66							
SYM	DESCRIPTION	DATE	CH. NO.	DRAFTS	CHECKER	ENG. APP.	
UNLESS OTHERWISE SPECIFIED:		SCALE: NONE					
DIMENSIONS ARE IN INCHES		MAXIMUM ALLOWABLE TOLERANCES HAVE BEEN DETERMINED AND ANY DEVIATIONS WILL BE CAUSE FOR REJECTION.					
TOLERANCES ON FRACTIONS ± 1/64 DECIMALS ± .005 ANGLES ± 1/2°		REMOVE ALL BURRS AND SHARP EDGES					
		See Chart				2-21-66	
		MODEL		SECTION		ASS'Y. NO.	
		REQ. PER UNIT		USED ON		DATE	