

SPECIFICATIONS:

SERIES-QDL TO CABLE
 No. OF CONTACTS - ONE (1)
 TYPE OF CONTACT - FEMALE
 DIELECTRIC - TEFLON

ELECTRICAL DATA:

MAX. PEAK OPR. VOLT -
 NOMINAL IMPEDANCE - 70 OHMS

CABLE ACCOMMODATIONS:

TYPE - 1 5/8 STYROFLEX 70 OHMS
 MAX. O. D. -

MATERIAL:

EXTERNAL PARTS - ALUMINUM
 CONTACTS - FEMALE - BERYLLUM,
 MALE - BRASS
 CLAMP - STAINLESS STEEL

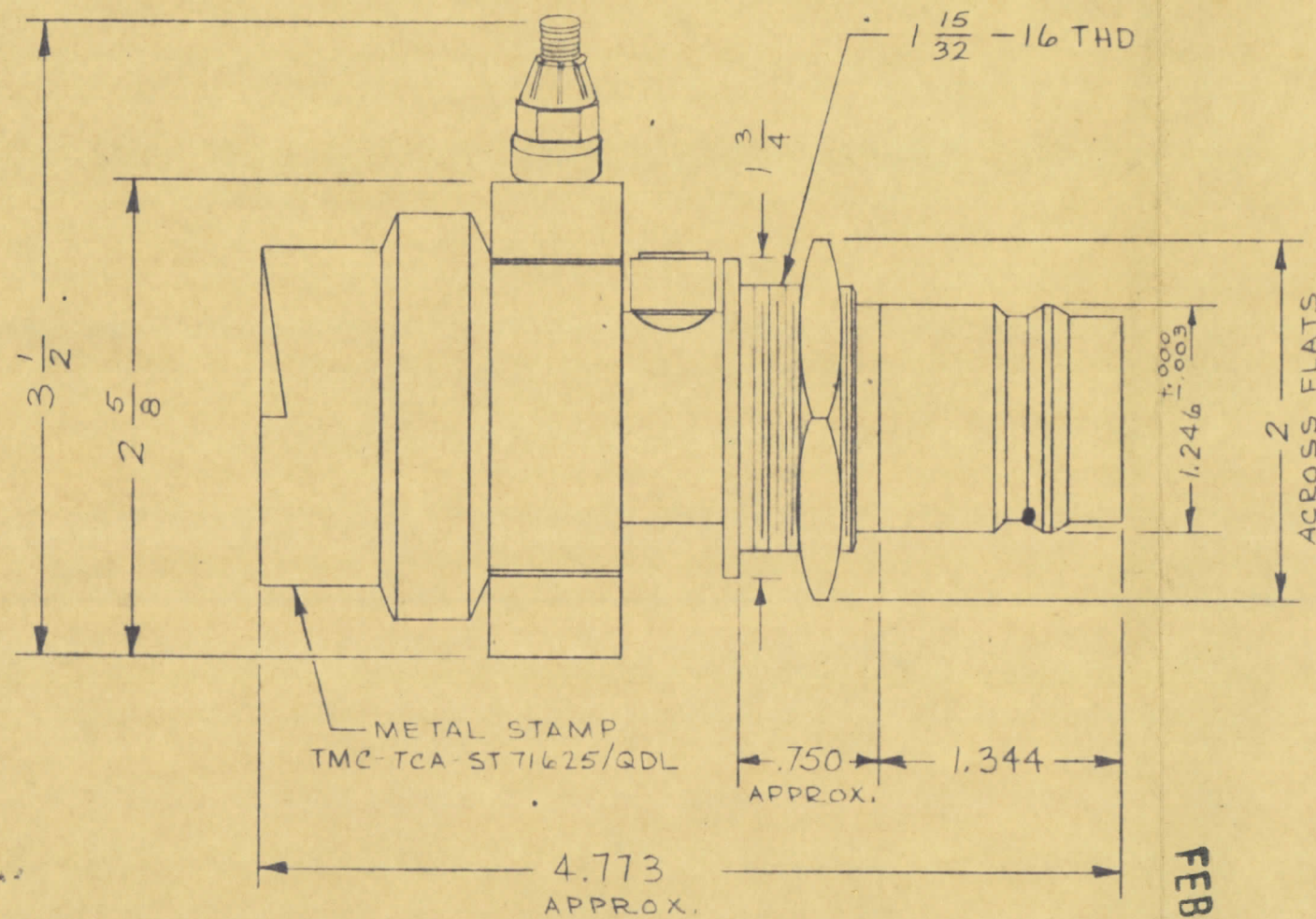
FINISH:

EXTERNAL PARTS - SILVER PLATE &
 RHODIUM FINISH
 CONTACTS - SILVER PLATE &
 GOLD FLASH

TCA-ST71625/QDL

REVISIONS

SYM	DESCRIPTION	DATE	E.M.N. NO.	DRAFT	CHKD	APPD
-----	-------------	------	------------	-------	------	------



DRAFTING DEPT.
 (Rita)

CHECK PRINT

FEB 19 1963

NOTE:
 INSTALLATION INSTRUCTIONS -
 S-345/TCA SERIES 1 5/8 STYROFLEX

X	1	GL-118	COMPOUND, SILICONE, DIELECTRIC
REQ'D.	ITEM	PART NUMBER	DESCRIPTION
MARTINENGO		LIST OF MATERIAL	
MATERIAL		THE TECHNICAL MATERIEL CORP. MAMARONECK, NEW YORK	
SEE NOTES		TITLE CONNECTOR, RECEPTACLE STYROFLEX TO QDL (FEMALE), 1 5/8-70 OHMS BULKHEAD MOUNT	
FINISH		SEE NOTES	
UNLESS OTHERWISE SPECIFIED DIMENSIONS ARE IN INCHES AND INCLUDE CHEMICALLY APPLIED OR PLATED FINISHES		DRAWN M TANTILLO	DATE 2-12-63
DECIMALS .X ± .05 .XX ± .01 .XXX ± .005		ELECT. DES.	
FRACTIONS ± 1/64 ANGLES ± 0° 30'		MECH. DES. <i>AM</i>	
TOLERANCES		DATE 2/12/63	FINAL APPROVAL <i>[Signature]</i>
THE CONTENTS OF THIS DRAWING ARE THE EXCLUSIVE PROPERTY OF THE TECHNICAL MATERIEL CORP. ITS UNAUTHORIZED USE OR REPRODUCTION IN WHOLE OR IN PART IS STRICTLY FORBIDDEN.		DATE	
		TCA-ST71625/QDL	
		SHEET	
		REV. LTR.	

NOTES

QTY./UNIT	MODEL USED ON	ASS'Y. NO.
SCALE	CODE	S-401-70 ()