

THE CONTENTS OF THIS DRAWING ARE THE EXCLUSIVE PROPERTY OF THE TECHNICAL MATERIEL CORP. ITS UNAUTHORIZED USE FOR REPRODUCTION IN WHOLE OR IN PART IS STRICTLY FORBIDDEN.

REQ. PER UNIT

USED ON

MODEL

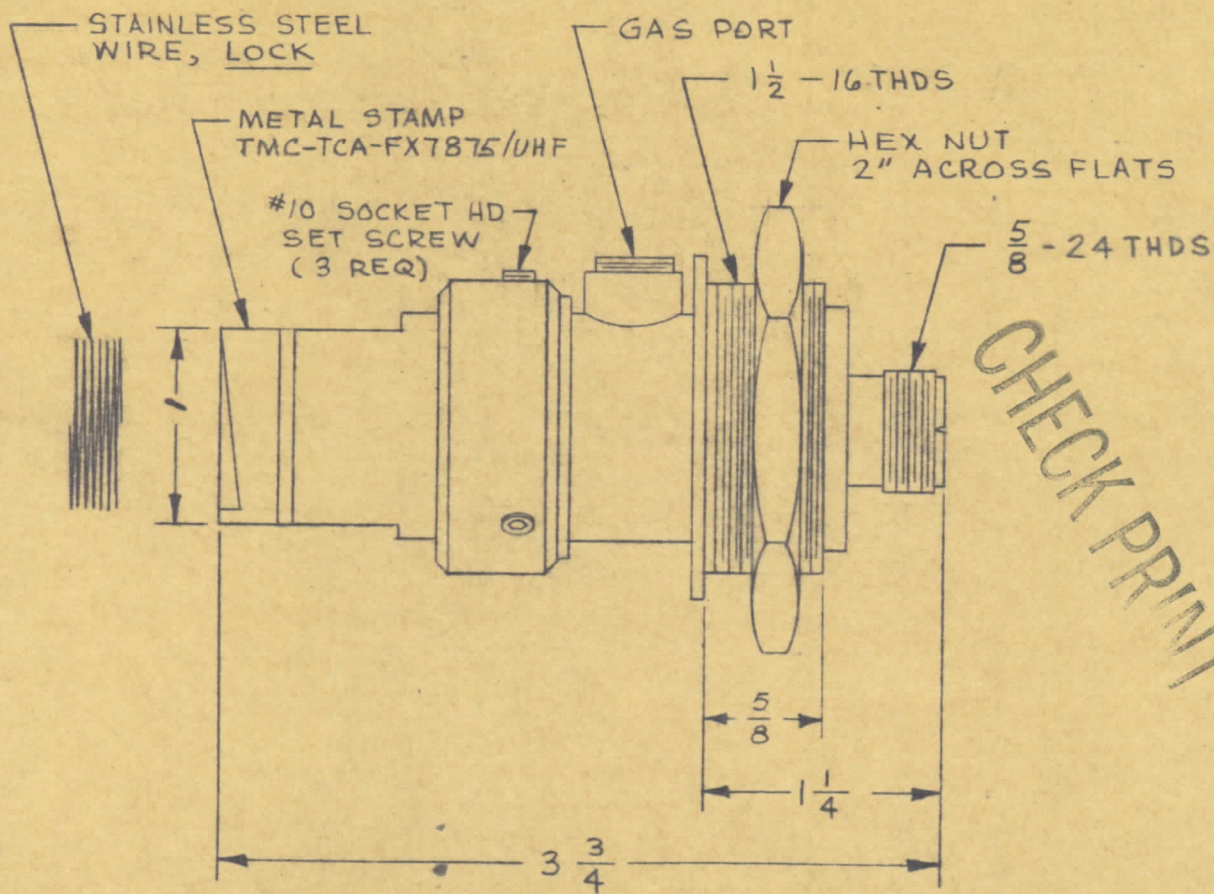
ASS'Y. NO.

DATE

1-18-63

TCA-FX7875/UHF

JAN 23 1963



CHECK PRINT

SPECIFICATIONS:
 Series - UHF
 No. of Contacts - ONE
 Type of Contact - FEMALE
 Dielectric - TEFLON

ELECTRICAL DATA:
 Max. Peak Opr. Volt -
 Freq. Limit -
 Nominal Impedance - 70 OHMS

CABLE ACCOMMODATIONS:
 Type - 7/8 FOAMFLEX

MATING ACCOMMODATIONS:
 Type - UHF

MATERIAL:
 External Parts - BRASS
 Contact - BRASS
 Gasket - "O" RING SILICON RUBBER

FINISH:
 External Parts - RHODIUM
 Contact - SILVER PLATE,
 GOLD FLASH

PANEL:
 Max. Thickness - 5/16

REQ.	ITEM	PART NO.	MARTINENGO	DESCRIPTION	SYMBOL
			THE TECHNICAL MATERIEL CORP. MAMARONECK, NEW YORK		
			CONNECTOR, ADAPTER RECEPTACLE		
			UHF TO 7/8 FOAMFLEX 70 OHMS		
			MTANTILLO		
			TYPE & TEMPER	HEAT TREAT. SPEC.	DRAWN
			SEE NOTES		CHECKED
			FINISH & SPEC. NO.		FINAL APPROVAL
			ELEC. DES. APP.		MECH. DES. APP.
			TCA-FX7875/UHF		

SYM	DESCRIPTION	DATE	CH. NO.	DRAFTS	CHECKER	ENG. APP.

DECIMALS	FRACTIONS	CODE
x ± .05	± 1/64	S401-70-
xx ± .01	ANGLES	
xxx ± .005	± 0° 30'	

UNLESS OTHERWISE SPECIFIED DIMENSIONS ARE IN INCHES AND INCLUDE CHEMICALLY APPLIED OR PLATED FINISHES

TOLERANCES

SCALE

UNLESS OTHERWISE SPECIFIED DIMENSIONS ARE IN INCHES AND INCLUDE CHEMICALLY APPLIED OR PLATED FINISHES

SCALE

UNLESS OTHERWISE SPECIFIED DIMENSIONS ARE IN INCHES AND INCLUDE CHEMICALLY APPLIED OR PLATED FINISHES