

THE CONTENTS OF THIS DRAWING ARE THE EXCLUSIVE PROPERTY OF THE TECHNICAL MATERIEL CORP. ITS UNAUTHORIZED USE FOR REPRODUCTION IN WHOLE OR IN PART IS STRICTLY FORBIDDEN.

REQ. PER UNIT

USED ON

MODEL

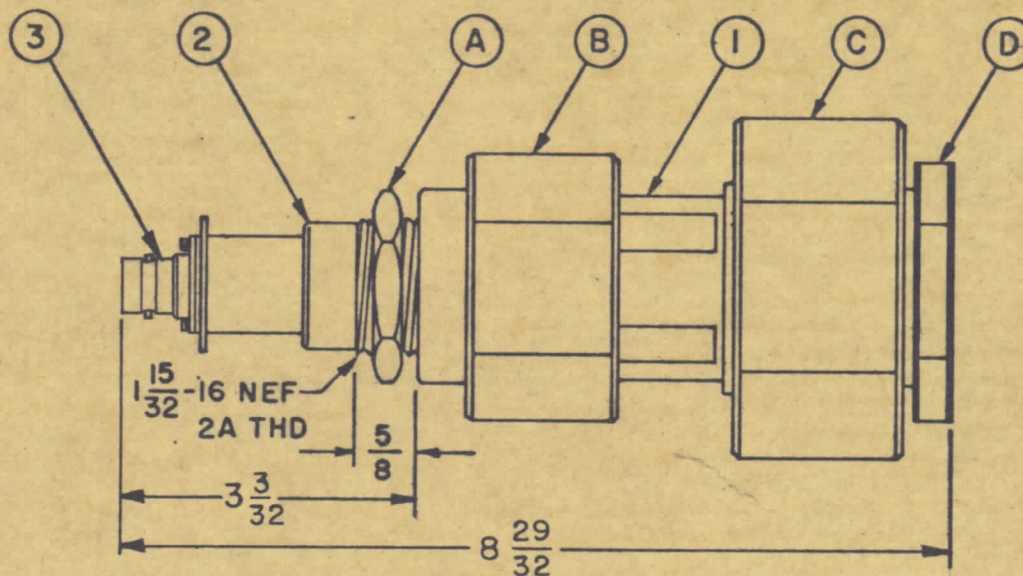
ASS'Y. NO.

DATE

TCA-85/C

10-18-62

TCA-85/C



NOTE:

1.

ITEM	ACROSS FLATS	ACROSS CORNERS
A	2	2 5/16
B	2 3/8	2 3/4
C	3	3 7/16
D	2	2 5/8

2. MOUNTING HOLE REQUIRED 1 1/2" DIA.
3. MAXIMUM PANEL THICKNESS 3/8".
4. ITEM 4, 5 & 6 SUPPLIED AS LOOSE ITEMS.

1	6	ID-282	INSTALLATION INSTRUCTION	
1oz.	5	GL-118	SILICONE COMPOUND	
1oz.	4	GL-117	ANTI-SEIZE COMPOUND	
1	3	JJ-269	CONNECTOR RECEPTACLE	
1	2	A-3085	CONNECTOR ADAPTER ASS'Y.	
1	1	A-113	END SEAL ASSEMBLY	

REQ. ITEM	PART NO.	DESCRIPTION	SYMBOL
-----------	----------	-------------	--------

STOCK SIZE

THE TECHNICAL MATERIEL CORP.  
MAMARONECK, NEW YORK  
CONNECTOR ADAPTER ASSEMBLY

SYM	DESCRIPTION	DATE	CH. NO.	DRAFTS	CHECKER	ENG. APP.
UNLESS OTHERWISE SPECIFIED DIMENSIONS ARE IN INCHES AND INCLUDE CHEMICALLY APPLIED OR PLOTTED FINISHES		SCALE				
DECIMALS X ± .05 XX ± .01 XXX ± .005	TOLERANCES	FRACTIONS ± 1/64 ANGLES ± 0° 30'	CODE			

MATERIAL		FINISH & SPEC. NO.		ELEC. DES. APP.		MECH. DES. APP.	
TYPE & TEMPER	HEAT TREAT. SPEC.	DRAWN	CHECKED	M.TANTILLO		 	
				TCA-85/C			