

SZ 100 9

A-(.187) ³/₁₆ DIA. 4 REQ'D.

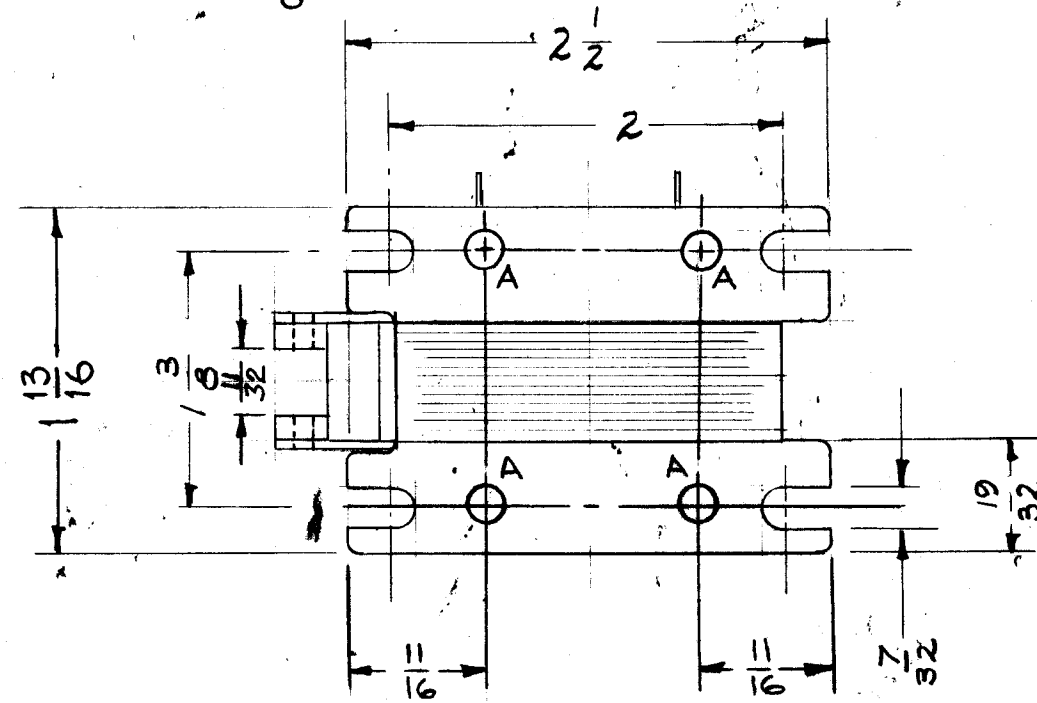
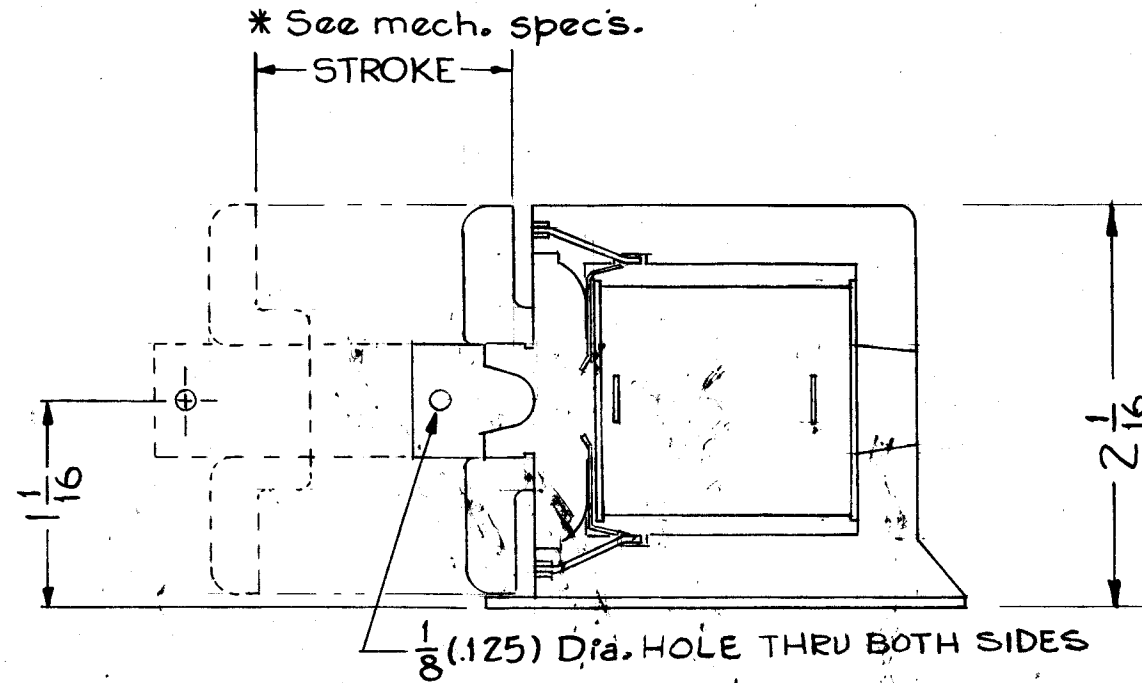
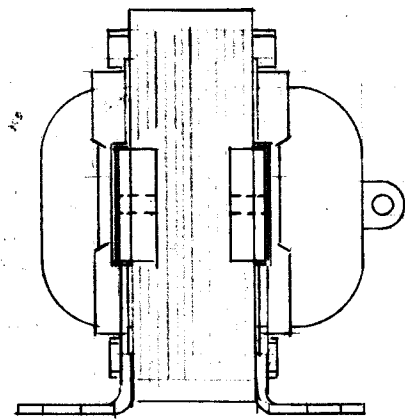
STANDARD DRAWING

ELECTRICAL SPECIFICATION:

COIL: 230V
 DUTY CYCLE: CONTINUOUS
 AMP: .2
 FREQ: 50 CPS OR 60 CPS PER TMC P/N
 OHMS ~ 78.2 APPROX.
 AMB. TEMP. ~ 24°C AT RATED LOAD
 MAX. AMB. TEMP. RISE ~ 85°C ABOVE AMB. TEMP AT RATED LOAD.

MECHANICAL SPECIFICATIONS

ADJUSTABLE STROKE ~ 1/8" Min to 1" Max.
 MAX. LIFT/OZ. - 1/8 STROKE - 145 OZ.



NOTICE TO PERSONS RECEIVING THIS DRAWING

THE TECHNICAL MATERIEL CORPORATION claims proprietary right in the material disclosed hereon. This drawing is issued in confidence for engineering information only and may not be reproduced or used to manufacture anything shown hereon without permission from THE TECHNICAL MATERIEL CORPORATION to the user. This drawing is loaned for mutual assistance and is subject to recall at any time.

Property of:

THE TECHNICAL MATERIEL CORPORATION
 MAMARONECK, NEW YORK

STANDARD DRAWING

MFG. REF: GUARDIAN ELEC. #18-CONT-230A

ISSUE	ITEM	CHANGED FROM	DATE	CH. NO.	DRAFTS	CHECKER	ENG. APP.
G		ELEC. SPECS UPDATED, ADDED PT. NO. EXAMPLE; "A" HOLES WERE (3)	6/15/66	16414	JL		
F	1	(1) "A" HOLE ADDED (1) "A" HOLE RELOCATED	4-30-65	13959			
E	1	1/8 DIA HOLE CLARIFIED	10-25-62	7516			
D	1	ADDED MFG. REF.	6-28-62	6775	R.T.		
C	1	11/32 D. ADDED	4-4-60	1959			
B	4	1-1/16 Dim 1/8 Dia. Added	11/6/59	1505	J.C.		
B	3	2 1/16 Dim was 2 3/32					
B	2	1-13/16 Dim was 1 25/32					
B	1	Elect + Mech. Specs. Added					
A	1	was .6 AC TYPO. ERROR	2/3/59	757			

SZ100-50
 BASIC P/N
 60CPS
 ADD ONLY WHEN
 50 CPS REQ'D

REQ. ITEM	PART NO.	DESCRIPTION	SYMBOL
		THE TECHNICAL MATERIEL CORP. MAMARONECK, NEW YORK	
STOCK SIZE		SOLENOID, RELAY WITH PLUNGER	
MATERIAL			
TYPE & TEMPER	HEAT TREAT. SPEC.	DRAWN	CHECKED
FINISH & SPEC. NO.		ELEC. DES. APP.	MECH. DES. APP.

REQ. PER UNIT	MODEL	PROJECT NO.	ASS'Y. NO.	DATE
1	GPT-10K	AR-109		5-20-59
USED ON				