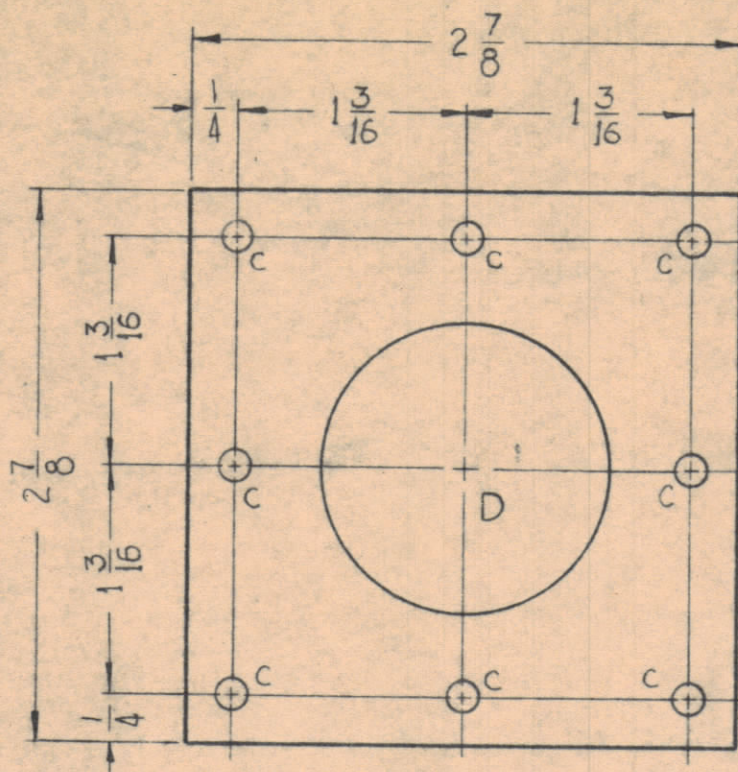


BACKING PLATE, CROUSE HINDS RECEPTACLE

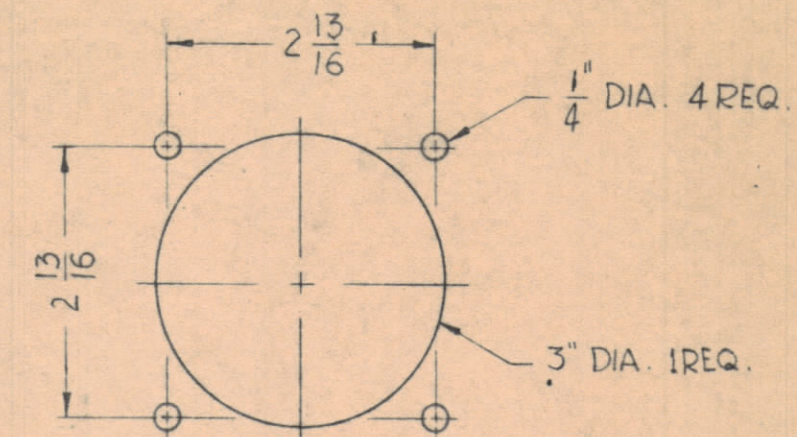
REQ. ITEM	PART NO.	DESCRIPTION	SYMBOL



SUPPORT PLATE, R.F. CONNECTOR

REQ. ITEM	PART NO.	DESCRIPTION	SYMBOL
8	3	NTH/0632/BN10	NUT
8	2	LWJ/06/MRN	LOCK WASHER
8	1	SCBS/0632/BN8	SCREW

HOLE:
A - 1/4" DIA. 8 REQ.



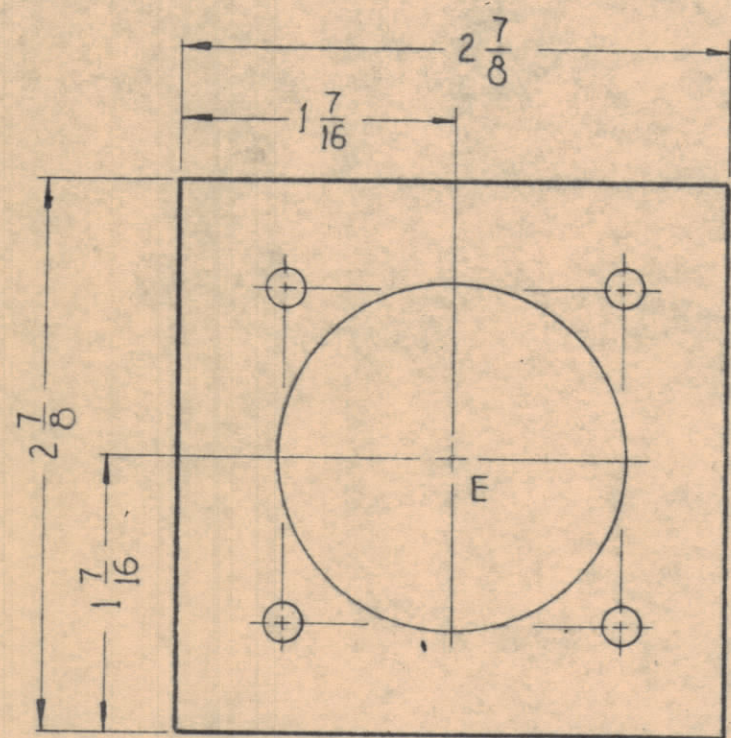
DETAIL-B
(1 REQ.)

MOUNTING FOR CROUSE HINDS RECEPTACLE
RPC-641-014-PO3A

HOLES:

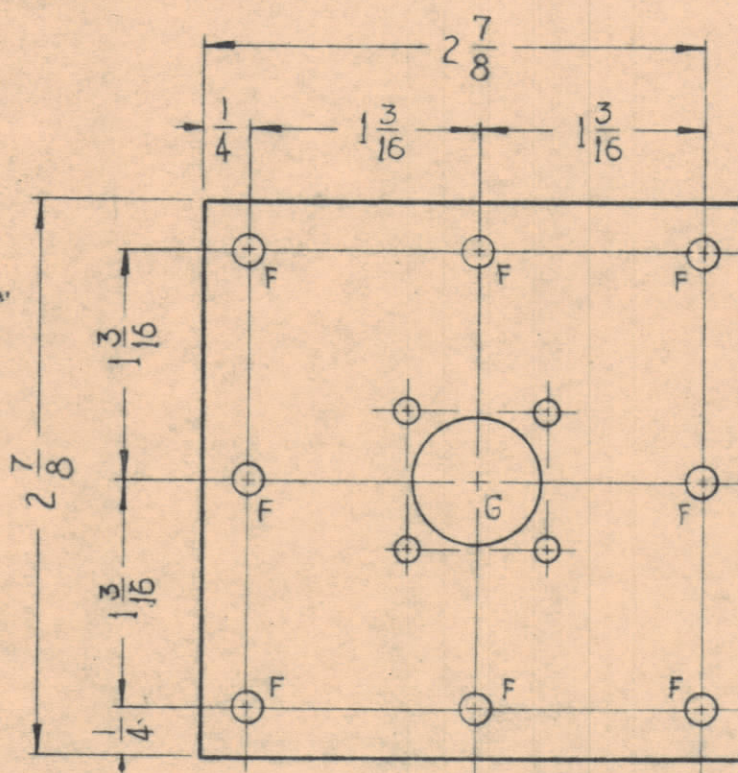
C - 5/32" DIA. 8 REQ.

D - 1 1/2" DIA. 1 REQ.



SUPPORT PLATE, CONTROL CONNECTOR

REQ. ITEM	PART NO.	DESCRIPTION	SYMBOL
4	3	NTH/0832/BN10	NUT
4	2	LWJ/08/MRN	LOCK WASHER
4	1	SCBS/0832/BN10	SCREW

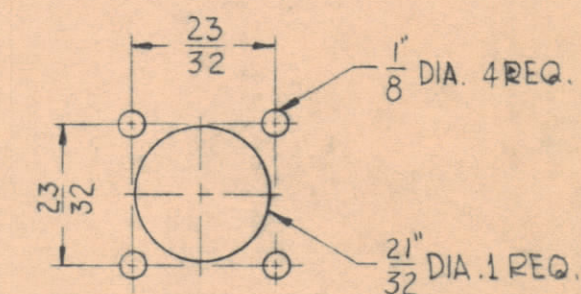


BACKING PLATE, R.F. CONNECTOR

REQ. ITEM	PART NO.	DESCRIPTION	SYMBOL
4	3	NTH/0440/BN8	NUT
4	2	LWJ/04/MRN	LOCK WASHER
4	1	SCBS/0440/BN6	SCREW

HOLE:

F - 5/32" DIA. 8 REQ.



DETAIL-G
(1 REQ.)

Orig in design

AUG 13 1962

SYM	ZONE	DESCRIPTION	DATE	CH. NO.	DRAFTS	CHECKER	ENG. APP.

UNLESS OTHERWISE SPECIFIED:
DIMENSIONS ARE IN INCHES
TOLERANCES ON
FRACTIONS ± 1/64 DECIMALS ± .005 ANGLES ± 1/2°
MAXIMUM ALLOWABLE TOLERANCES HAVE BEEN DETERMINED AND ANY DEVIATIONS WILL BE CAUSE FOR REJECTION.
REMOVE ALL BURRS & SHARP EDGES

REQ. PER UNIT	MODEL	SECTION	ASS'Y. NO.	DATE
	SYM-2003-1	PER/TU-2		1-26-62

REQ. ITEM	PART NO.	DESCRIPTION	SYMBOL
	094	TYP. ALL 4 PLATES	
		STOCK SIZE	
		ALUMINUM	TYP. ALL 4 PLATES
		MATERIAL	
	61ST	TYP. ALL 4 PLATES	
		TYPE & TEMPER	HEAT TREAT. SPEC.
		FINISH & SPEC. NO.	

THE TECHNICAL MATERIEL CORP.
MAMARONECK, NEW YORK
SHELTER #1
DRILLING FRONT PANEL

S. Gianfilippo
DRAWN CHECKED FINAL APPROVAL

ELEC. DES. APP. MECH. DES. APP. SHEET OF