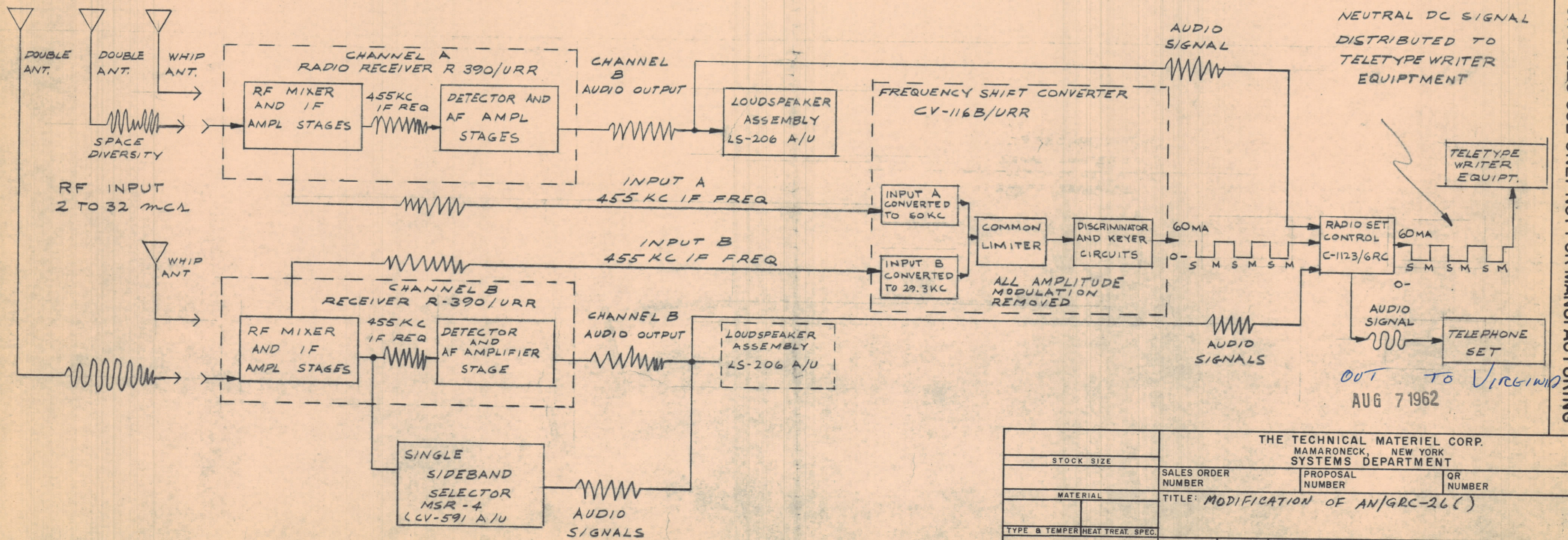


SY-1245
SYSTEM DWG. NO. NO. OF SH.



FOR SALES USE ONLY NOT FOR MANUFACTURING

THE TECHNICAL MATERIEL CORP. MAMARONECK, NEW YORK SYSTEMS DEPARTMENT			
STOCK SIZE	SALES ORDER NUMBER	PROPOSAL NUMBER	QR NUMBER
MATERIAL	TITLE: MODIFICATION OF AN/GRC-26 ()		
TYPE & TEMPER HEAT TREAT. SPEC.			
FINISH & SPEC NO.	DRAWN BY	DATE	FINAL APPROVAL
			SY-1245
			SYSTEM DWG. NO. NO. OF SH.