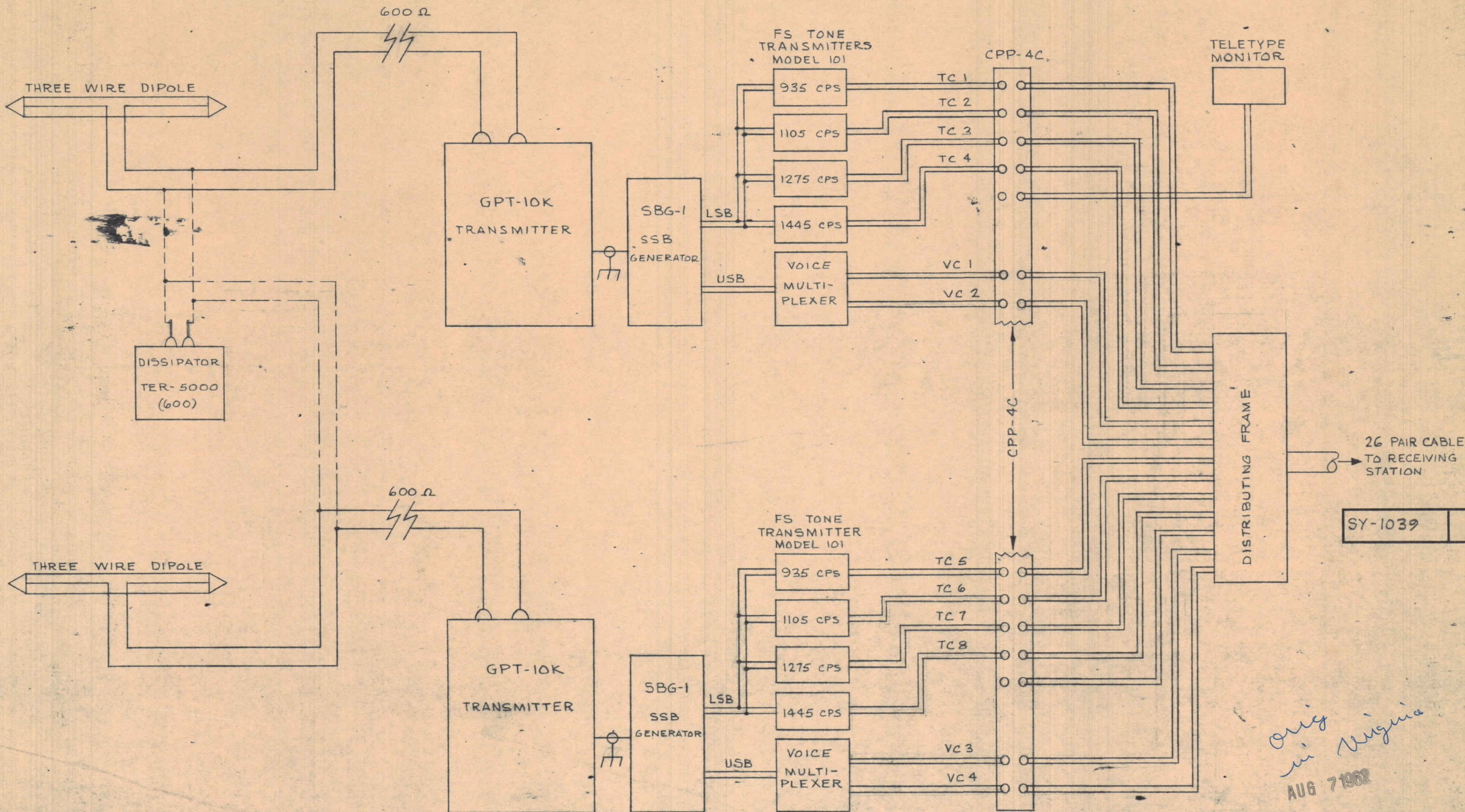


IF IT IS FOUND DESIRABLE TO CHANGE ANY TOLERANCE OR OTHER DETAIL SPECIFIED ON THIS DRAWING NOTIFY THE PURCHASER PROMPTLY.

MAXIMUM ALLOWABLE TOLERANCES HAVE BEEN DETERMINED AND DEVIATIONS WILL BE CAUSE FOR REJECTION. REMOVE ALL BURRS AND SHARP EDGES.



SY-1039

orig in Virginia
AUG 7 1962

ISSUE	ITEM	CHANGED FROM	DATE	CH. NO.	DRAFTS	CHECKER	ENG. APP.
TOLERANCES		SCALE:					
ALL OTHERS	DEC. DIM. ±	DRILL, PUNCH, COMMERCIAL STOCK SIZES AND MANUFACTURERS TOLERANCES ARE NOT INCLUDED.					
	FRAC. DIM. ±						
	ANGULAR DIM. ±						

REQ. PER UNIT	MODEL	PROJECT NO.	ASSY. NO.	DATE
	USED ON			

REQ. ITEM	PART NO.	DESCRIPTION	SYMBOL
THE TECHNICAL MATERIEL CORP. MAMARONECK, NEW YORK			
BLOCK DIAGRAM OF TYPICAL TRANSMITTING STATION - REGIONAL HF SYSTEM 'SE ASIA			
STOCK SIZE		MJT 5-11-60	
MATERIAL		DRAWN	
WEIGHT PER PC.		ELEC. DES. APP. <i>MJ</i>	
TYPE & TEMPER.		MECH. DES. APP.	
HEAT TREAT. SPEC.		CHECKED	
FINISH & SPEC. NO.		FINAL APPROVAL	
SY-1039			