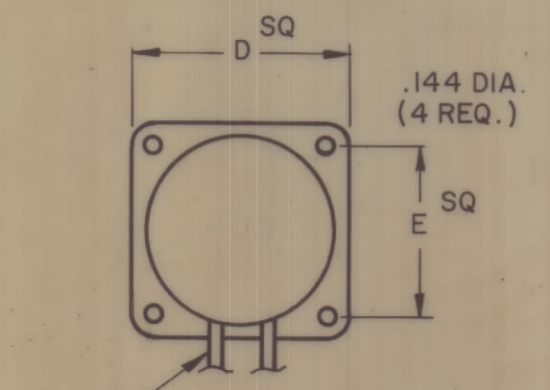


FLANGE MOUNTING SECTION "A"			FOOT MOUNTING SECTION "B"		
DESG	DIM	REMARKS	DESG	DIM	REMARKS
A	125/8	OVERALL SHAFT LENGTH	A		OVERALL SHAFT LENGTH
B		SHAFT LENGTH TO REAR PLATE	B		SHAFT LENGTH TO REAR PLATE
C		WIDTH CUP TO CLIP	C		WIDTH CLIP TO CUP
D	1 9/16	LENGTH & WIDTH OF FLANGE	F		DISTANCE FROM FRONT FOOT MTG. TO ARMATURE
E	1.250	HOLE MTG. OF FLANGE	H		FOOT MTG. SIDE VIEW
F	15/16	DISTANCE FROM FLANGE TO DUST COVER	J		SIDE VIEW OVERALL
			K		SIDE WIDTH OVERALL
			G		LENGTH FOOT TO FOOT

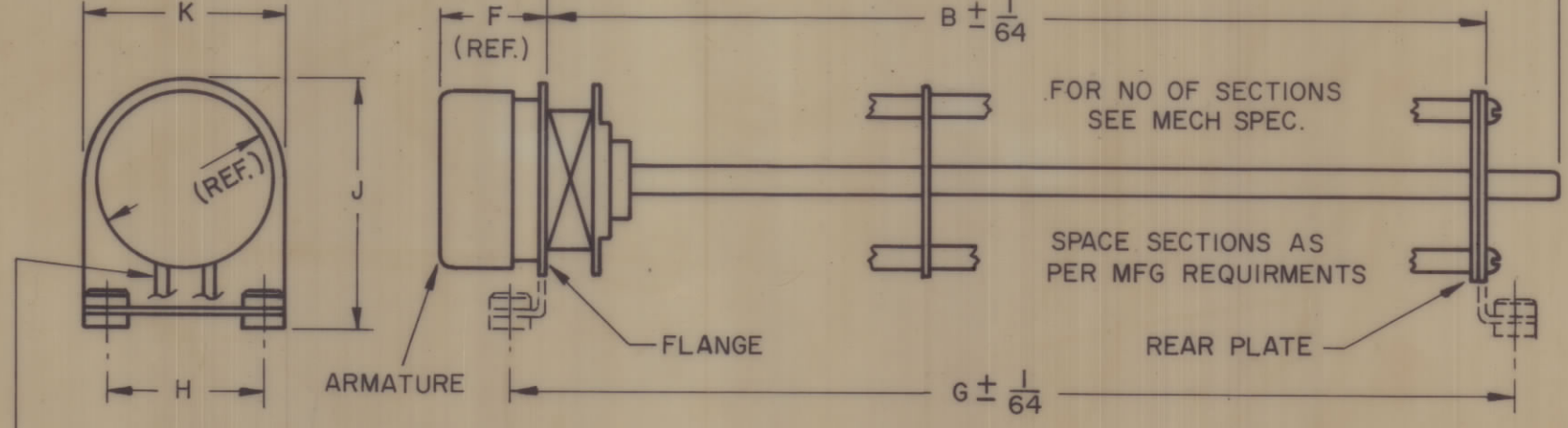
REVISIONS					DESCRIPTION	DATE	APPROVED
E.M.N.NO	DRAFT	CHKD	ZONE	LTR			

FLANGE MTG. SECTION "A"

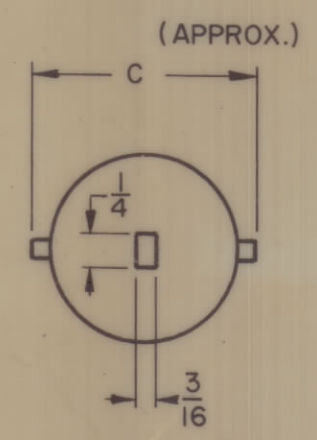


FOR TYPE OF CONNECTION WIRE OR LUG SEE MECH. SPEC.

FOOT MTG. SECTION "B"



FOR TYPE OF CONNECTION WIRE OR LUG SEE MECH. SPEC.



SWITCH SPECIFICATIONS

MECHANICAL

ROTATION OF SOLENOID (VIEWED FROM SOLENOID END): CW ___ CCW X

NO. OF SECTIONS: 4

NO. OF POSITIONS: 12

ANGLE OF THROW: 30°

TYPE MOUNTING: FLANGE X FOOT ___

SOLENOID CONNECTIONS: SOLDER LUG ___ WIRE X

CONTACTS:

NOTCH TYPE, SECTIONS: ___

NON-SHORTING SECTIONS: ___

SILVER PLATED BRASS: ___

SILVER ALLOY: ___

WAFER MATERIAL: PHENOLIC ___ OTHER BAKELITE

FINISH: COM ___, 50HR. ___ OR 200 HR. ___ SALT SPRAY

OPERATING TEMPERATURE: ___

WAFER TYPE: F OR EQUIV.

ELECTRICAL

CURRENT RATING: CARRY ___ AMPS RESISTIVE MAX.

BREAK @24 VOLTS: AMP RESISTIVE MAX

BREAK @115 VOLTS: AMP RESISTIVE MAX

DIELECTRIC STRENGTH: 1000V CLIP TO CLIP, 500V INSULATED CLIPS BACK TO BACK

COIL SPECIFICATIONS

SOLENOID SIZE: ___

COIL RESISTANCE @20°C: ___

VOLTAGE: 28VDC

GROSS STARTING TORQUE @20°C: ___

DUTY CYCLE: ___

ROTARY STROKE ANGLE: ___

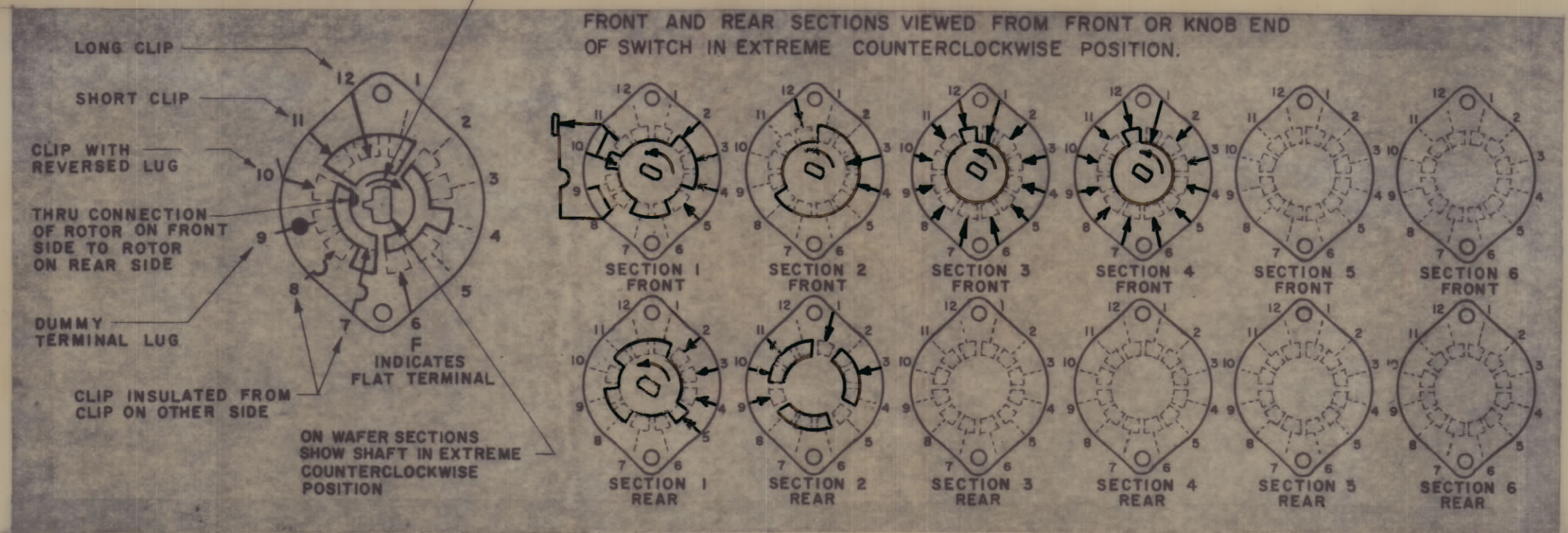
ELECTRIC STRENGTH: ___

DUST COVER: WITH X WITHOUT ___

NOTES:

- VIEW WAFERS FROM SOLENOID END OF SWITCH
- REAR SIDE OF WAFER VIEWED AS IF LOOKING THROUGH WAFERS, FROM SOLENOID END.
- ORIENTATION OF WAFER IS WITH PIN 1 IN THE ONE O'CLOCK OR TWELVE O'CLOCK POSITION, ACCORDING TO ROTATION, AS VIEWED FROM THE SOLENOID END WITH SOLENOID CONNECTING WIRES OR TERMINALS FACING DOWN.
- ROTATION IS IN DIRECTION OF ARROW VIEWED FROM SOLENOID END.
- WAFERS SHOWN IN NO. 1 OR FIRST OPERATING POSITION.

INSERT ARROW FOR ROTATION



SYMBOLS USED IN MARKING PRINT

SWITCH, ROTARY, SOLENOID 12 POSITIONS

1	MFE-1	
QTY / UNIT	MODEL USED ON	ASS'Y NO.
APPLICATION		
	CODE	

NOTICE TO PERSONS RECEIVING THIS DRAWING
 THE TECHNICAL MATERIEL CORPORATION claims proprietary right in the material disclosed herein. This drawing is issued in confidence for engineering information only and may not be reproduced or used to manufacture anything shown hereon without permission from THE TECHNICAL MATERIEL CORPORATION to the user. This drawing is loaned for mutual assistance and is subject to recall at any time.

QTY. REQ.	ITEM	PART NO.	DESCRIPTION	SYMBOL
O.P. LIST OF MATERIAL				
FINAL APPROVAL		DATE		
MECH. DES.		DATE		
ELECT. DES.		DATE		
CHECKED		DATE		
DRAWN		DATE		
G. EVANGELIST		12/21/71		
THE TECHNICAL MATERIEL CORP. MAMARONECK, NEW YORK				
CHANNEL SWITCH				
SIZE	CODE	IDENT NO.	DWG NO.	ISSUE
C	82679		SW 543	
SCALE				
				SHEET OF

SW 543

B

A