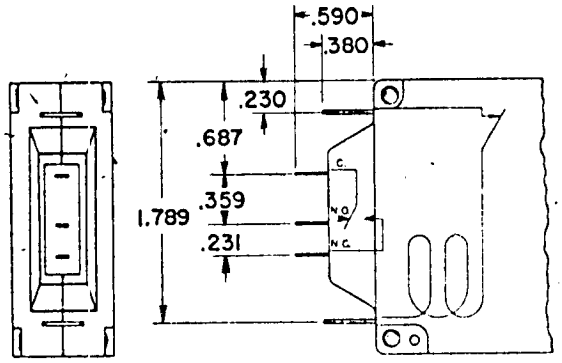
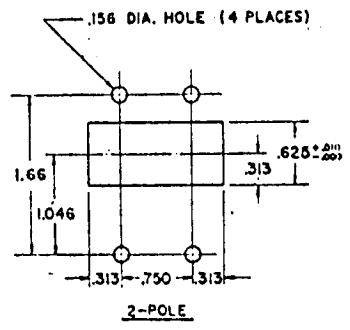
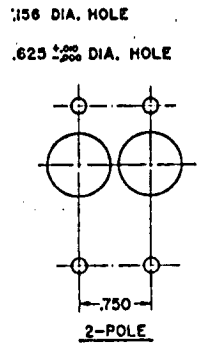
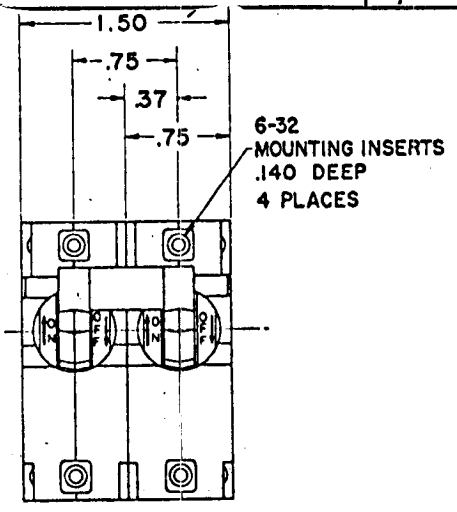
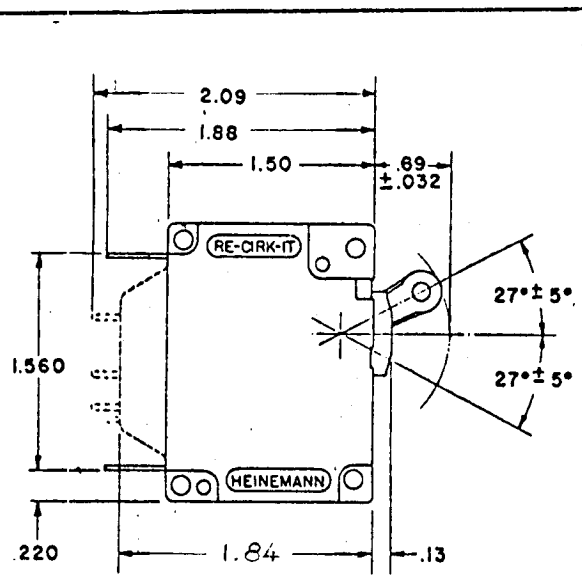


REQ. PER UNIT	USED ON			SW527	D
	MODEL	ASS'Y. NO.	DATE		
1	GPTR-10KYA	AX 5081	12/10/69		



**Notes on panel layout**

1. To accommodate a nameplate immediately above or below the breaker's handle, mount the breaker with two 6-32 flathead screws to preserve a flush surface over which the nameplate can be placed. Countersink the .156" mounting screw holes with a 92° countersink to a .268" diameter. Note: Panel thickness must be at least .062".
2. Common cutout holes cannot be used for breakers with color caps. Use individual mounting holes as shown

REQ.	ITEM	PART NO.	DESCRIPTION			SYMBOL							
			THE TECHNICAL MATERIEL CORP. MAMARONECK, NEW YORK										
			STOCK SIZE										
Ø	ORIGINAL RELEASE	12/10/69				CIRCUIT BREAKER							
X	EXP. RELEASE	12/10/69		KD	PZ								
ISSUE	ITEM	CHANGED FROM	DATE	CH. NO.	DRAFTS	CHECKER	ENG. APP.						
TOLERANCES			SCALE: 5401-58 (JA2-A2-10-2)										
DEC. DIM. ±			MAXIMUM ALLOWABLE TOLERANCES HAVE BEEN DETERMINED AND ANY DEVIATIONS WILL BE CAUSE FOR REJECTION. REMOVE ALL BURRS AND SHARP EDGES				TYPE & TEMPER	HEAT TREAT. SPEC.	DRAWN	CHECKED	FINAL APPROVAL		
FRAC. DIM. ±													
ANGULAR DIM. ±													
			FINISH & SPEC. NO.				ELEC. DES. APP.	MECH. DES. APP.	SW527				