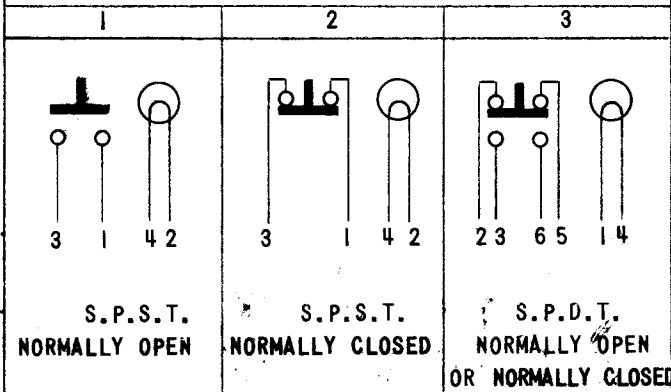


MOUNTING INSTRUCTIONS	
PANEL THICKNESS	SPACING WASHERS
.083	TWO
.125	ONE
.188	NONE

CIRCUIT SCHEMATICS
CONTACT ARRANGEMENTS

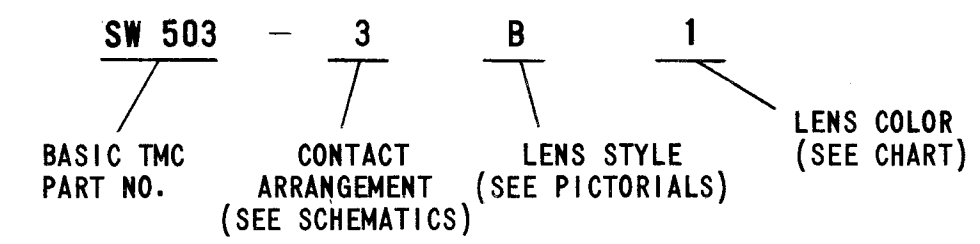


REVISIONS						
ZONE	LTR	DESCRIPTION	DATE	E.M.N.NO	DRAFT	CHKD APPD
	X	EXPERIMENTAL RELEASE	10/24/68			
	Ø	ORIG. RELEASE FOR PROD.	10/28/68	Ø	R.G.	

SPECIFICATIONS

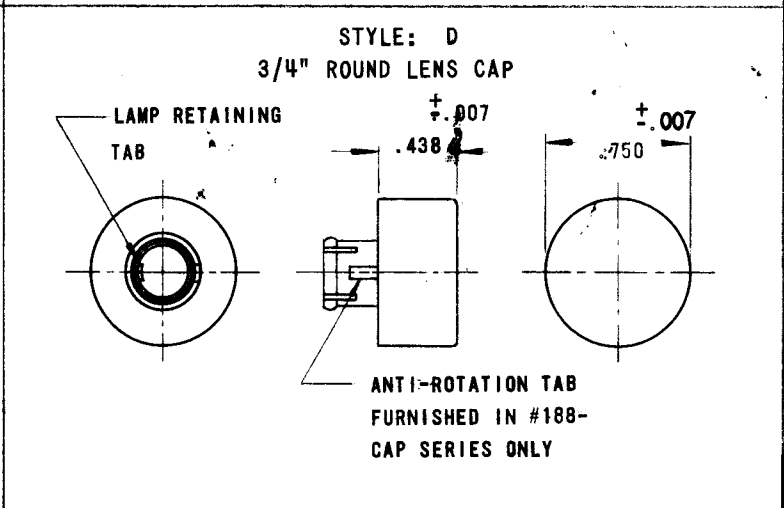
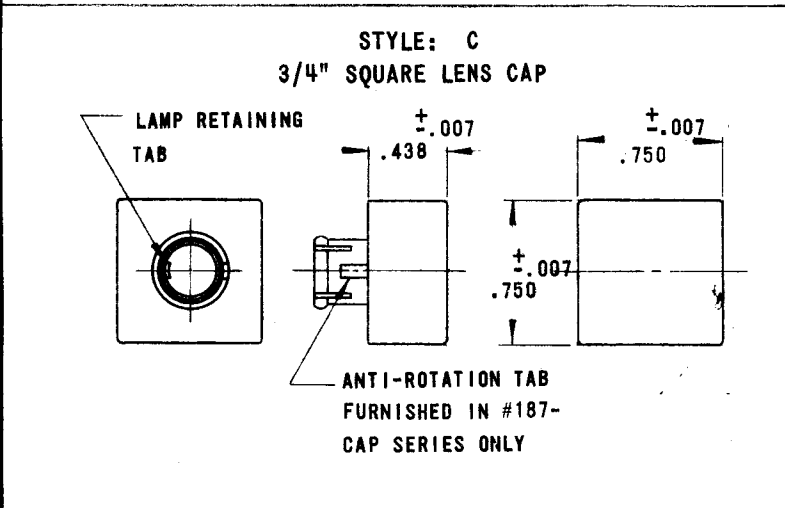
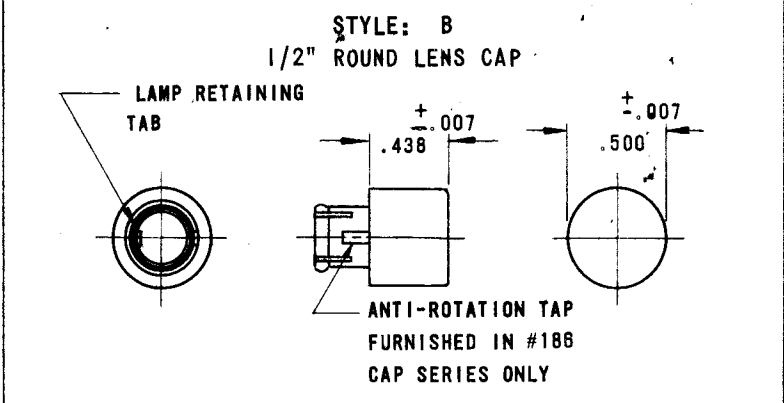
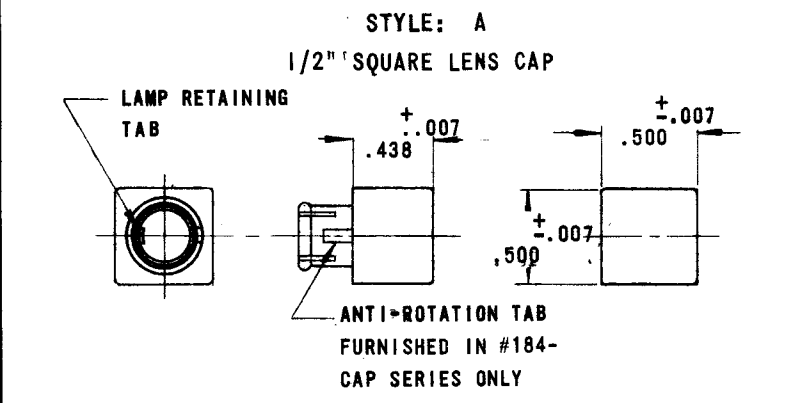
RATED: 3 AMPS, 125 VAC
 OPERATING FORCE: 24 OZS. APPROX.
 BUTTON TRAVEL: 5/64 APPROX
 ENCLOSURE: THE SWITCH ACTION & CONTACT PARTS ARE COMPLETELY ENCLOSED

TMC PART NUMBER SHALL APPEAR IN THE FOLLOWING FORMAT:



- 1 = SPST (NO)
- 2 = SPST (NC)
- 3 = SPDT
- L = LENS ONLY (SEE NOTE)

LENS NOTE: WHEN LENS ARE REQUIRED AS SPARES, USE LETTER "L" INSTEAD OF CONTACT ARRANGEMENT NUMBER WITHIN THE TMC PART NUMBER.



LENS FACE COLORS			
CODE	COLOR	CODE	COLOR
1	RED	5	WHITE TRANSLUCENT
2	GREEN	6	LIGHT YELLOW
3	YELLOW (AMBER)	8	IVORY
4	BLUE		

RTTD - 4
 QTY / UNIT
 MODEL USED ON
 ASS'Y NO.

APPLICATION
 CODE S 401 - 153

NOTICE TO PERSONS RECEIVING THIS DRAWING
 THE TECHNICAL MATERIEL CORPORATION claims proprietary right in the material disclosed hereon. This drawing is issued in confidence for engineering information only and may not be reproduced or used to manufacture anything shown hereon without permission from THE TECHNICAL MATERIEL CORPORATION to the user. This drawing is loaned for mutual assistance and is subject to recall at any time.

REF: TMC LAMP PART NUMBER B1110-10

REQ'D	ITEM	PART NUMBER	DESCRIPTION	SYM.
LIST OF MATERIAL				
THE TECHNICAL MATERIEL CORP. MAMARONECK, NEW YORK				
SWITCH, PUSH BUTTON, ILLUMINATED				
SIZE		CODE IDENT. NO.	DWG NO.	ISSUE
B		82679	SW 503	Ø
SCALE			SHEET	OF

UNLESS OTHERWISE SPECIFIED DIMENSIONS ARE IN INCHES AND INCLUDE CHEMICALLY APPLIED OR PLATED FINISHES

DECIMALS: .X ± .05, .XX ± .01, .XXX ± .005
 FRACTIONS: 1/64, ANGLES: 0° - 30'

FINAL APPROVAL: [Signature]
 MECH. DES. DATE: 10/28/68
 ELECT. DES. [Signature] DATE: 10/25/68
 CHECKED [Signature] DATE: 10/11/68
 DRAWN [Signature]