

SWITCH SPECIFICATIONS

MECHANICAL

NO. OF SECTIONS: 3 SECTION 1 IS A 12 POSITION NOTCH HOMING AND INCORP. A HOMING NOTCH
 NO. OF POSITIONS: 12 SECTIONS 2 & 3 ARE 1 POLE 12 THROW
 ANGLE OF THROW: 30°
 CONTACT MAT'L: SOLID SILVER ALLOY
 WAFER MAT'L: PHENOLIC
 FINISH: 50 HR. SALT SPRAY

ELECTRICAL

CURRENT: CARRY 5 AMPS
 BREAK @ 24±2 VDC: 2.5 AMPS RESISTIVE MAX.
 BREAK @ 115 VDC: 5 AMPS RESISTIVE MAX.
 DIELECTRIC STRENGTH: 1000 V CLIP TO CLIP
 500V INSULATED, CLIPS BACK TO BACK
 TEMP. 0° TO 60°C

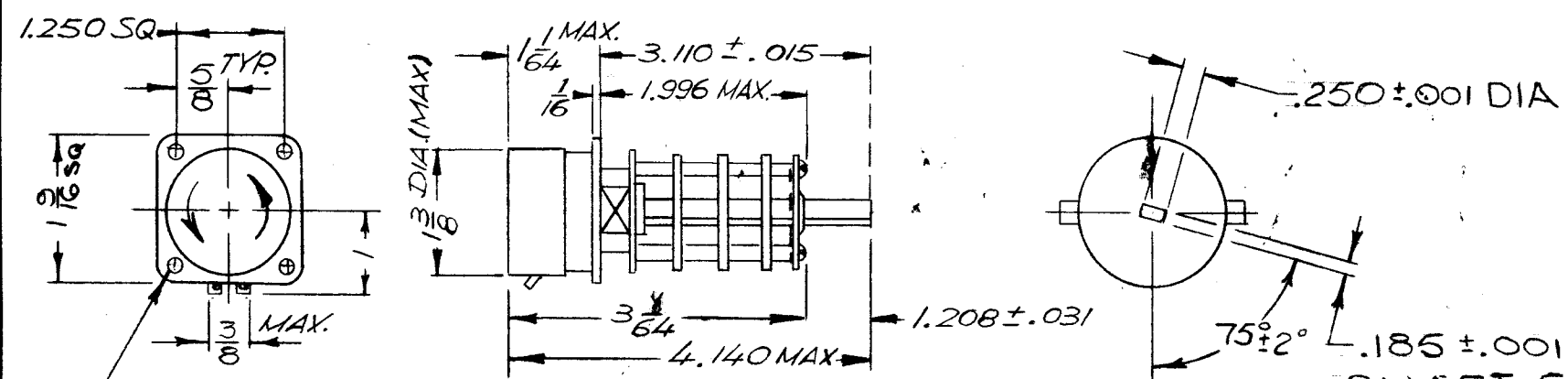
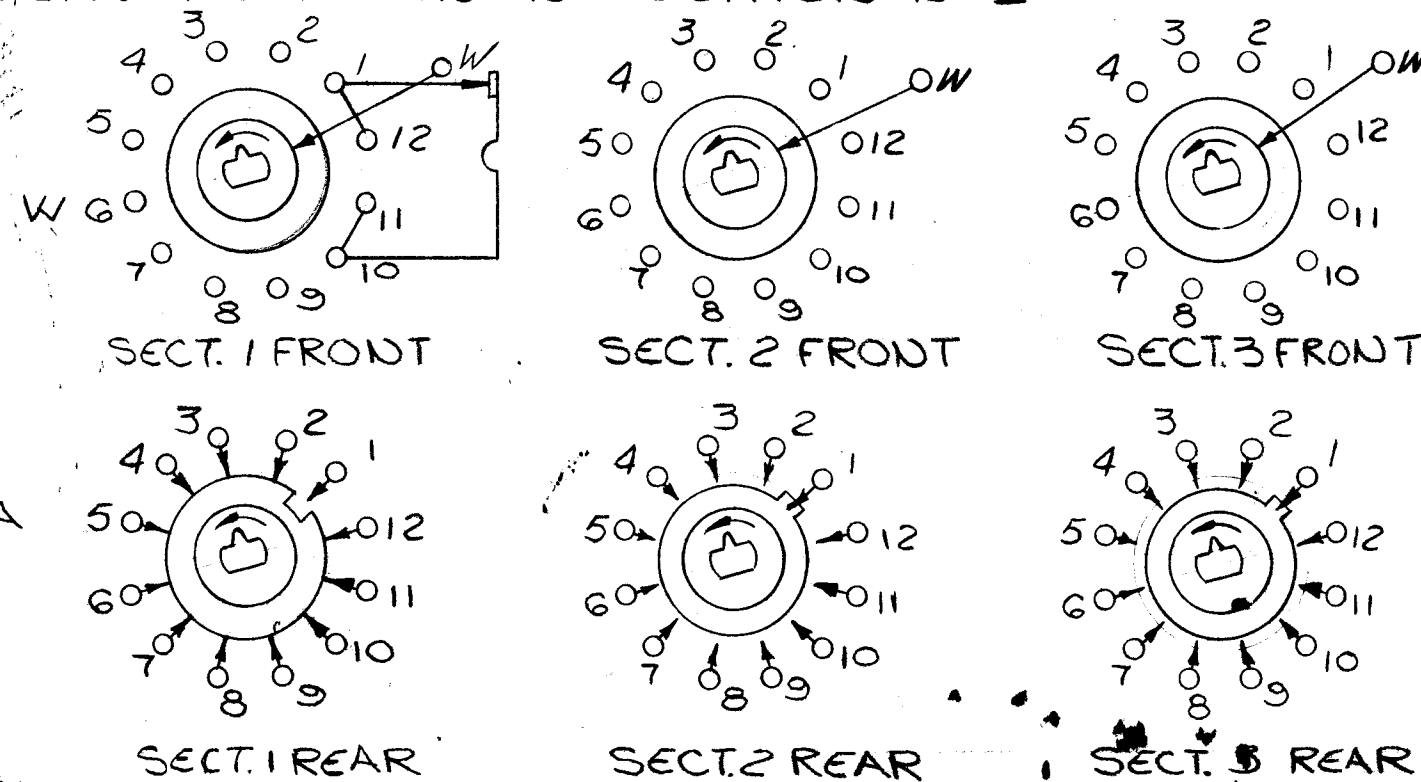
COIL SPECIFICATIONS

SOLENOID SIZE: 3B
 COIL RESISTANCE AT 20°C: 4.67 OHMS
 VOLTAGE: 24 VDC
 GROSS STARTING TORQUE: FOR 1/10 DUTY
 CYCLE AND 35° STROKE - 1.88 POUND INCHES

REVISIONS						
ZONE	LTR	DESCRIPTION	DATE	E.M.N.NO	DRAFT	CHKD APPD
	X	EXP. RELEASE	2-19-68		17.	FB
	Ø	ORIG. RELEASE FOR PROD.	5-31-68		R.G.	FB
	A	COMPLETELY REVISED	11/11/68	19090	K.L.	FB

NOTES:

1. VIEW WAFERS FROM SOLENOID END OF SWITCH.
2. REAR SIDE IS SHOWN, LOOKING THROUGH WAFER FROM SOLENOID.
3. WAFER IS ORIENTED WITH PIN 1 IN THE TWO O'CLOCK POSITION, AS VIEWED FROM SOLENOID WITH TERMINAL CONNECTING WIRES FACING DOWN.
4. ROTATION IS IN THE DIRECTION SHOWN BY THE ARROWS.
5. WAFERS ARE SHOWN IN POSITION NO. 1



SHAFT FLATS
WAFER VIEW

1	LPA-2	
QTY / UNIT	MODEL USED ON	ASS'Y NO.
APPLICATION		
	CODE	
NOTICE TO PERSONS RECEIVING THIS DRAWING THE TECHNICAL MATERIEL CORPORATION claims proprietary right in the material disclosed hereon. This drawing is issued in confidence for engineering information only and may not be reproduced or used to manufacture anything shown hereon without permission from THE TECHNICAL MATERIEL CORPORATION to the user. This drawing is loaned for mutual assistance and is subject to recall at any time.		
MATERIAL SEE SPEC.		
FINISH SEE SPEC.		

REQ'D	ITEM	PART NUMBER	DESCRIPTION	SYM.
F. BUDETTI LIST OF MATERIAL				
UNLESS OTHERWISE SPECIFIED DIMENSIONS ARE IN INCHES AND INCLUDE CHEMICALLY APPLIED OR PLATED FINISHES				
FINAL APPROVAL	DATE	THE TECHNICAL MATERIEL CORP.		
MECH. DES.	DATE	MAMARONECK, NEW YORK		
ELECT. DES.	DATE	SWITCH, ROTARY, SOLENOID		
CHECKED	DATE	SIZE	CODE IDENT. NO.	DWG NO.
DRAWN	DATE	B	82679	SW459
		ISSUE	4	
SCALE NONE			SHEET OF	