

STANDARD DRAWING

SWITCH TYPES	NO. OF STATIONS											
	1	2	3	4	5	6	7	8	9	10	11	12
A CONT. ARRAN. TYPE OF ACT.	OC M	OC M	OC M	OC M	OC M	OC M	OC M	OC M	OC M			
B CONT. ARRAN. TYPE OF ACT.	OC M	OC M	OC PP									
C CONT. ARRAN. TYPE OF ACT.	OC PP											

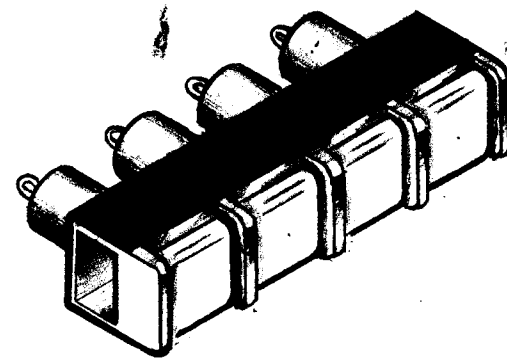
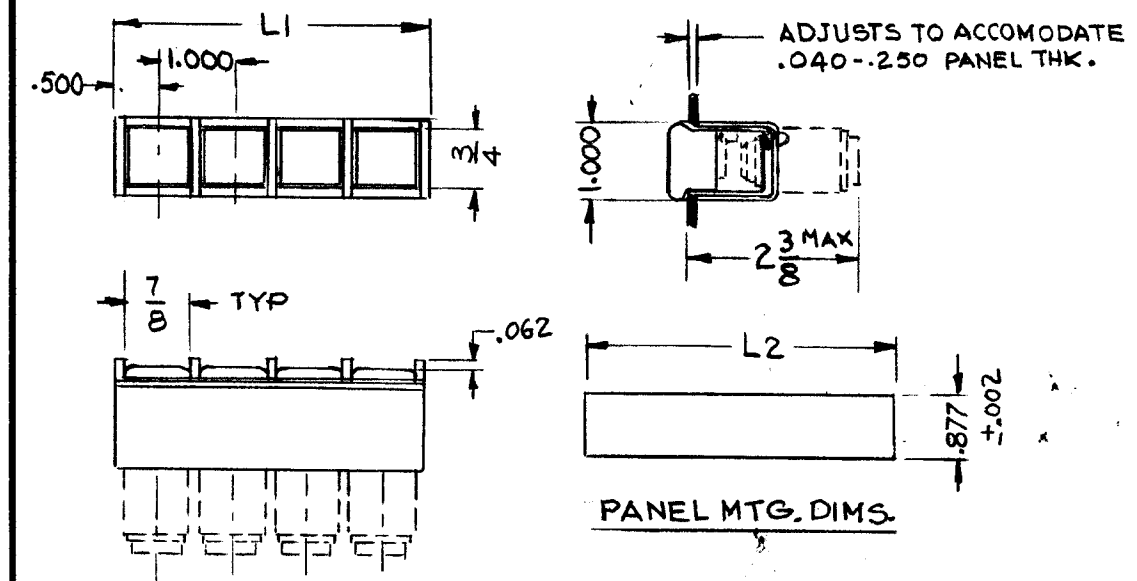
SW410 A

REVISIONS					
SYM	DESCRIPTION	DATE	E.M.N. NO.	DRAFT	CHKD
X1	COMPLETELY REVISED & REDRAWN	9/9/65	X1	<i>[Signature]</i>	
Ø	ORIGINAL RELEASE FOR PROD.	9/14	Ø	<i>[Signature]</i>	
A	USED W/NOTE ADDED (SW10034)	4-10-67	—	L.A.K.	<i>[Signature]</i>

CONTACT ARRANGEMENT		
LETTER	DESCRIPTION	SYMBOL
NO	NORMALLY OPEN	
NC	NORMALLY CLOSED	
OC	DPST ALTERNATE ACTION	

NO. OF STATIONS	LENGTH	
	L1	L2
1	1.100	1.110
2	2.100	2.110
3	3.100	3.110
4	4.100	4.110
5	5.100	5.110
6	6.100	6.110
7	7.100	7.110
8	8.100	8.110
9	9.100	9.110
10	10.100	10.110
11	11.100	11.110
12	12.100	12.110

LETTER	ACTION	DESCRIPTION
M	MOMENTARY INDEPENDENT	PUSH BUTTON HAS MOMENTARY ACTION AND INDEPENDENT OF OTHER SWITCHES.
MI	MOMENTARY INTERLOCK	PUSH BUTTON HAS MOMENTARY ACTION BUT ONLY 1 PUSH BUTTON CAN BE PRESSED AT ONE TIME.
LI	LOCKING AND INTER-LOCKING	EACH PUSH BUTTON LOCKS DOWN WHEN DEPRESSED, IS RELEASED BY ANY OTHER PUSH BUTTON IN THE ASS'Y. ONLY 1 PUSH BUTTON CAN BE DEPRESSED AT A TIME.
PP	PUSH ON PUSH OFF	PUSH BUTTON LOCKS DOWN WHEN DEPRESSED, IS RELEASED BY PUSHING IT AGAIN. ONLY 1 PUSH BUTTON CAN BE DEPRESSED AT A TIME.



SPECIFICATIONS
 OPERATING PRESSURE: 8-24 OZ.
 CONTACT RATING: 2 AMPS RESISTIVE- .05 AMPS INDUCTIVE (L/R=.026) AT 30 VDC OR 125 VAC.
 MATERIAL & FINISH; SEE PICTORIALLY
 TEMPERATURE RANGE: -50°C TO + 85°C

TMC PART NUMBER SHALL BE IN THE FOLLOWING FORM:

USED (SWITCH-SW10034
 WITH BULBS-B1110
 LENS- L1112

BASIC PIN SW410 A 4
 SWITCH NO. OF STATIONS
 TYPE (see chart)

MECHANICAL SPECIFICATIONS
 FRAME- STEEL, BLACK ANODIZED
 BEZEL FINISH: SATIN CHROME PLATE

NOTES

	RASB-1	
	RARB-1	9
Q'TY./UNIT	MODEL USED ON	ASS'Y. NO.
SCALE	CODE	
DO NOT SCALE	C	5401-393 (SERIES 2)

THE CONTENTS OF THIS DRAWING ARE THE EXCLUSIVE PROPERTY OF THE TECHNICAL MATERIEL CORP. ITS UNAUTHORIZED USE OR REPRODUCTION IN WHOLE OR IN PART IS STRICTLY FORBIDDEN.

REQ'D.	ITEM	PART NUMBER	DESCRIPTION	SYMBOL
LIST OF MATERIAL				
MATERIAL		THE TECHNICAL MATERIEL CORP. MAMARONECK, NEW YORK		
FINISH		TITLE SWITCH, PUSHBUTTON, SINGLE ROW		
UNLESS OTHERWISE SPECIFIED DIMENSIONS ARE IN INCHES AND INCLUDE CHEMICALLY APPLIED OR PLATED FINISHES		DRAWN <i>[Signature]</i> CHECKED <i>[Signature]</i> ELECT. DES. <i>[Signature]</i> MECH. DES. <i>[Signature]</i>	DATE 6/13/65 DATE 9/14/65 DATE 9/14/65	FINAL APPROVAL <i>[Signature]</i> DATE 9/14/65 SHEET SW410 REV. LTR. A