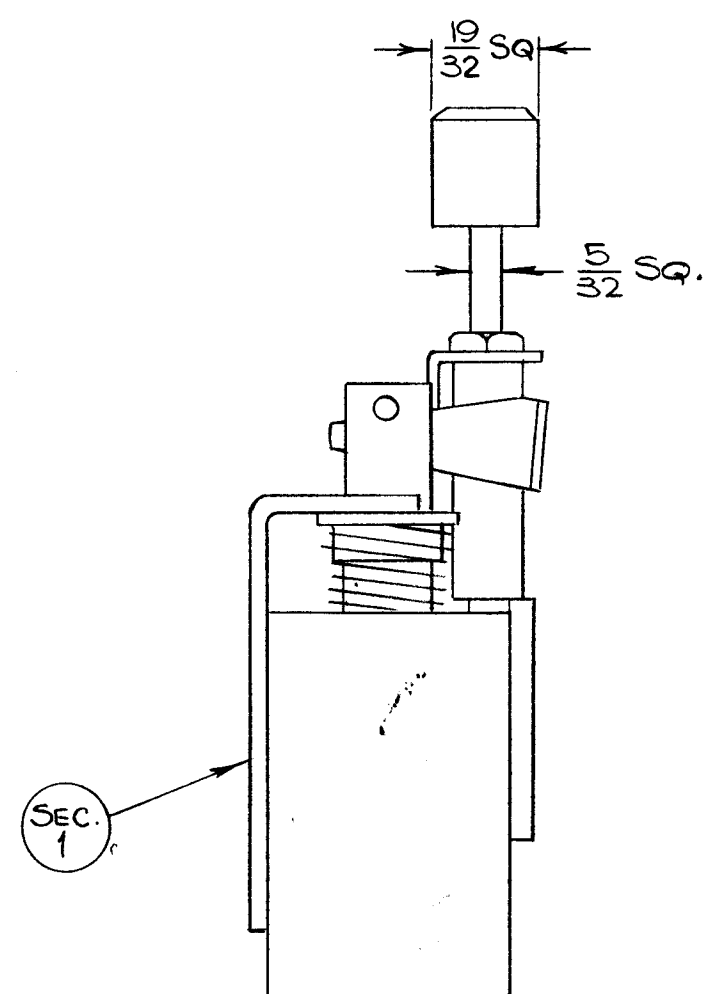


SW404

REVISIONS						
SYM	DESCRIPTION	DATE	E.M.N. NO.	DRAFT	CHKD	APPD
Ø	ORIGINAL RELEASE FOR PRODUCTION	8-3-65	#			



- NOTES:**
- CONTACTS: 2A POS. 1-5, 1A POS. 6 SEC. 1.
  - BUTTONS: POS. 1-5 WHITE, 6 GREEN, 7 RED  
W/42 DC 24-28V SOLENOID REL.
  - W/POS. 6 NOM. (INDEPENDENT)
  - W/POS. 7 NOM. REL.
  - ENGR: (AS SHOWN)

RTDA-1		ASS'Y. NO.
Q'TY./UNIT	MODEL USED ON	5401-365
SCALE	CODE	(10B-7862-759)

THE CONTENTS OF THIS DRAWING ARE THE EXCLUSIVE PROPERTY OF THE TECHNICAL MATERIEL CORP. ITS UNAUTHORIZED USE OR REPRODUCTION IN WHOLE OR IN PART IS STRICTLY FORBIDDEN.

REQ'D.	ITEM	PART NUMBER	DESCRIPTION	SYMBOL
<b>EATON LIST OF MATERIAL</b>				
MATERIAL		THE TECHNICAL MATERIEL CORP. MAMARONECK, NEW YORK		
FINISH		TITLE SWITCH, PUSHBUTTON 7 POSITION		
UNLESS OTHERWISE SPECIFIED DIMENSIONS ARE IN INCHES AND INCLUDE CHEMICALLY APPLIED OR PLATED FINISHES		DRAWN H. AUSTIN	DATE 6-21-65	FINAL APPROVAL <i>[Signature]</i>
		CHECKED <i>[Signature]</i>	DATE 7-27-65	DATE 7/27/65
		ELECT. DES. W. JORDAN	DATE 7/27/65	REV. LTR. Ø
		SHEET SW404		

NOTES