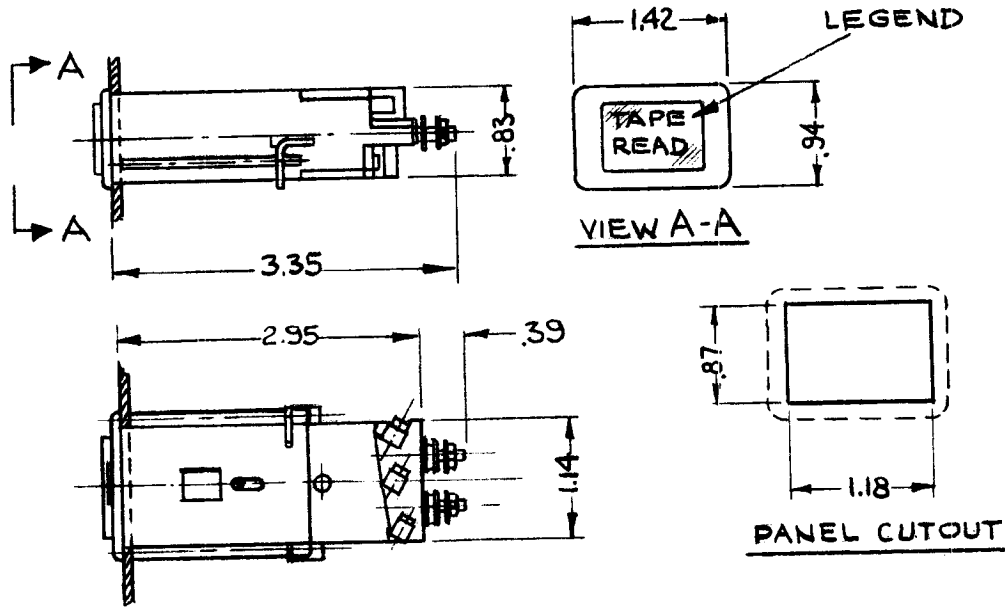


					REQ. PER UNIT	USED ON			SW371	A
					1	MODEL	ASS'Y. NO.	DATE		
						RTPA-1	A3856	12-11-64		
TMC P/N	MFG P/N	CONTACT ARRANGEMENT	ILLUMINATED	BUTTON COLOR	LAMP VOLT	LEGEND	LETTERING HEIGHT			
SW371-1	02111	SPDT MOMENTARY	NO	GREEN	—	TAPE READ	5/32			
SW371-2	02121	SPDT MOMENTARY	YES	GREEN	24	TAPE READ	5/32			



SPECS:
 TYPE: PUSH BUTTON
 CONTACT ARR: SEE CHART
 CURRENT RATING MAX:
 6 AMP @ 220 VAC
 0.25 AMP @ 220 VDC
 MAX VOLTAGE: 2000 V
 AVAIL. LAMP VOLT.: 6, 12, 24, 36, 48, 60
 (SEE CHART)
 AVAIL. COLOR: WHITE, BLACK, RED,
 GREEN, YELLOW & BLUE (SEE CHART)
 CASE MATERIAL: PLASTIC (BLACK)

STANDARD DRAWING

						REQ. ITEM	PART NO.	EATON	DESCRIPTION	SYMBOL	
A	-1 WAS 02111A1 -2 WAS 02121A1	6/2/65	CC	<i>[Signature]</i>	<i>[Signature]</i>	THE TECHNICAL MATERIEL CORP. MAMARONECK, NEW YORK					
\emptyset	ORIGINAL RELEASE FOR PRODUCTION	2.10.65	\emptyset	2.4	<i>[Signature]</i>	SWITCH, LIGHTED (PUSH BUTTON)					
X	EXPER. RELEASE	11.16.64	X	NB	JM						
SYM	DESCRIPTION	DATE	CH. NO.	DRAFTS	CHECKER	ENG. APP.					
UNLESS OTHERWISE SPECIFIED DIMENSIONS ARE IN INCHES AND INCLUDE CHEMICALLY APPLIED OR PLATED FINISHES		SCALE				NONE					
DECIMALS .X ± .05 .XX ± .01 .XXX ± .005		TOLERANCES		FRACTIONS ± 1/64 ANGLES ± 0° 30'		CODE	S401 - 348				
						TYPE & TEMPER	HEAT TREAT. SPEC.	DRAWN	CHECKED	FINAL APPROVAL	
						FINISH & SPEC. NO.		<i>NB</i> 11.16.64	<i>[Signature]</i>	<i>[Signature]</i>	
								<i>[Signature]</i> 2/8/65	W. JORDAN 2/8/65	SW371 A	