

# ELECTRICAL RATINGS

LOAD (BREAKING)	VS.	LIFE (CYCLES)
LOAD		LIFE
0 Volt, 0 AMPS		50,000
10 VDC, 10 AMPS		50,000
20 VDC, 1.0 AMP		50,000
100 VDC, 0.5 AMPS		25,000
120 VDC, 1.0 AMP		10,000
120 VDC, 0.5 AMPS		35,000

**CURRENT CARRYING CAPACITY** —  
10 Amps (For Temperature Rise < 30 C)

**VOLTAGE BREAKDOWN** —  
(-55°C to +85 C, 50% RH, Sea Level)

	INITIAL (MINIMUM)	END OF LIFE (MINIMUM)
BETWEEN POLES	2000 V RMS (60 CYCLES)	1000 V RMS (60 CYCLES)
BETWEEN CONTACTS	1500 V RMS (60 CYCLES)	800 V RMS (60 CYCLES)
TO GROUND	3000 V RMS (60 CYCLES)	2000 V RMS (60 CYCLES)
BETWEEN DECKS	4000 V RMS (60 CYCLES)	4000 V RMS (60 CYCLES)

**INSULATION RESISTANCE**  
(room conditions) > 10<sup>12</sup>

**THERMAL EMF** — 1<sub>M</sub> Volt/°C (Maximum)

**CONTACT RESISTANCE** — .002 Ω  
Maximum (Initial)

# MECHANICAL RATINGS

**STOP STRENGTH** — Withstand 50 In./Lb. Rotational Force (Minimum)

# ENVIRONMENTAL RATINGS

**TEMPERATURE RANGE** — -55 C to +85 C

## NOTES

▲ Rear support spacers and nylon cups are supplied (and included in E dimension) on 5 decks and over.

7 Decks are numbered consecutively beginning with deck nearest contact assembly.

## NOTES

# MATERIALS

DETENT SPRING AND BALLS, SHAFT, MTG. PLATE, STOPS, BUSHING, MTG. HARDWARE, DETENT PLATE, BALL RETAINER, STOP PIN RETAINER, DETENT SPACERS — passivated stainless steel

ROTOR ARM — solid spring silver alloy

CONTACTS, COLLECTOR RINGS (SEGMENTS) —  
SILVER ALLOY

FRONT PLATE — EPOXY FINISH

CONTACTS (INITIAL) WITH CONTACTS — silver alloy

COMMON AND CORNER TERMINALS — copper alloy (tin dipped and teflon sleeve insulated)

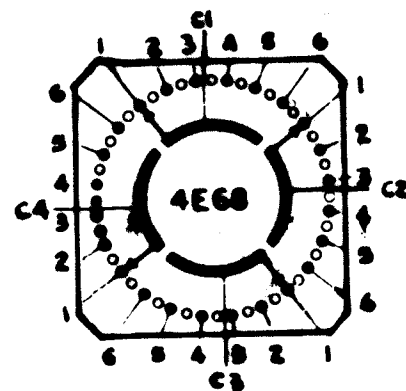
ROTOR BEARING, ROTARY SPACERS, INSULATING CUPS — nylon

ROTOR — diallyl phthalate (glass fibre reinforced)

SCREWS AND STUDS — nickel plated brass

DECK SPACERS — STEATITE

NO. OF SECTIONS: 4  
NO. OF POSITIONS: 5  
ANGLE OF THROW: 15°  
FRONT PLATE TO BE MARKED WITH TMC P/N.

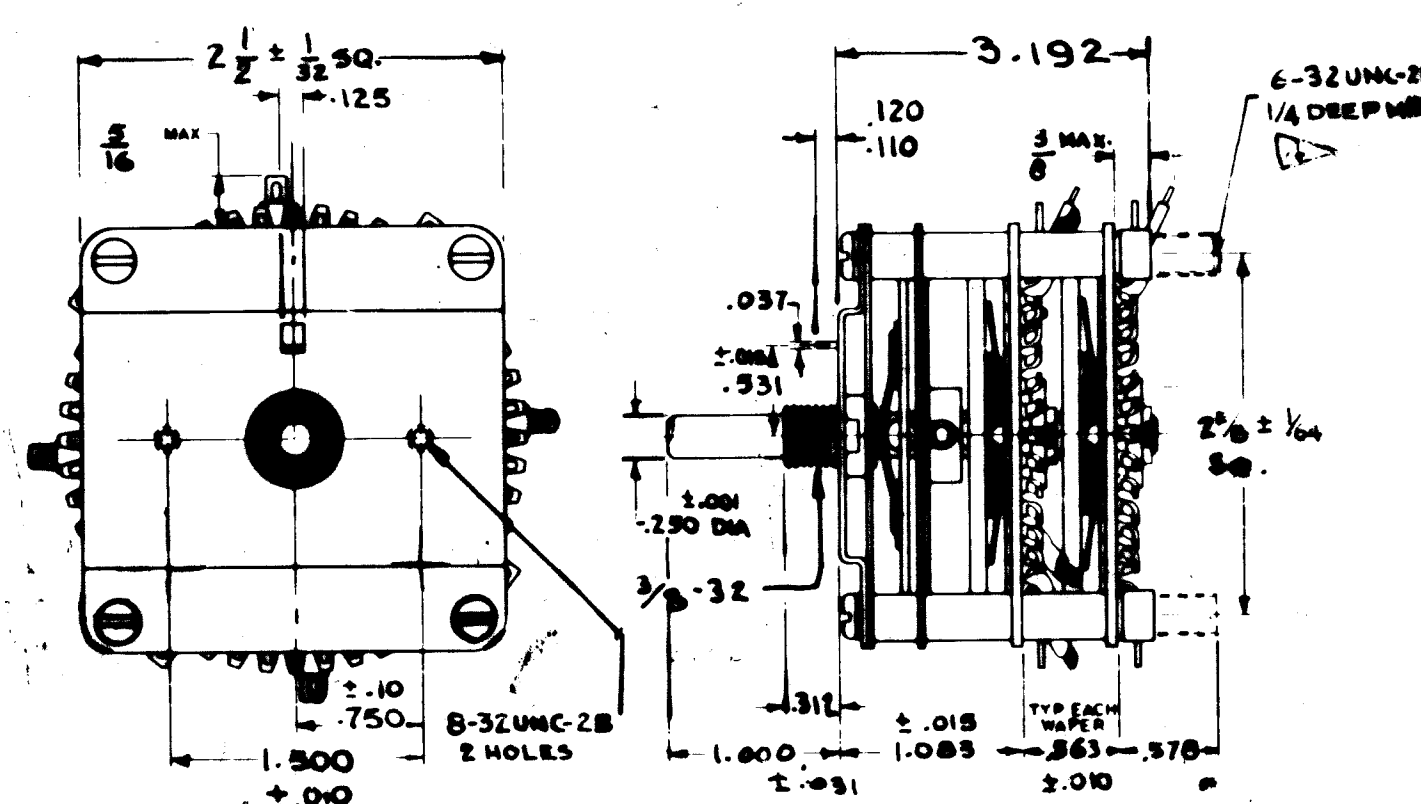


WAFER TYPE  
4 REQ.

A  
SW359

## REVISIONS

SYM	DESCRIPTION	DATE	E.M.N. NO.	DRAFT	CHKD	APPD
Ø	ORIGINAL RELEASE FOR PRODUCTION	5/20/65	—	HKA		
	REPROCESSED FOR LEGIBILITY	6/21/65				
	NO REVISION					
A	DIM 2 1/2 WAS 2 1/32, C ± 2° D, 2.18 ± .005 DELETED	10/24/65	15307	—		



REV'S	ITEM	PART NUMBER	DESCRIPTION	SYMBOL
<b>EATON LIST OF MATERIAL</b>				
MATERIAL			<b>THE TECHNICAL MATERIEL CORP.</b> MAMARONECK, NEW YORK	
FINISH			TITLE <b>SWITCH, ROTARY</b>	
UNLESS OTHERWISE SPECIFIED DIMENSIONS ARE IN INCHES AND INCLUDE CHEMICALLY APPLIED OR PLATED FINISHES			DRAWN HKA CHECKED HKA DATE 5/17/65	FINAL APPROVAL HKA DATE 5/20/65
TOLERANCES			DECIMALS .1 ± .005 .01 ± .001 .001 ± .0005	SW359 A

<b>RTPA-1</b>		
QTY/UNIT	MODEL USED ON	APPY. NO.
DO NOT SCALE	CODE C	8401-171 (4E68A5-4)
THE CONTENTS OF THIS DRAWING ARE THE EXCLUSIVE PROPERTY OF THE TECHNICAL MATERIEL CORP. ITS UNAUTHORIZED USE OR REPRODUCTION IN WHOLE OR IN PART IS STRICTLY FORBIDDEN.		

# ELECTRICAL RATINGS

LOAD (BREAKING)	VS.	LIFE (CYCLES)
LOAD		LIFE
0 Volts, 0 AMPS		50,000
10 VDC, 10 AMPS		50,000
30 VDC, 1.0 AMP		50,000
100 VDC, 0.5 AMPS		25,000
120 VAC, 1.0 AMP		10,000
120 VAC, 0.5 AMPS		35,000

## CURRENT CARRYING CAPACITY —

10 Amps (For Temperature Rise < 30 C)

## VOLTAGE BREAKDOWN —

(-55 °C to +85 °C, 50% RH, Sea Level)

	INITIAL (MINIMUM)	END OF LIFE (MINIMUM)
BETWEEN POLES	2000 V RMS (60 CYCLES)	1000 V RMS (60 CYCLES)
BETWEEN CONTACTS	1500 V RMS (60 CYCLES)	800 V RMS (60 CYCLES)
TO GROUND	3000 V RMS (60 CYCLES)	2000 V RMS (60 CYCLES)
BETWEEN DECKS	6000 V RMS (60 CYCLES)	4000 V RMS (60 CYCLES)

## INSULATION RESISTANCE

(room conditions) > 10<sup>12</sup>

THERMAL EMF — 1<sub>M</sub> Volt/°C (Maximum)

CONTACT RESISTANCE — .002 Ω

Maximum (Initial)

## MECHANICAL RATINGS

STOP STRENGTH — Withstand 50 In./Lb. Rotational Force (Minimum)

## ENVIRONMENTAL RATINGS

TEMPERATURE RANGE — -55 °C to +85 °C

### NOTES

▲ Rear support spacers and nylon cups are supplied (and included in E dimension) on 5 decks and over.

7 Decks are numbered consecutively beginning with deck nearest detent assembly.

### NOTES

## MATERIALS

DETENT SPRING AND BALLS, SHAFT, MTG. PLATE, STOPS, BUSHING, MTG. HARDWARE, DETENT PLATE, BALL RETAINER, STOP PIN RETAINER, DETENT SPACERS — passivated stainless steel

WIPER ARMS — solid spring silver alloy

CONTACTS, COLLECTOR RINGS (SEGMENTS) — SOLID SILVER ALLOY.

(DECK PLATE) — EPOXY FIBERGLASS  
CONTACTS (INTEGRAL WITH CONTACTS) — SOLID silver alloy

COMMON AND CORNER TERMINALS — copper alloy (tin dipped and teflon sleeve insulated)

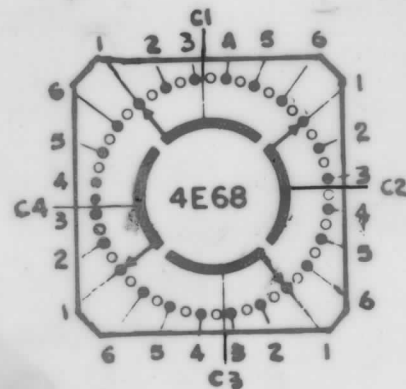
ROTOR BEARING, ROTARY SPACERS, INSULATING CUPS — nylon

ROTOR — diallyl phthalate (glass fibre reinforced)

SCREWS AND STUDS — nickel plated brass

DECK SPACERS — STEATITE

NO. OF SECTIONS: 4  
NO. OF POSITIONS: 5  
ANGLE OF THROW: 15°  
FRONT PLATE TO BE MARKED WITH TMC P/N.

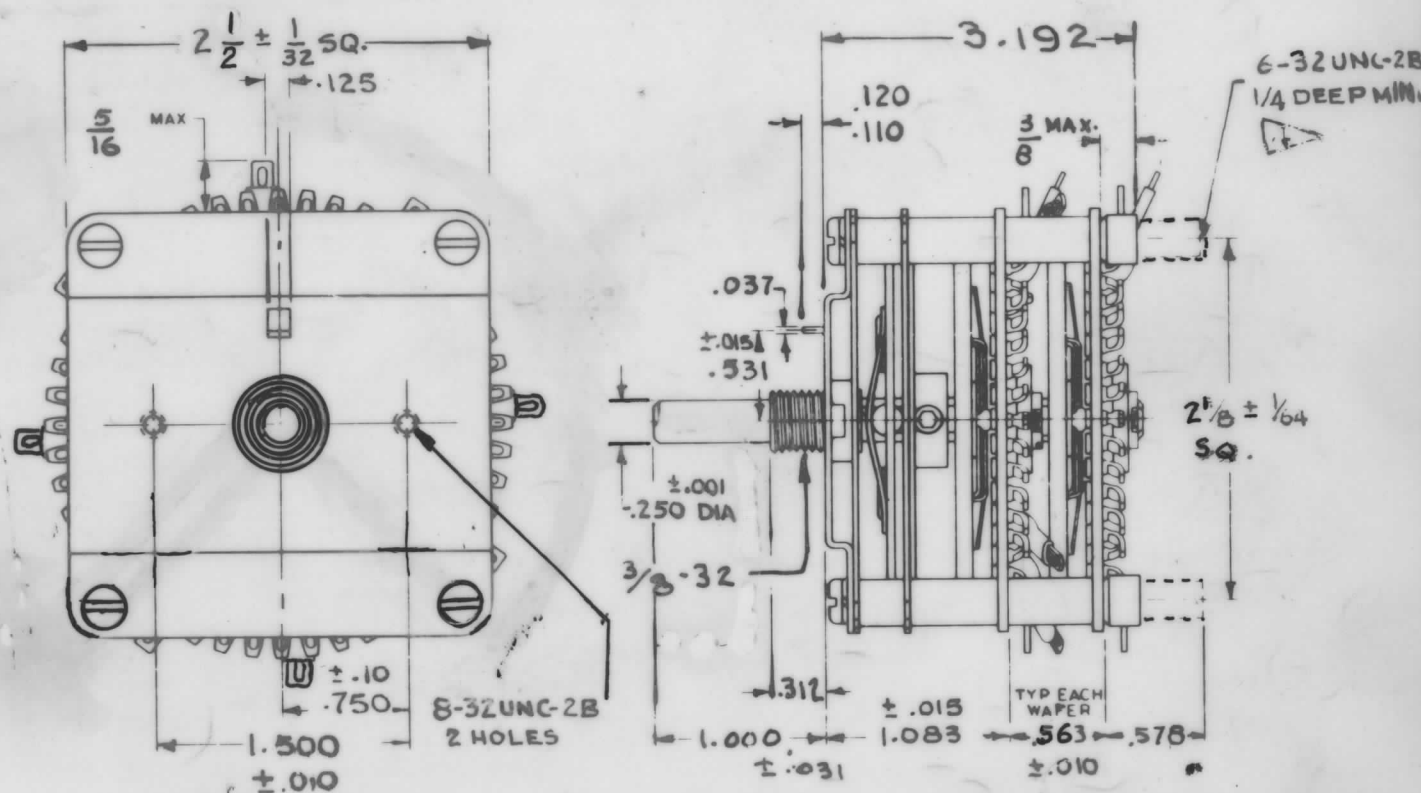


WAFER TYPE  
4 REQ.

A  
SW359

## REVISIONS

SYM	DESCRIPTION	DATE	E.M.N. NO.	DRAFT	CHKD	APPD
Ø	ORIGINAL RELEASE FOR PRODUCTION	5/20/65	—	HKA		
	REPROCESSED FOR LEGIBILITY NO REVISION	6/21/65				
A	DIM. 2 1/2 WAS 2 1/32, C ± 2° D, .218 ± .005 DELETED	12/29/65	15357	A.V.V.		



REQ'D.	ITEM	PART NUMBER	DESCRIPTION	SYMBOL
<b>EATON LIST OF MATERIAL</b>				
MATERIAL			<b>THE TECHNICAL MATERIEL CORP.</b> MAMARONECK, NEW YORK	
FINISH			SWITCH, ROTARY	
UNLESS OTHERWISE SPECIFIED DIMENSIONS ARE IN INCHES AND INCLUDE CHEMICALLY APPLIED OR PLATED FINISHES				
DECIMALS	TOLERANCES		FRACTIONS	
.X ± .05			± 1/64	
.XX ± .01			ANGLES	
.XXX ± .005			± 2°	
DRAWN HKA	DATE 3-23-65	FINAL APPROVAL <i>[Signature]</i>		DATE 5/20/65
CHECKED <i>[Signature]</i>	DATE 5/17/65	ELECT. DES. <i>[Signature]</i>		DATE 7/24/65
MECH. DES. <i>[Signature]</i>			DATE 7/24/65	
SW359			A	
SHEET			REV. LTR.	

RTPA-1	
Q'TY./UNIT	ASS'Y. NO.
SCALE	MODEL USED ON
DO NOT SCALE	C S401-171 (4E68A5-4)
THE CONTENTS OF THIS DRAWING ARE THE EXCLUSIVE PROPERTY OF THE TECHNICAL MATERIEL CORP. ITS UNAUTHORIZED USE OR REPRODUCTION IN WHOLE OR IN PART IS STRICTLY FORBIDDEN.	