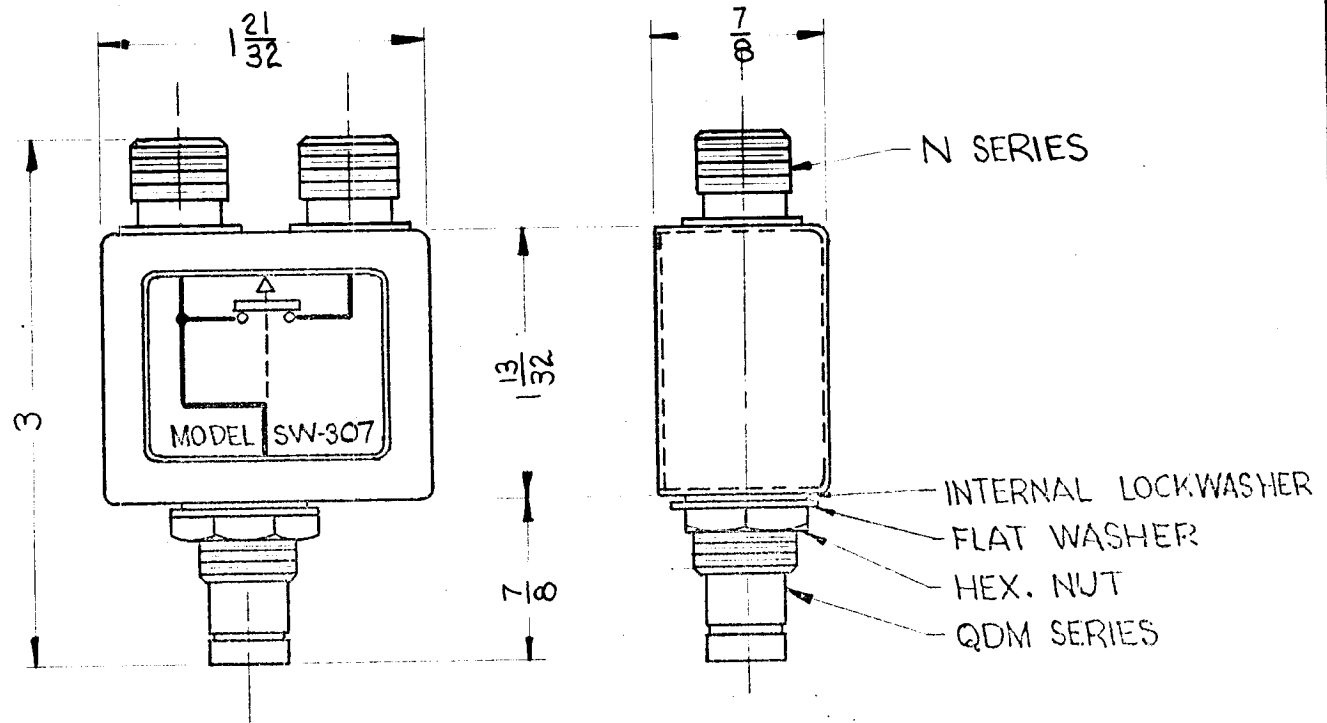


THE CONTENTS OF THIS DRAWING ARE THE EXCLUSIVE PROPERTY OF THE TECHNICAL MATERIEL CORP. ITS UNAUTHORIZED USE OR REPRODUCTION IN WHOLE OR IN PART IS STRICTLY FORBIDDEN.

REQ. PER UNIT	USED ON			SVV-307   A
	MODEL	ASS'Y. NO.	DATE	
	SW-307			



NOTES:  
CASE - MATERIAL - BRASS  
FINISH: S115 TMC SMOOTH  
GREY ENAMEL  
CONNECTORS FINISH -  
BODIES - RHODIUM FLASH  
CONTACTS - GOLD FLASH

NOTE: ASSIGNED PATENT NO. 2,767,267

REQ.	ITEM	PART NO.	DESCRIPTION			SYMBOL
			THE TECHNICAL MATERIEL CORP. MAMARONECK, NEW YORK			
			STOCK SIZE			
			SEE NOTES			
			MATERIAL			
			R. Juchin 6-5-62			
			TYPE & TEMPER	HEAT TREAT. SPEC.	DRAWN	CHECKED
			SEE NOTES			
			FINISH & SPEC. NO.			
			ELEC. DES. APP.			
			MECH. DES. APP.			

UNLESS OTHERWISE SPECIFIED:  
DIMENSIONS ARE IN INCHES  
TOLERANCES ON  
FRAC. ± 1/64 DEC. ± .005 ANGLES ± 1/2°

2A-2458  
MAXIMUM ALLOWABLE TOLERANCES HAVE BEEN DETERMINED AND ANY DEVIATIONS WILL BE CAUSE FOR REJECTION. REMOVE ALL BURRS AND SHARP EDGES

SW-307 | A