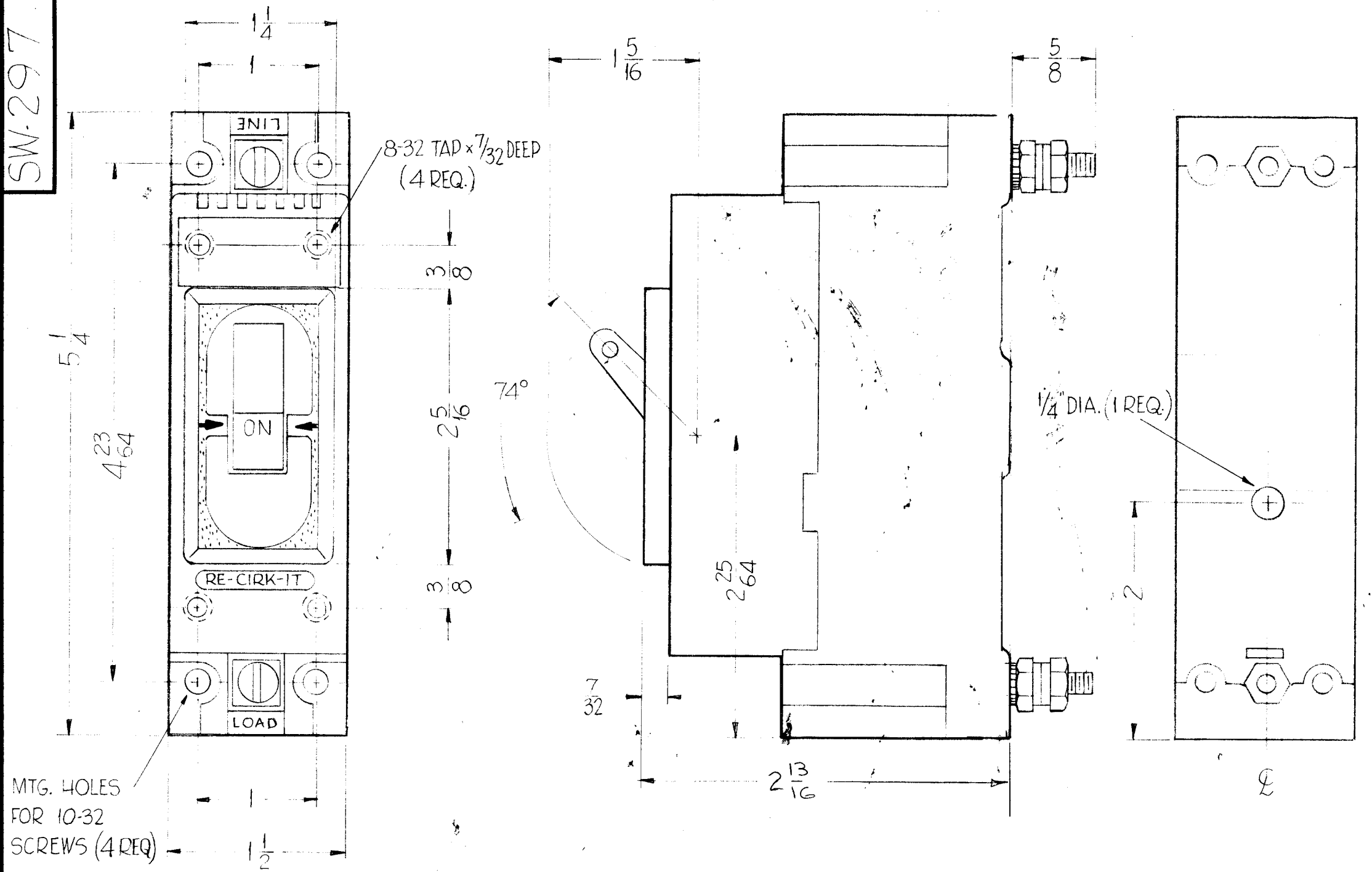


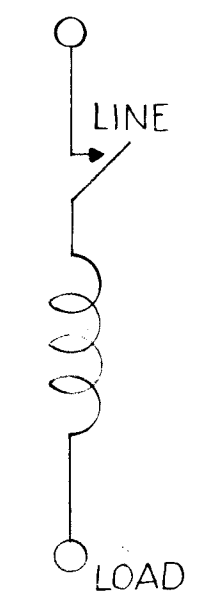
THE CONTENTS OF THIS DRAWING ARE THE EXCLUSIVE PROPERTY OF THE TECHNICAL MATERIEL CORP. ITS UNAUTHORIZED USE OR REPRODUCTION IN WHOLE OR IN PART IS STRICTLY FORBIDDEN.

SW-297



ELECTRICAL SPECIFICATIONS

350 MA
230 V AC
CURVE 3
1 POLE



SYM	DESCRIPTION	DATE	CH. NO.	DRAFTS	CHECKER	ENG. APP.
UNLESS OTHERWISE SPECIFIED:						
DIMENSIONS ARE IN INCHES						
TOLERANCES ON FRACTIONS ± 1/64 DECIMALS ± .005 ANGLES ± 1/2°						
SCALE:		MAXIMUM ALLOWABLE TOLERANCES HAVE BEEN DETERMINED AND ANY DEVIATIONS WILL BE CAUSE FOR REJECTION. REMOVE ALL BURRS AND SHARP EDGES				

REQ. PER UNIT	MODEL	SECTION	ASS'Y. NO.	DATE
1	GPT-40K			5-1-62
1	GPT-10K	MAIN CON PANEL		5-1-62
USED ON				

REQ.	ITEM	PART NO.	DESCRIPTION	SYMBOL
			THE TECHNICAL MATERIEL CORP. MAMARONECK, NEW YORK	
			CIRCUIT BREAKER	
			H.V. ON-OFF	
			D. J. Mann	
			AWL	
			RB	
			TYPE & TEMPER	
			HEAT TREAT. SPEC.	
			DRAWN	
			CHECKED	
			FINAL APPROVAL	
			LB	
			DOB	
			FINISH & SPEC. NO.	
			ELEC. DES. APP.	
			MECH. DES. APP.	
			SW-297	