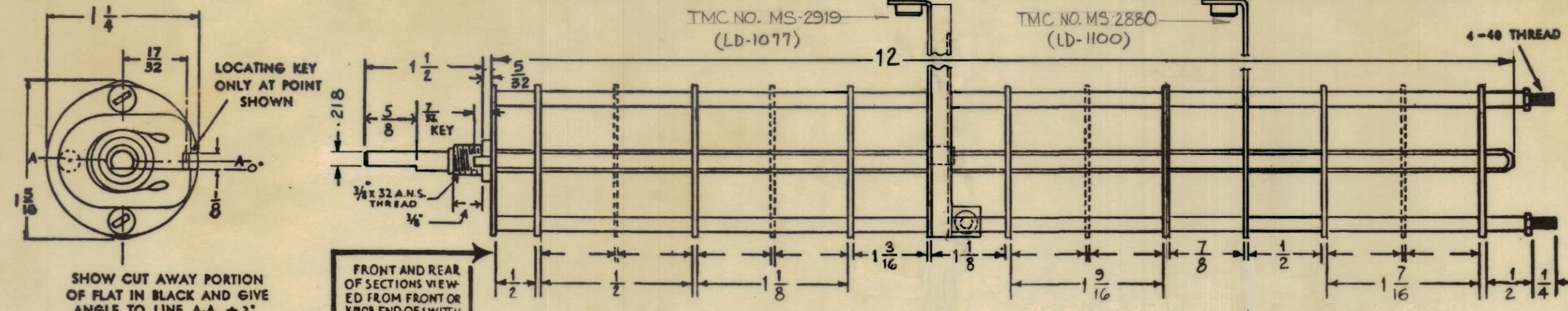
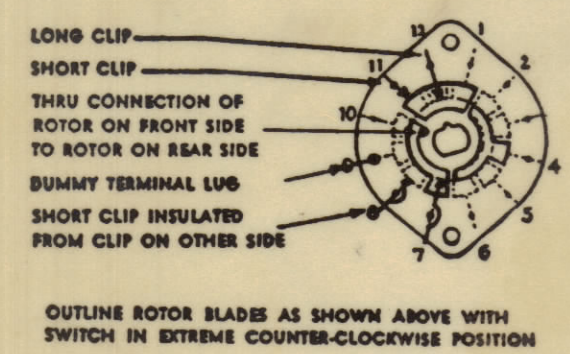


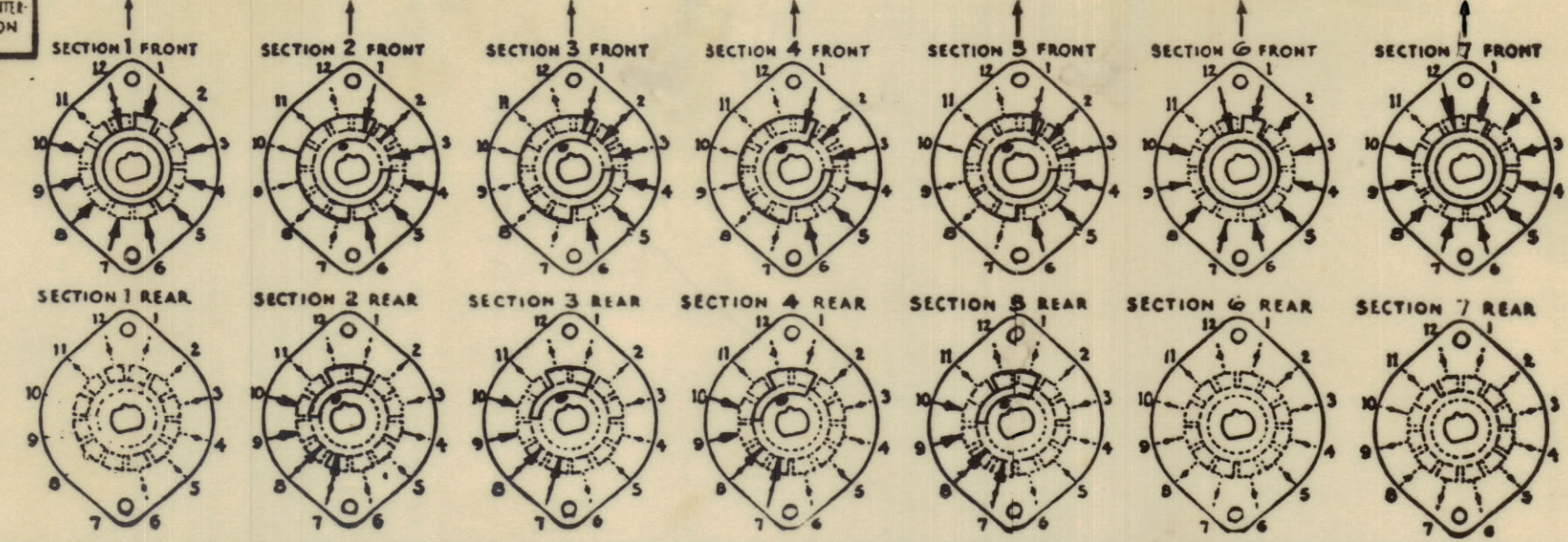
NON-SHORTING TYPE CONTACTS, SECTIONS 1,6,7  
 SHORTING TYPE CONTACTS, SECTIONS 2,3,4,5  
 NOTE - REMOVE ROTATION STOP, TO PERMIT CONTINUOUS ROTATION.



SYMBOLS USED IN MARKING PRINT

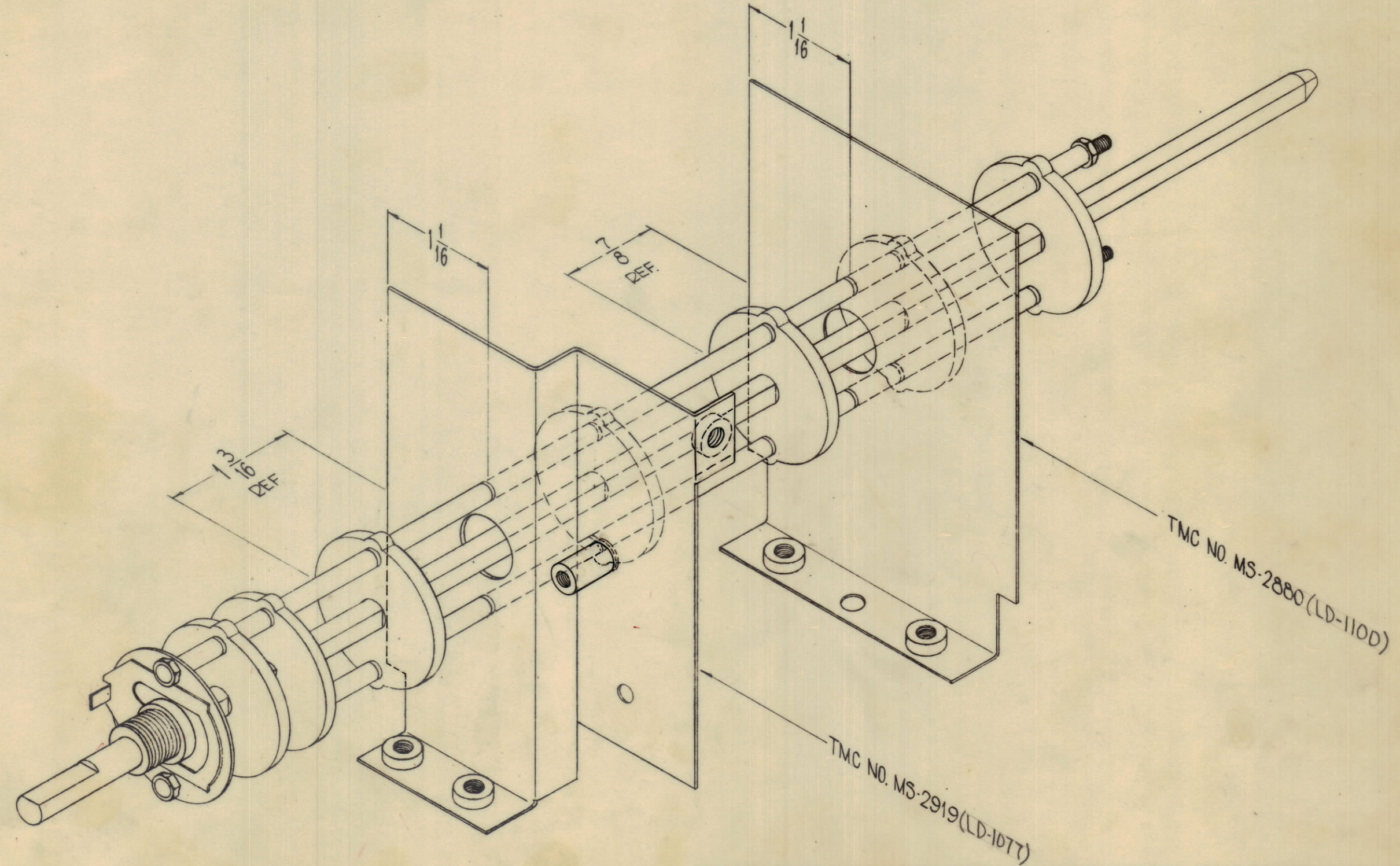


NUMBER OF SECTIONS  $\frac{7}{}$   
 NUMBER OF POSITIONS  $\frac{12}{}$   
 ANGLE OF THROW  $30^\circ$  (30° OR 40°)



**SPECIFICATIONS**  
 SHORTING TYPE CONTACTS  NON-SHORTING  IF NOT SPECIFIED SHORTING TYPE WILL BE SUPPLIED.  
 INSULATION:  $\frac{1}{2}$ " BAKELITE ;  $\frac{1}{4}$ " MYCALEX  SPECIFY IMPREGNATION IF REQUIRED.  
 FINISH REQUIREMENTS: COMMERCIAL ; ARMY ; NAVY ; SALT TEST (IF ANY GIVE DETAILS).  
 CONTACTS AND ROTORS: SILVER PLATED BRASS ; SOLID SILVER ALLOY ; IF NOT SPECIFIED SILVER PLATED BRASS WILL BE SUPPLIED.  
 MOUNTING HARDWARE: SUPPLY  $\frac{1}{4}$ " - 32 NUTS  $\frac{1}{2}$ " ACROSS FLATS; MATERIAL BRASS PLATING NICKEL  
 STAMP PART NUMBER SW-292 ON FRONT PLATE, YES  NO

NOTES—  
 BRACKETS MS-2880 AND MS-2919 SUPPLIED BY TMC AND ASSEMBLED AS SHOWN.



NOTE: CONTACTS LEFT OFF OF WAFERS FOR PURPOSE OF CLARITY.

B	SHAFT "FLAT" REVISED	1/3/69	19159	K4	GP		
A	REF. LD-1077 & LD-1100 ADDED TO PICTORIALS	12-5-62	7777	BT	GP		
SYM	ZONE	DESCRIPTION	DATE	CH. NO.	DRAFTS	CHECKER	ENG. APP.
UNLESS OTHERWISE SPECIFIED:			SCALE				
DIMENSIONS ARE IN INCHES			MAXIMUM ALLOWABLE TOLERANCES HAVE BEEN DETERMINED AND ANY DEVIATIONS WILL BE CAUSE FOR REJECTION. REMOVE ALL BURRS & SHARP EDGES				
TOLERANCES ON FRACTIONS ± 1/64			DECIMALS ± .005		ANGLES ± 1/2°		

1	HFS-1	3400 DECK	8-15-62
REQ. PER UNIT	MODEL	SECTION	ASS'Y. NO.
USED ON			

REQ. ITEM	PART NO.	J. STRUMMER	DESCRIPTION	SYMBOL
STOCK SIZE		THE TECHNICAL MATERIEL CORP. MAMARONECK, NEW YORK		
MATERIAL		SWITCH, ROTARY 3400 DECK		
TYPE & TEMPER		HEAT TREAT. SPEC.	FINAL APPROVAL	
FINISH & SPEC. NO.		ELEC. DES. APP.		MECH. DES. APP.
		SW-292		B
		SHEET		OF