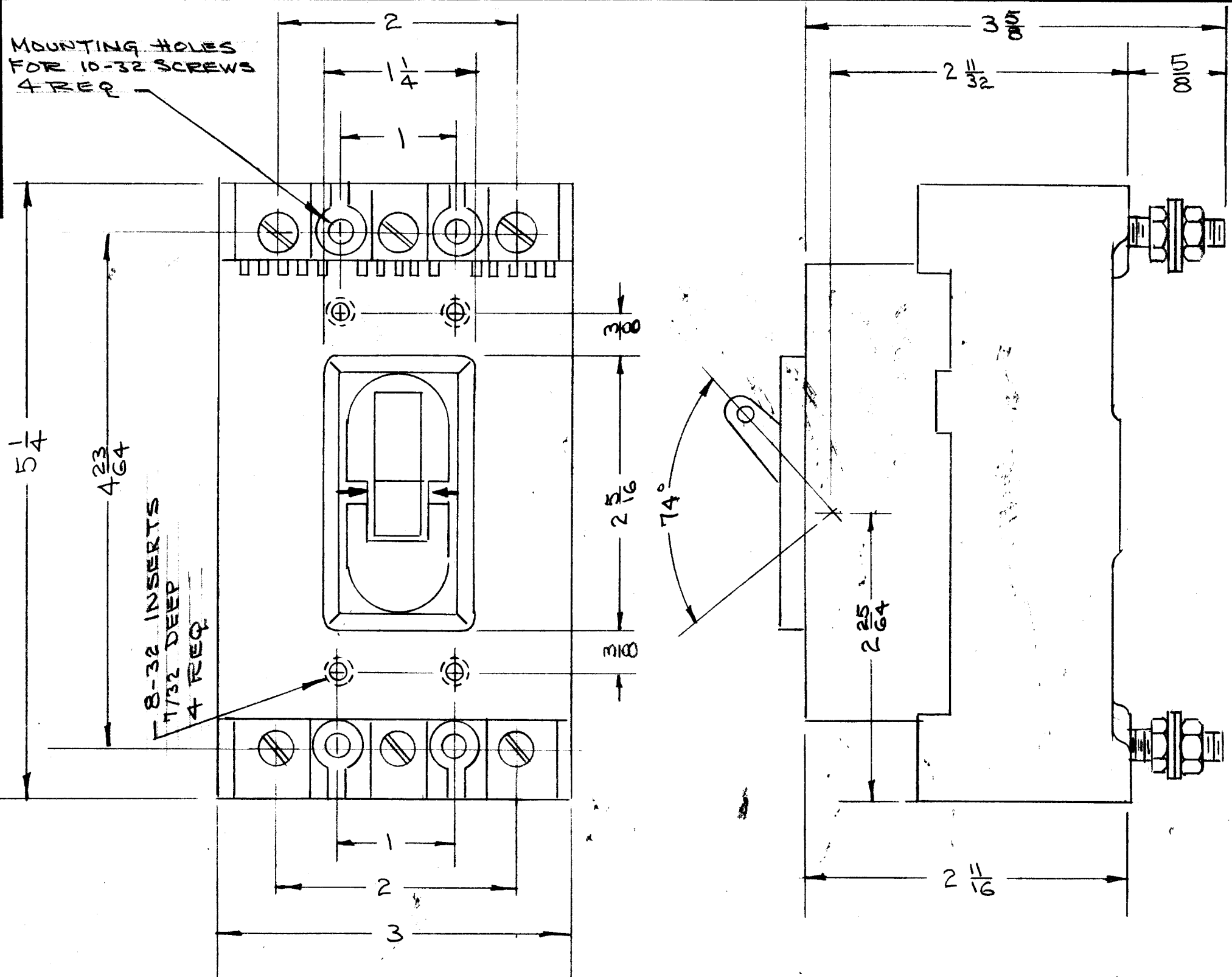


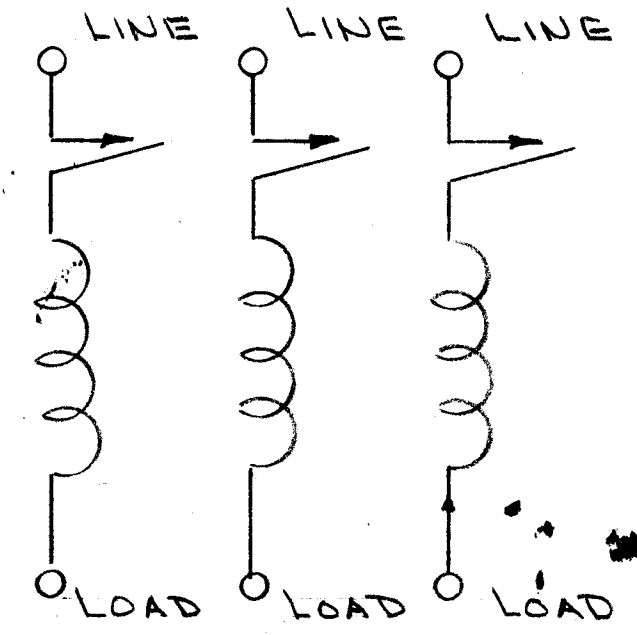
SW 269 C



MODEL	FUNCTION
GPT-40K	BLOWER, ON-OFF

ELECTRICAL SPECS.

15 AMPS  
 250 V. AC MAX.  
 CURVE 9  
 3 POLES  
 SERIES TRIP



ISSUE	ITEM	CHANGED FROM	DATE	CH. NO.	DRAFTS	CHECKER	ENG. APP.
C	2	3363SMG4-15 DELETED	3-16-66	15959			
	1	250VAC WAS 230V, CURVE WAS 1.5					
B	1	5/8 DIM. WAS 13/16	9-23-63	10031			
A	1	5401-5B NO WAS 3363S15MG4	8-30-60	2875			

TOLERANCES SCALE: 5-401-58 (3363SMG4-15)

DEC. DIM. ±  
 FRAC. DIM. ±  
 ANGULAR DIM. ±

MAXIMUM ALLOWABLE TOLERANCES HAVE BEEN DETERMINED AND ANY DEVIATIONS WILL BE CAUSE FOR REJECTION. REMOVE ALL BURRS AND SHARP EDGES

REQ. PER UNIT	MODEL	PROJECT NO.	ASS'Y. NO.	DATE
	GPT-40K			12-14-59
USED ON				

REQ. ITEM	PART NO.	DESCRIPTION	SYMBOL
THE TECHNICAL MATERIEL CORP. MAMARONECK, NEW YORK			
CIRCUIT BREAKER			
3 POLES			
		DRAWN	CHECKED
		EM	TR
		FINAL APPROVAL	
		SW 269 C	
FINISH & SPEC. NO.		ELEC. DES. APP.	MECH. DES. APP.