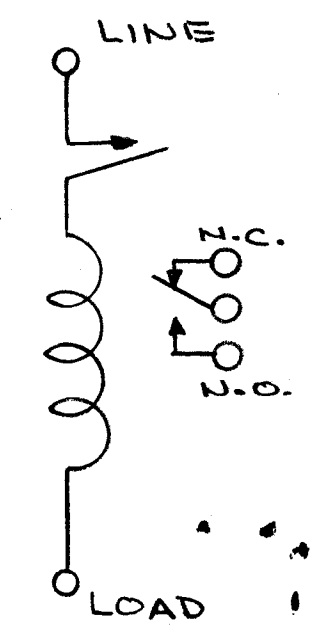
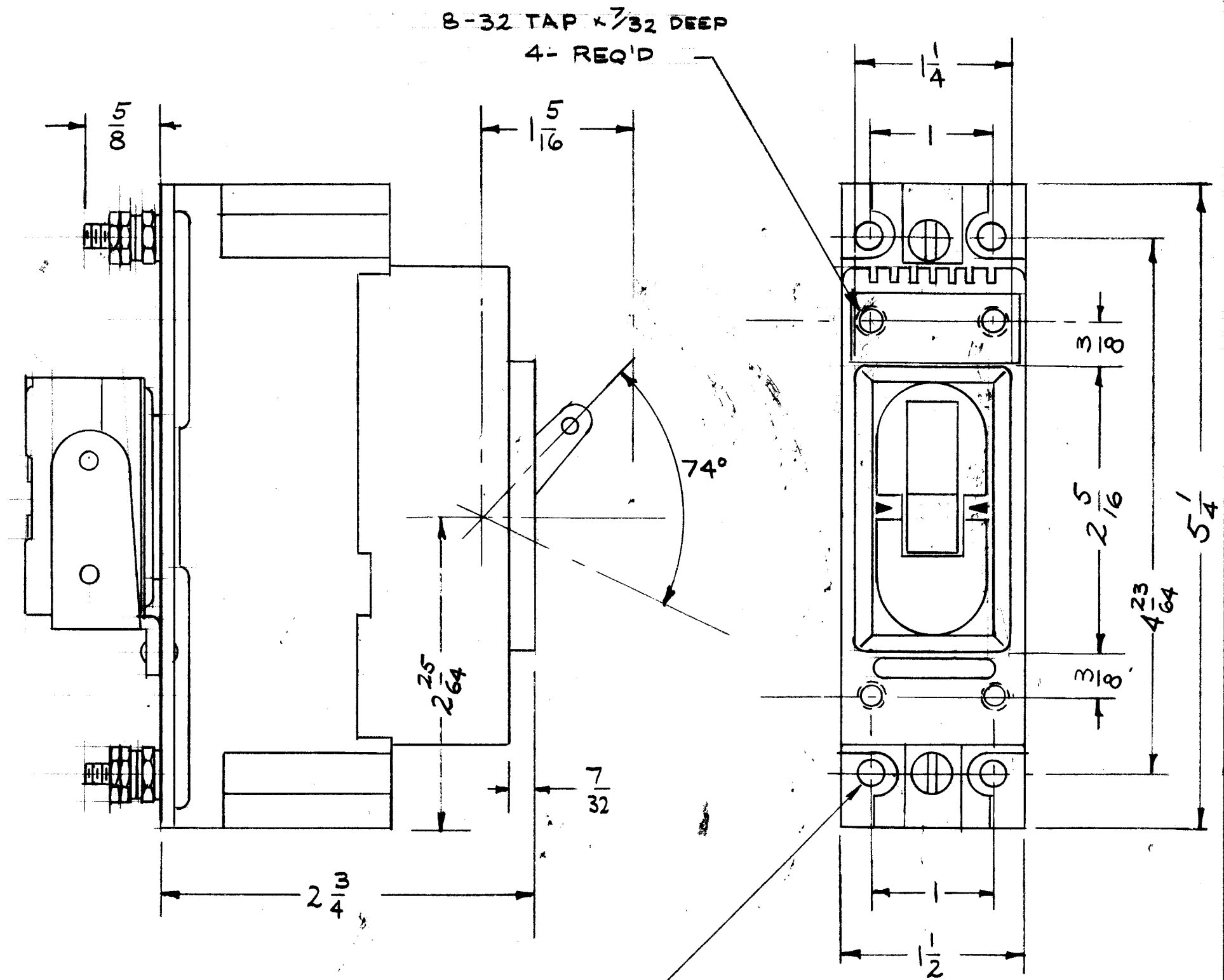


SW-268 A

MODEL	FUNCTION
GPT-40K	HIGH VOLTAGE - ON-OFF

**ELECTRICAL SPECIFICATIONS**

2 AMPS,  
230 V.A.C  
CURVE 3  
SINGLE POLE  
SERIES TRIP  
AUXILIARY SWITCH ON REAR



DEC. DIM. ±	MAXIMUM ALLOWABLE TOLERANCES HAVE BEEN DETERMINED AND ANY DEVIATIONS WILL BE CAUSE FOR REJECTION: REMOVE ALL BURRS AND SHARP EDGES
FRAC. DIM. ±	
ANGULAR DIM. ±	

REQ. PER UNIT	1
MODEL	GPT 40K
PROJECT NO.	
ASSY. NO.	
DATE	12-14-59
USED ON	

REQ. ITEM	PART NO.	DESCRIPTION	SYMBOL
		THE TECHNICAL MATERIEL CORP. MAMARONECK, NEW YORK	
STOCK SIZE		CIRCUIT BREAKER, SINGLE POLE	
MATERIAL			
TYPE & TEMPER	HEATTREAT. SPEC.	DRAWN	CHECKED
FINISH & SPEC. NO.		FINAL APPROVAL	
		SW-268 A	