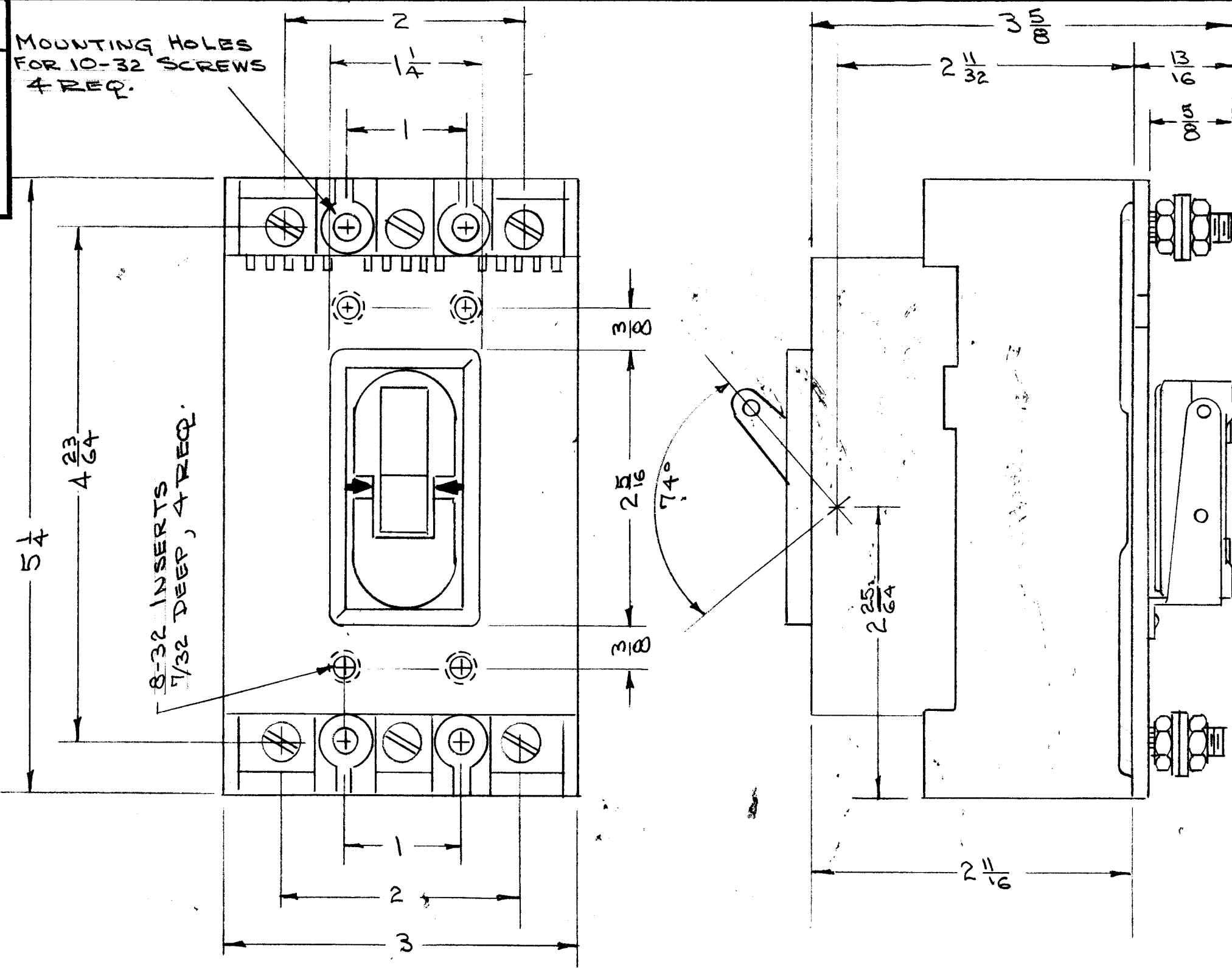
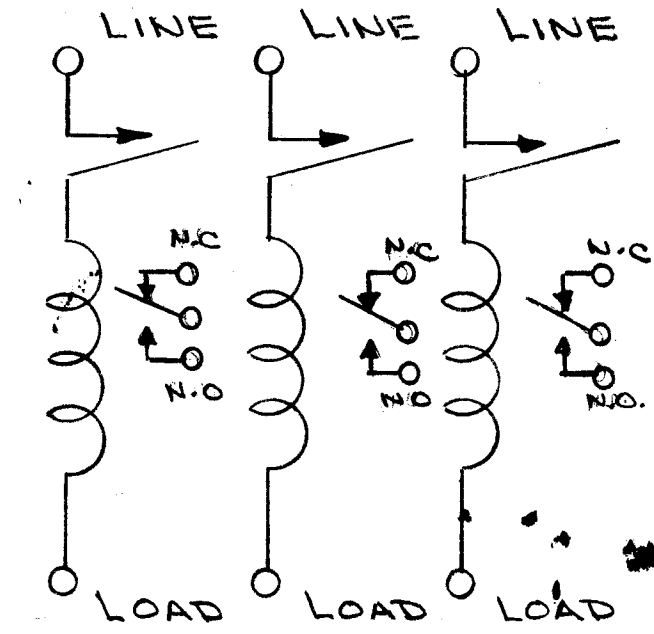


SW-266 A



MODEL	FUNCTION
GPT-40K	MAIN POWER, ON-OFF

ELECTRICAL SPECIFICATIONS
 3363SHHHKMG4-50
 50 AMPS
 230V
 CURVE 3
 POLES 3
 SERIES TRIP
 3 AUX. SWITCHES MOUNTED ON REAR.



ISSUE	ITEM	CHANGED FROM	DATE	CH. NO.	DRAFTS	CHECKER	ENG. APP.
A	1	S401-58 NO. WAS 3363-50 HHHKMG4	8 30 60	2875	cy	JCS	HQ

TOLERANCES: DEC. DIM. ±, FRAC. DIM. ±, ANGULAR DIM. ±

SCALE: S401-58 (3363SHHHKMG4-50)

MAXIMUM ALLOWABLE TOLERANCES HAVE BEEN DETERMINED AND ANY DEVIATIONS WILL BE CAUSE FOR REJECTION. REMOVE ALL BURRS AND SHARP EDGES

REQ. PER UNIT	MODEL	PROJECT NO.	ASS'Y. NO.	DATE
1	GPT-40K		MAIN CONTROL	12-14-59

USED ON

REQ. ITEM	PART NO.	DESCRIPTION	SYMBOL
		THE TECHNICAL MATERIEL CORP. MAMARONECK, NEW YORK	
STOCK SIZE		CIRCUIT, BREAKER	
MATERIAL		3 POLE	
TYPE & TEMPER	HEAT TREAT. SPEC.	DRAWN	CHECKED
		Em	JRB
FINISH & SPEC. NO.	ELEC. DES. APP.	MECH. DES. APP.	FINAL APPROVAL
			SW-266 A