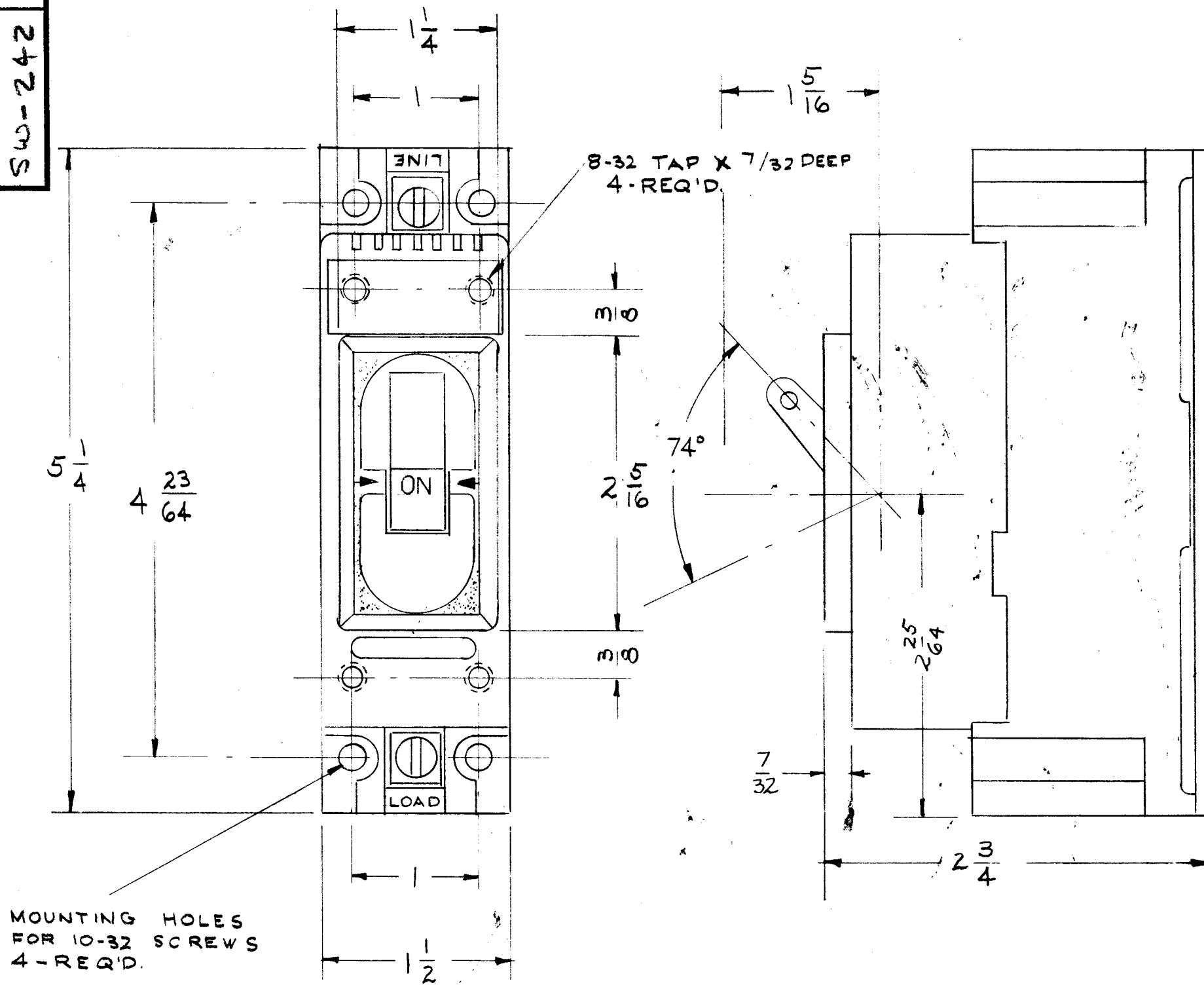


SW-242



ELECTRICAL SPECIFICATIONS

10 AMP.
110/220 VAC.
CURVE 3
1 POLE

ISSUE	ITEM	CHANGED FROM	DATE	CH. NO.	DRAFTS	CHECKER	ENG. APP.
TOLERANCES			SCALE: 5-10:1 - 58 (11635 MG4)				
DEC. DIM. \pm			MAXIMUM ALLOWABLE TOLERANCES HAVE BEEN DETERMINED AND ANY DEVIATIONS WILL BE CAUSE FOR REJECTION.				
FRAC. DIM. \pm			REMOVE ALL BURRS AND SHARP EDGES				
ANGULAR DIM. \pm							

REQ. PER UNIT	MODEL	PROJECT NO.	ASS'Y. NO.	DATE

REQ. ITEM	PART NO.	DESCRIPTION	SYMBOL
		THE TECHNICAL MATERIEL CORP. MAMARONECK. NEW YORK	
STOCK SIZE		CIRCUIT BREAKER, AUX. LINE	
MATERIAL		ON-OFF	
TYPE & TEMPER		HEAT TREAT. SPEC.	FINAL APPROVAL
FINISH & SPEC. NO.		ELEC. DES. APP. MECH. DES. APP.	SW-242