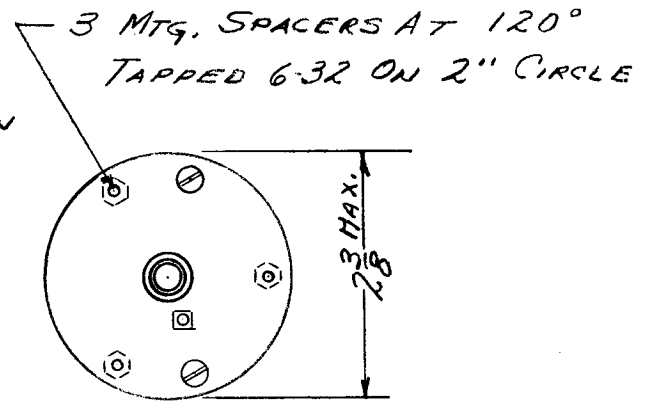
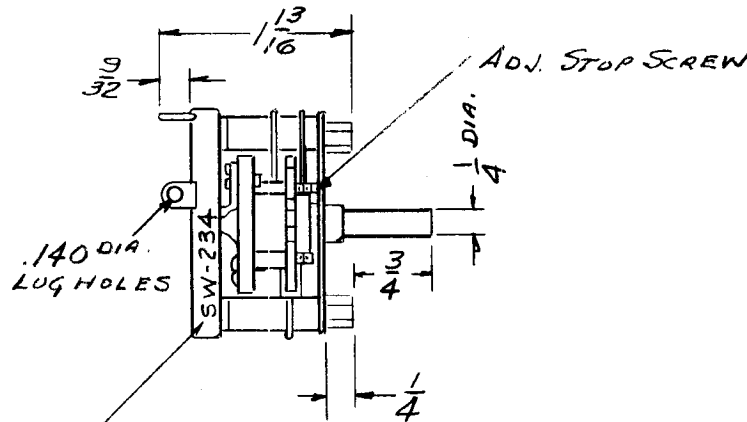
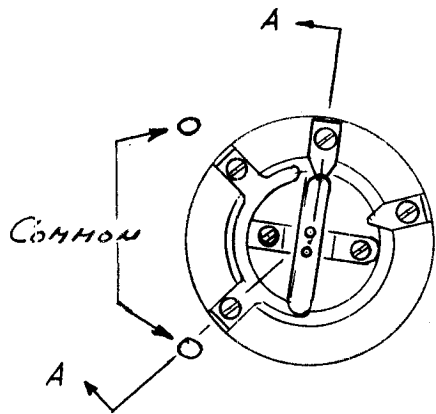
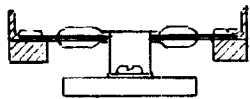


REQ. PER UNIT	USED ON			SW-234
	MODEL	SYM. NO.	DATE	
1	RTF-2	P/A	10-21-1958	



STAMP TMC No. SW-234

ONE POLE TWO POSITION
NON-SHORTING.
DETENT - 60°
MIN. FLASHOVER AT 60CPS - 4500V. PEAK
CURRENT CARRYING CAPACITY - 25A. MAX.



SECTION A-A

REF.: COMMUNICATIONS PRODUCTS Co., INC. MODEL 65

REQ. ITEM	PART NO.	DESCRIPTION	SYMBOL
	CS	THE TECHNICAL MATERIEL CORP.	
		MAMARONECK, NEW YORK	
	CS	SWITCH, ROTARY, ANTENNA	
		LOADING	
ISSUE	ITEM	CHANGED FROM	DATE
TOLERANCES		SCALE:	CS
DEC. DIM. ±	MAXIMUM ALLOWABLE TOLERANCES HAVE BEEN DETERMINED AND ANY DEVIATIONS WILL BE CAUSE FOR REJECTION.		
FRAC. DIM. ±	REMOVE ALL BURRS AND SHARP EDGES		
ANGULAR DIM. ±			
	TYPE & TEMPER	HEAT TREAT. SPEC.	DRAWN
	CS		CHECKED
	FINISH & SPEC. NO.	ELEC. DES. APP.	MECH. DES. APP.
			SW-234