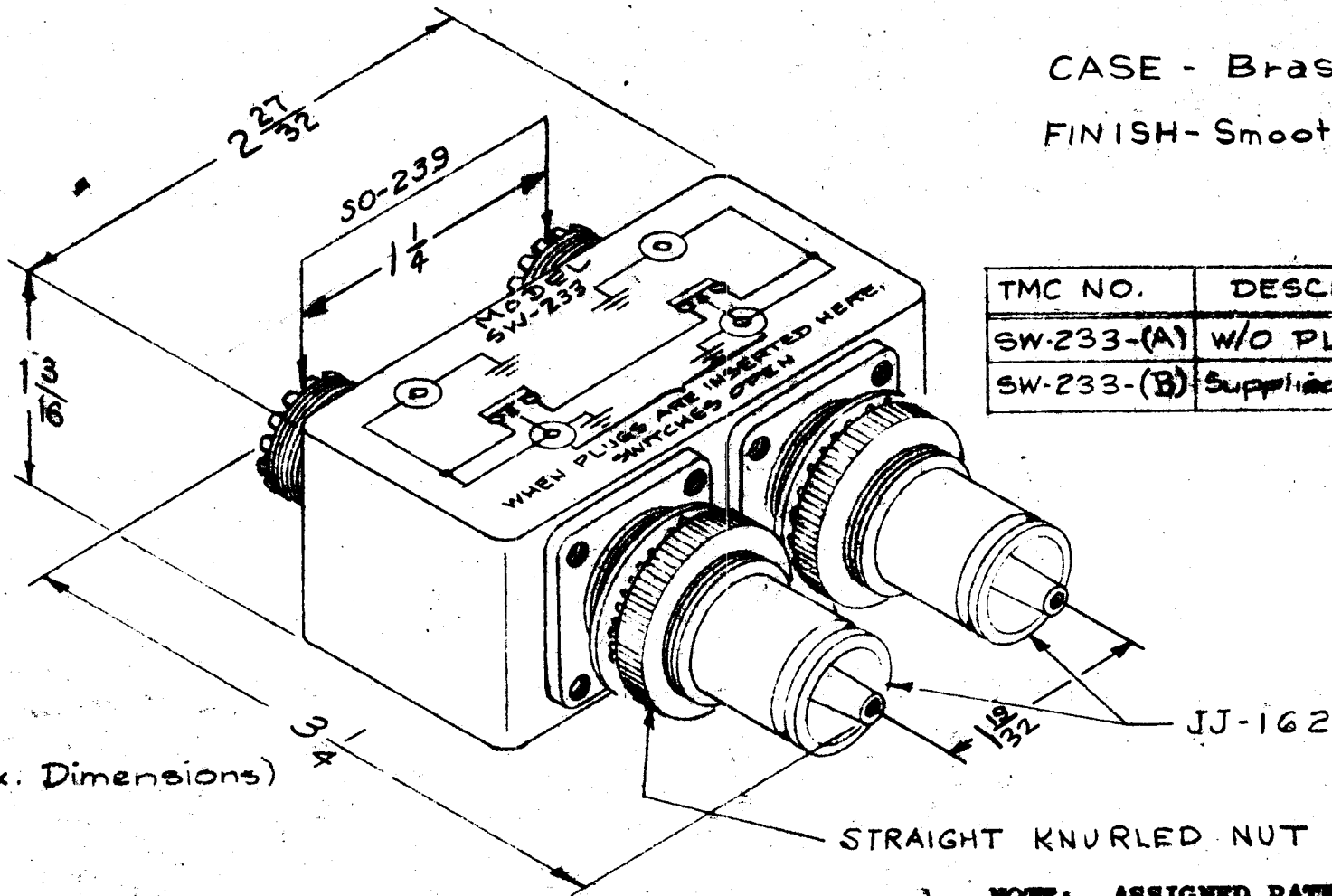


CASE - Brass

FINISH - Smooth Grey Enamel



TMC NO.	DESCRIPTION
SW-233-(A)	W/O PL-149
SW-233-(B)	Supplied w/two PL-149

(Approx. Dimensions)

NOTE: ASSIGNED PATENT NO. 2,767,267

REQ. ITEM	PART NO.	DESCRIPTION	SYMBOL									
		THE TECHNICAL MATERIAL CORP. MAMARONECK. NEW YORK										
		STOCK SIZE										
		SWITCH, R.F.										
		QDS TO UHF										
A	PATENT NOTE ADDED	9/30/65 14846	JOB MM									
ISSUE ITEM	CHANGED FROM	DATE	CH. NO.	DRAFTS	CHECKER	ENG. APP.	MJT	10/13/68	10/13/68	10/13/68		
TOLERANCES		MAXIMUM ALLOWABLE TOLERANCES HAVE BEEN DETERMINED AND ANY DEVIATIONS WILL BE CAUSE FOR REJECTION.		REMOVE ALL CHIPS AND SHARP EDGES		TYPE & TEMPER		HEAT TREAT. SPEC.	DRAWN		CHECKED	FINAL APPROVAL
										SW-233		A