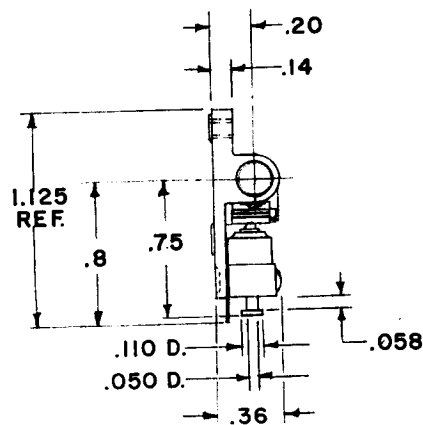
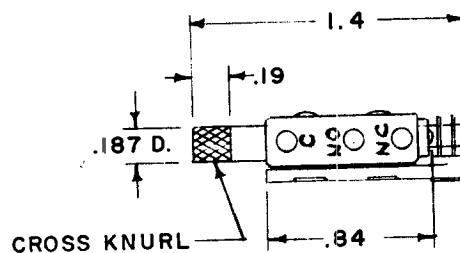
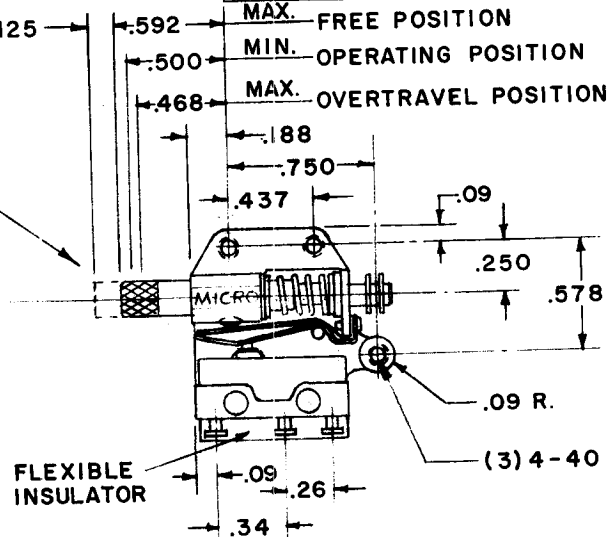


PUSH TO OPERATE - RETURNS AUTOMATICALLY TO POSITION SHOWN.

PULL TO OPERATE - REMAINS IN OPERATE POSITION UNTIL RESET FOR AUTOMATIC RETURN NEXT FULL STROKE "PUSH" OPERATION.



APPROX .125



REQ. PER UNIT	USED ON			SW-219
	MODEL	ASS'Y. NO.	DATE	
2	RFA-1		7-16-58	
2	PSP-350		7-16-58	

MAX. FREE POSITION
MIN. OPERATING POSITION
MAX. OVERTRAVEL POSITION

TOTAL TRAVEL
PUSH OPERATION - APPROX. .156
PULL OPERATION - APPROX. .156
CONTACT ARRANGEMENT - SPDT
BREAK DISTANCE - .010 MIN.
250VAC 5 AMPS
30 V. DC RATING (SEA LEVEL)
INDUCTIVE 5 AMPS
RESISTIVE 4 AMPS
MAXIMUM INRUSH 15 AMPS

TOLERANCES
ONE PLACE (.0) ±.030
TWO PLACES (.00) ±.015
THREE PLACES (.000) ±.005

Ref. MICROSWITCH NO. YACI-7

								REQ. ITEM	PART NO.	DESCRIPTION	SYMBOL	
								THE TECHNICAL MATERIEL CORP. MAMARONECK, NEW YORK				
								SWITCH, INERLOCK				
								MATERIAL				
ISSUE	ITEM	CHANGED FROM	DATE	CH. NO.	DRAFTS	CHECKER	ENG. APP.			167/16/58	A.S.S.	
TOLERANCES			SCALE: FULL							DRAWN	CHECKED	FINAL APPROVAL
DEC. DIM. ± See Above			MAXIMUM ALLOWABLE TOLERANCES HAVE BEEN DETERMINED AND ANY DEVIATIONS WILL BE CAUSE FOR REJECTION. REMOVE ALL BURRS AND SHARP EDGES					TYPE & TEMPER		HEAT TREAT. SPEC.	SW-219	
FRAC. DIM. ±								FINISH & SPEC. NO.		ELEC. DES. APP.	MECH. DES. APP.	
ANGULAR DIM. ±												