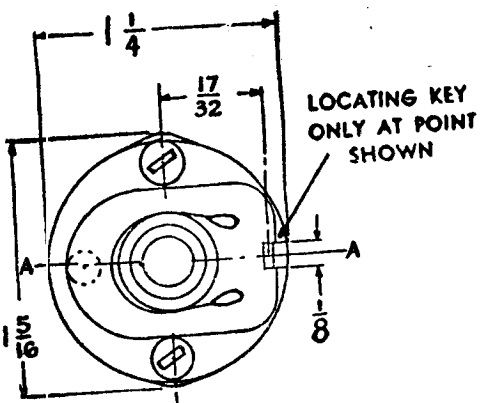
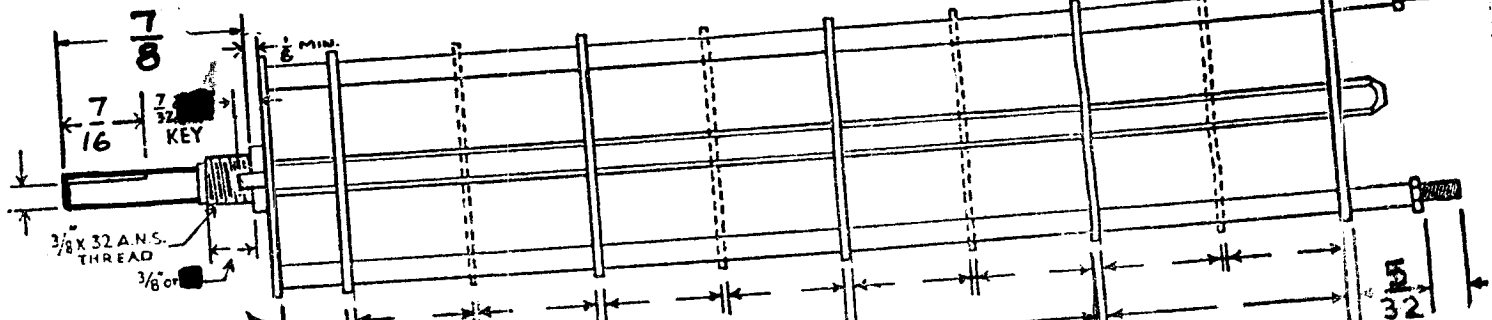


CUSTOMER'S PART NO. SW-217

CUSTOMER



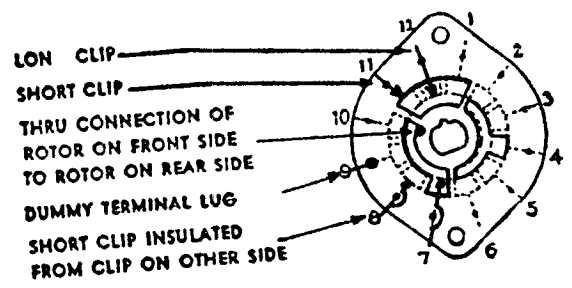
SHOW CUT AWAY PORTION OF FLAT IN BLACK AND GIVE ANGLE TO LINE A-A.  $\pm 3^\circ$  STANDARD RMA KNURLED AND SLOTTED SHAFT ALSO AVAILABLE



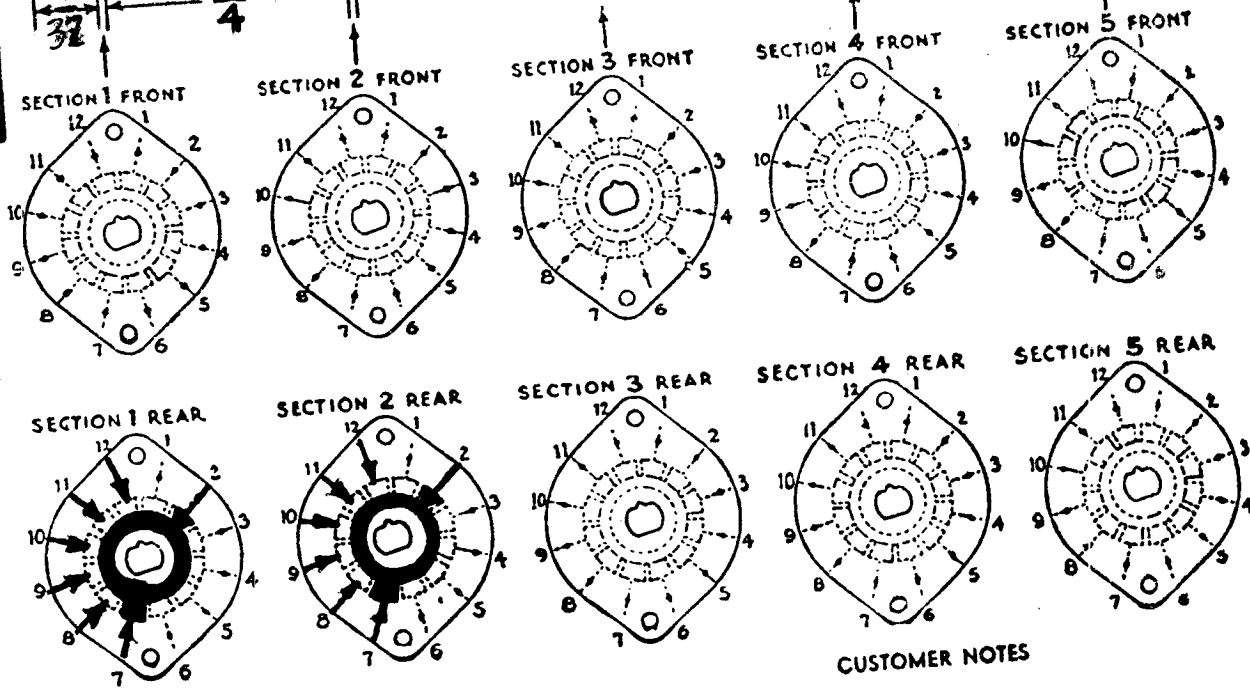
FRONT AND REAR OF SECTIONS VIEWED FROM FRONT OR KNOB END OF SWITCH IN EXTREME COUNTER-CLOCKWISE POSITION

NUMBER OF SECTIONS  $\frac{2}{6}$   
 NUMBER OF POSITIONS  $\frac{2}{6}$   
 ANGLE OF THROW  $30^\circ$  ( $30^\circ$ )

SYMBOLS USED IN MARKING PRINT



OUTLINE ROTOR BLADES AS SHOWN ABOVE WITH SWITCH IN EXTREME COUNTER-CLOCKWISE POSITION



CUSTOMER NOTES

**SPECIFICATIONS**

SHORTING TYPE CONTACTS  NON-SHORTING  IF NOT SPECIFIED SHORTING TYPE WILL BE SUPPLIED.  
 INSULATION:  $\frac{1}{16}$  BAKELITE  $\frac{3}{8}$  MYCALEX  SPECIFY IMPREGNATION IF REQUIRED.  
 FINISH REQUIREMENTS: MILITARY  ARMY  NAVY ; SALT TEST (IF ANY GIVE DETAILS) 200 HR  
 CONTACTS AND ROTORS: SILVER PLATED BRASS  SOLID SILVER ALLOY ; IF NOT SPECIFIED SILVER PLATED BRASS WILL BE SUPPLIED.  
 MOUNTING HARDWARE: SUPPLY  $\frac{1}{8}$  - 32 NUTS  $\frac{1}{2}$  ACROSS FLATS; MATERIAL STAINLESS STEEL  
 STAMP PART NUMBER SW-217-C ON FRONT PLATE YES  NO   
 (NUMBER)

USED ON PAL-350  
 THE TECHNICAL MATERIEL CORPORATION

**SWITCH, ROTARY, METE**

DRAWN 16 9/16/58 APP'D. [Signature]

CHK'D JAL [Signature]

SW-217