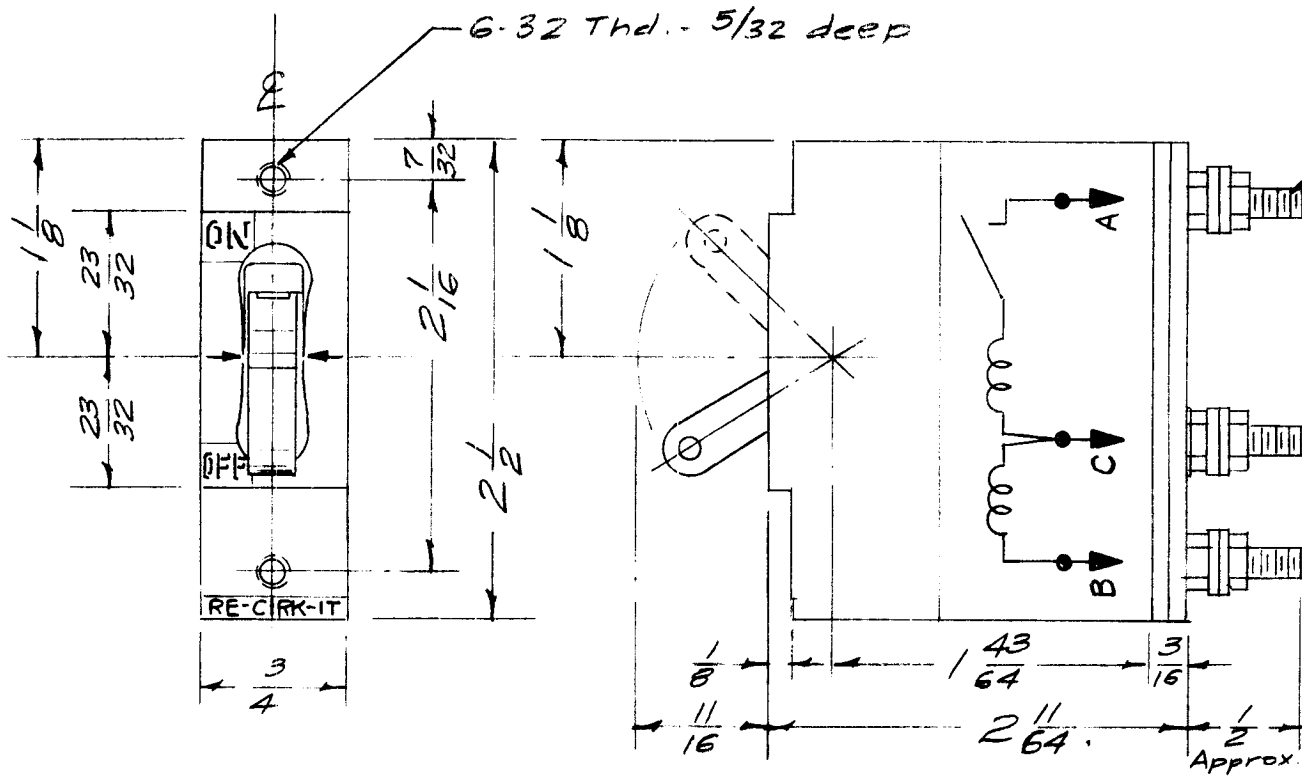


REQ. PER UNIT	USED ON			SW-216	E
	MODEL	ASS'Y. NO.	DATE		
1	PSP. 350		7-15-58		



Overload:
 5 amp at 230V
 10 amp at 115V
 MAX. OPER. VOLT.:
 230V 50/60 CPS
 DELAY CURVE 5
 Standard Calibration.

REF - HEINEMANN NO. AM12DRK

REQ. ITEM	PART NO.	DESCRIPTION	SYMBOL
		THE TECHNICAL MATERIEL CORP. MAMARONECK, NEW YORK	
STOCK SIZE		CIRCUIT BREAKER	
MATERIAL			
TOLERANCES		SCALE:	
DEC. DIM. ±		MAXIMUM ALLOWABLE TOLERANCES HAVE BEEN DETERMINED AND ANY DEVIATIONS WILL BE CAUSE FOR REJECTION.	
FRAC. DIM. ±		REMOVE ALL BURRS AND SHARP EDGES	
ANGULAR DIM. ±			
TYPE & TEMPER		HEAT TREAT. SPEC.	DRAWN
FINISH & SPEC. NO.		ELEC. DES. APP.	MECH. DES. APP.
		16 7/15/58	file
			A J J
			SW-216
			E