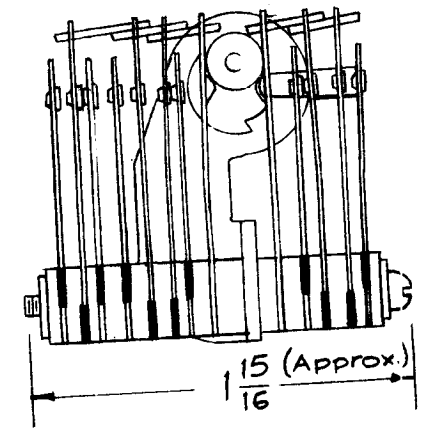
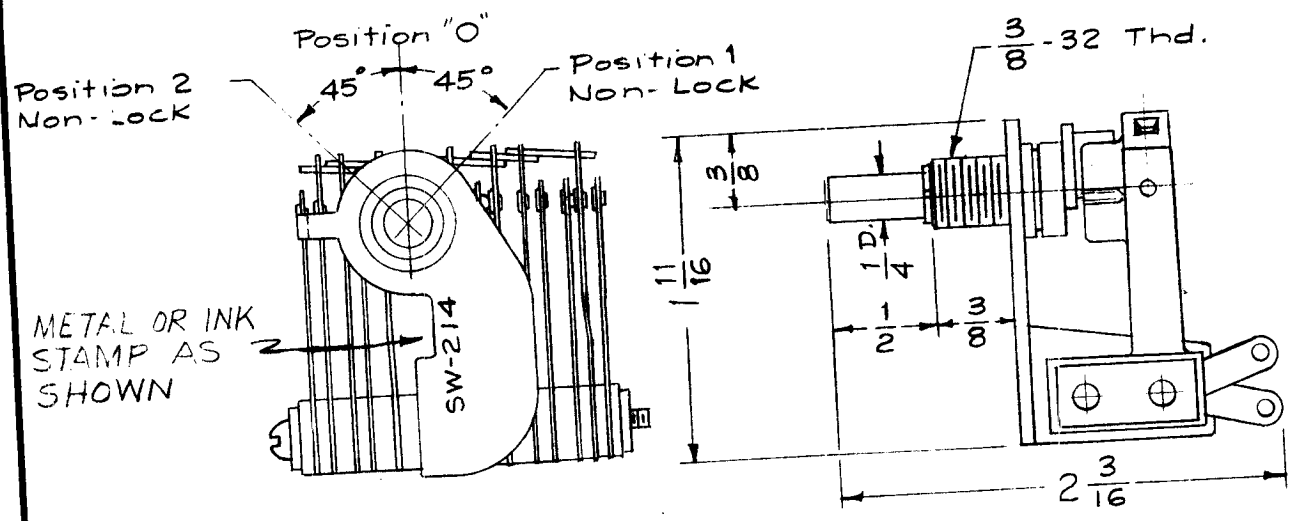


Note:

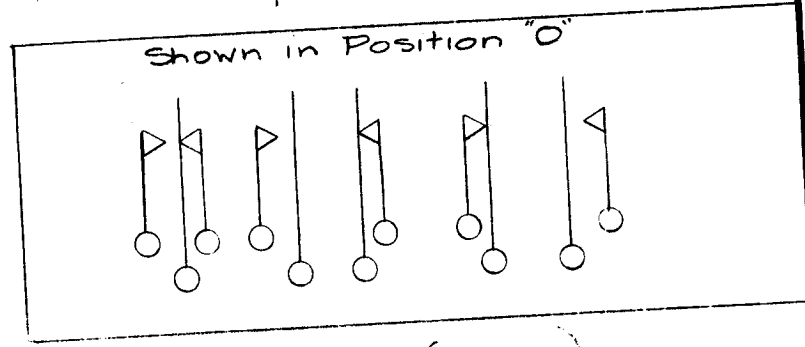
- The following items to be supplied by Mfa.
- 1 each flat washer - 9/16 O.D., 3/8 I.D., .040 Thk.
- 1 each Internal lockwasher - 9/16 O.D., 3/8 I.D., .025 Thk.
- 1 each Hex. Nut - 3/8-32 Thds., 1/2 across flats, 3/32 Thk.

REQ. PER UNIT	USED ON		DATE	SW-214	A
	MODEL	ASS'Y. NO.			
1	ATS-MCU		3-5-58		
	ATS-MCU-2		7-8-59		



METAL OR INK STAMP AS SHOWN

- Specifications:**
- Contacts - Silver, 1/8" Diam., Rated at 3 Amp.
 - Springs - Phosphor Bronze, Nickel Silver Plate
 - Frame - Steel, Nickel Plate
 - Bushing - Brass
 - Positions - Three (As Shown)



REF: MOSSMAN - No. 4403 Z1 (TMC)

REQ. ITEM						PART NO.		DESCRIPTION		SYMBOL
								THE TECHNICAL MATERIEL CORP.		
								MAMARONECK.		
								NEW YORK		
								SWITCH, TURN		
								(3 Position, Non-Locking)		
								16 ^{3/5/58}		
								DRAWN		
								CHECKED		
								FINAL APPROVAL		
								SW-214		A
								ELEC. DES. APP.		
								MECH. DES. APP.		
TOLERANCES						SCALE:				
DEC. DIM. ±						MAXIMUM ALLOWABLE TOLERANCES HAVE				
FRAC. DIM. ±						BEEN DETERMINED AND ANY DEVIATIONS				
ANGULAR DIM. ±						WILL BE CAUSE FOR REJECTION.				
						REMOVE ALL BURRS AND SHARP EDGES				