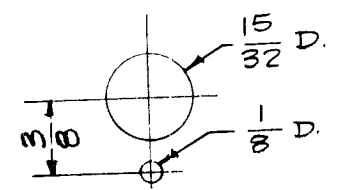
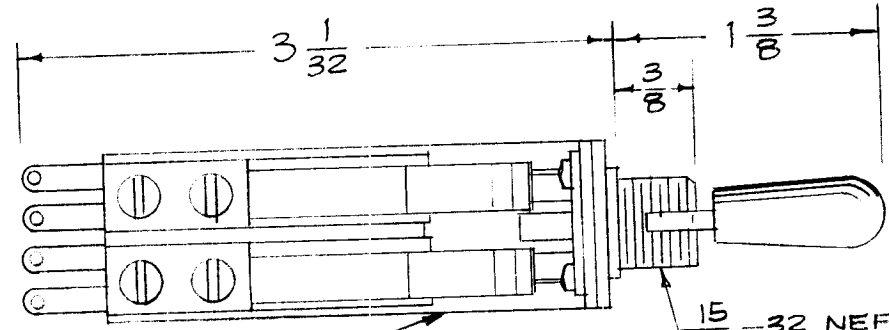
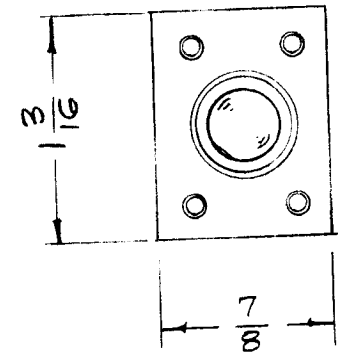
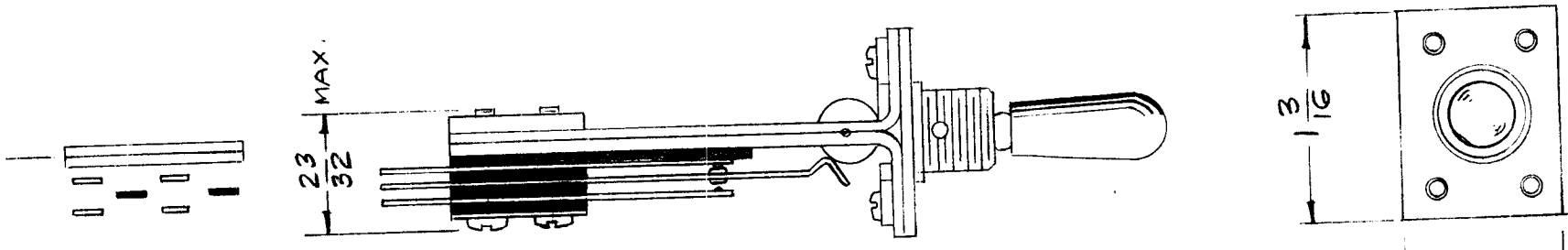


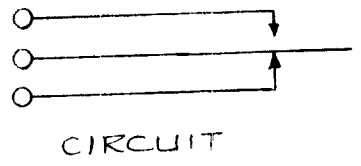
REQ. PER UNIT	USED ON			SW-212	B
	MODEL	ASS'Y. NO.	DATE		
2	AT5-MCU		2-5-58		



METAL STAMP TMC PART No. 32  
15-32 NEF THD.

MOUNTING DETAIL  
(For Non-Turn Washer)

ON LEG  
MFG. WILL SUPPLY ONE Hex Nut - 9/16" across flats - 15/32-32 THD, 1/16" THK, and one Non-Turn Washer



REF-SWITCHCRAFT, INC. # 16006

								REQ. ITEM	PART NO.	DESCRIPTION	SYMBOL	
										THE TECHNICAL MATERIEL CORP. MAMARONECK, NEW YORK SWITCH, LEVER, 2 POS. NON-LOCKING		
									STOCK SIZE			
									MATERIAL			
B	1	TMC #PT.No. RELOCATED	4/5/58	2	ONE							
A	1	METAL STAMP ADDED	3/5/58	1	16							
ISSUE	ITEM	CHANGED FROM	DATE	CH. NO.	DRAFTS	CHECKER	ENG. APP.					
TOLERANCES			SCALE:									
DEC. DIM. ±			MAXIMUM ALLOWABLE TOLERANCES HAVE BEEN DETERMINED AND ANY DEVIATIONS WILL BE CAUSE FOR REJECTION.									
FRAC. DIM. ±			REMOVE ALL BURRS AND SHARP EDGES									
ANGULAR DIM. ±												
								TYPE & TEMPER	HEAT TREAT. SPEC.	DRAWN	CHECKED	FINAL APPROVAL
								FINISH & SPEC. NO.		46 2/5/58		AJJ
										57A		SW-212
												B