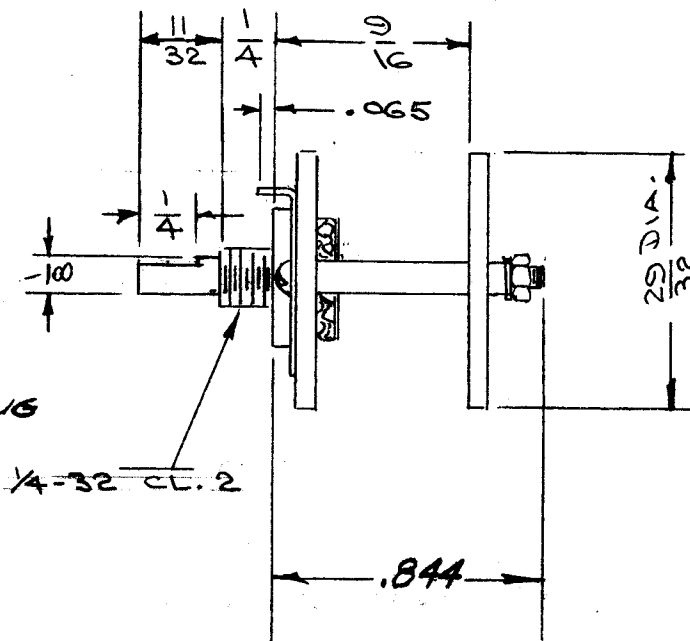
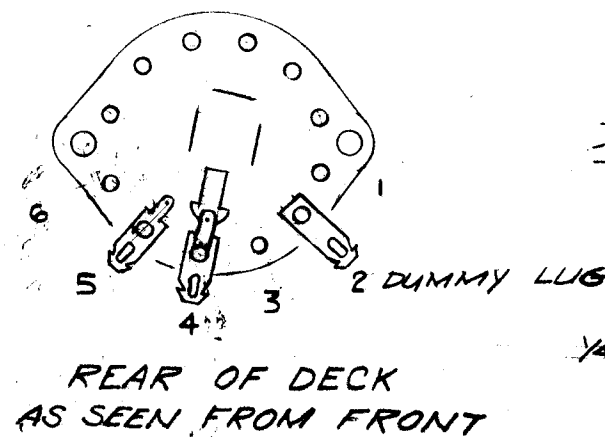
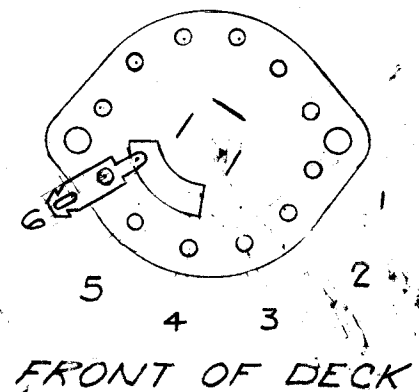
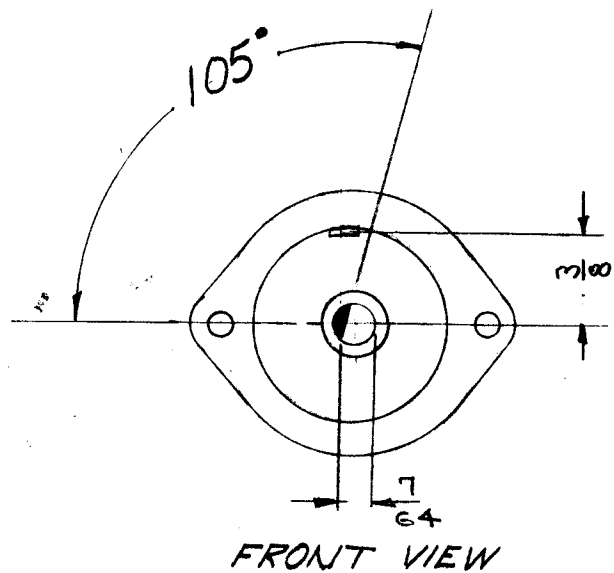


SW-203 C



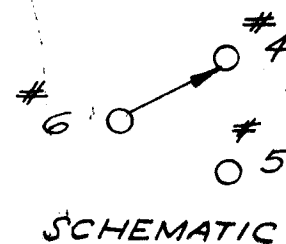
SWITCH IS SHOWN IN EXTREME COUNTER CLOCKWISE POSITION

ANGLE OF THROW - 30°
 NUMBER OF POSITIONS - 2
 CONTACTS & WIPERS - SILVER ALLOY
 INSULATION MAT. GLASS MELAMINE LAMINATE

DETENT - NO SPRING ACTION, STOPS ONLY.
 CONTACTS - NON SHORTING

HARDWARE - HEX. NUT & LOCK WASHER
 TO BE SUPPLIED BY MFR.

NOTE:
 KNOB NOT REQUIRED



ISSUE	ITEM	CHANGED FROM	DATE	CH. NO.	DRAFTS	CHECKER	ENG. APP.
C	2	DELETED REF. INT'L INST INC	6363	9135			
	1	LUGS CLARIFIED					
B	2	FRONT DECK LUGS 5, 4 & 2 DELETED	10-11-62	7409			
	1	REAR DECK LUG 6 DELETED					
A	2	BODY LENGTH WAS 3/4"	82857	1			
	1	105° WAS 90°					

TOLERANCES		SCALE:
DEC. DIM. ±		MAXIMUM ALLOWABLE TOLERANCES HAVE BEEN DETERMINED AND ANY DEVIATIONS WILL BE CAUSE FOR REJECTION. REMOVE ALL BURRS AND SHARP EDGES
FRAC. DIM. ±		
ANGULAR DIM. ±		

REQ. PER UNIT	MODEL	PROJECT NO.	ASS'Y. NO.	DATE
1	GPR 90 RX			8-15-57

REQ. ITEM	PART NO.	DESCRIPTION	SYMBOL
		THE TECHNICAL MATERIEL CORP. MAMARONECK, NEW YORK	
		HFO SWITCH	
		GPR 90 RX	
		8-15-57	A.J.J.
		TYPE & TEMPER HEAT TREAT. SPEC.	FINAL APPROVAL
		FINISH & SPEC. NO.	SW-203 C