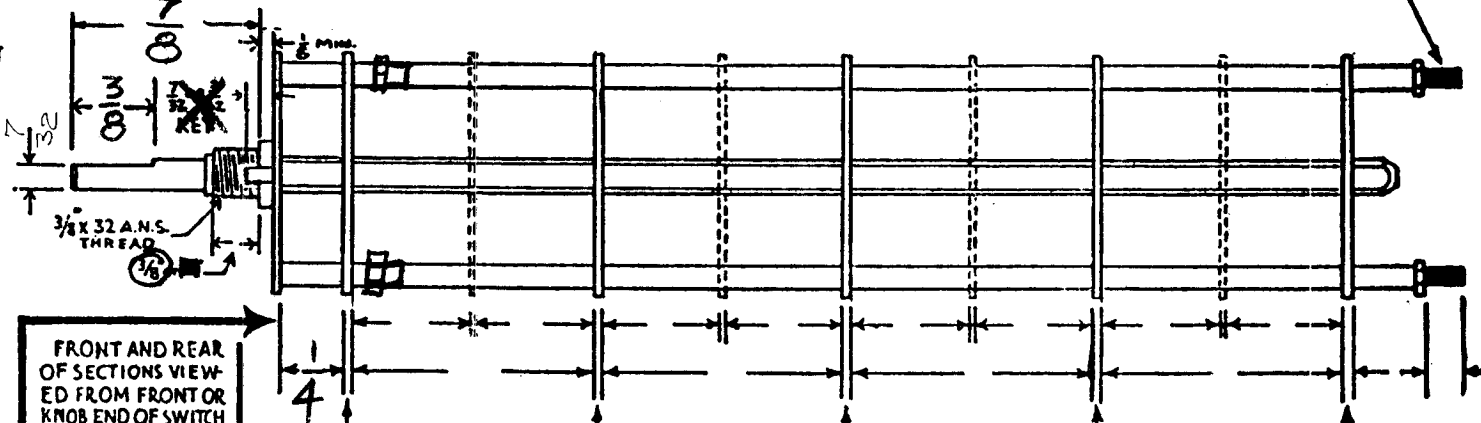
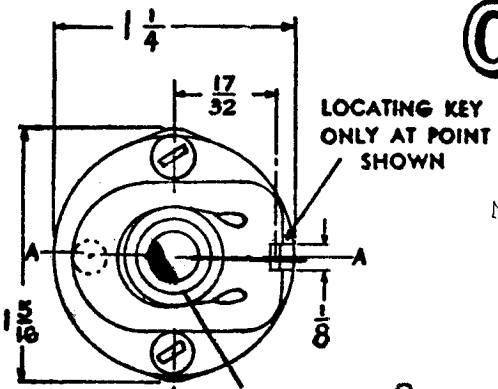


OAK TYPE F SWITCH

CUSTOMER'S SW-194
PART NO.

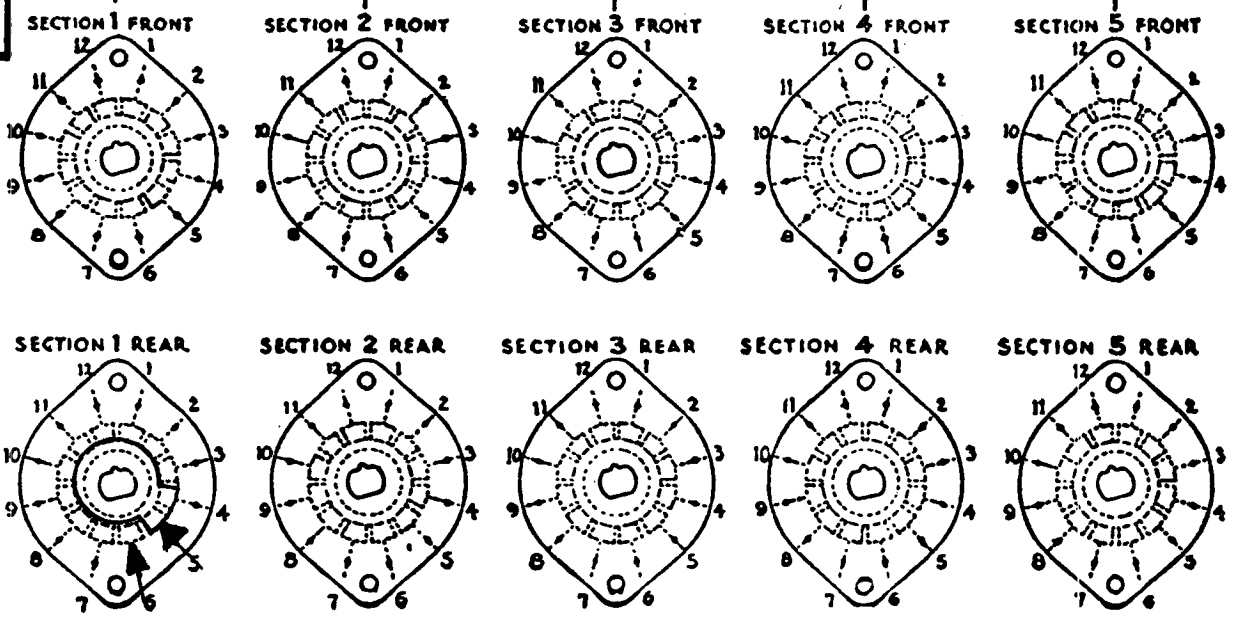
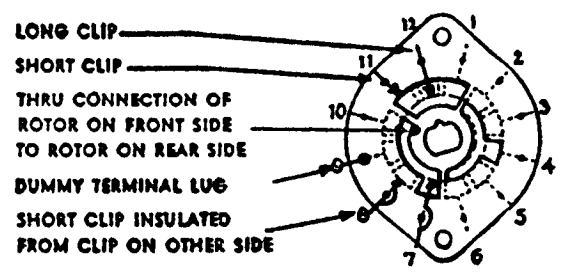


NUMBER OF SECTIONS 1

NUMBER OF POSITIONS 2

ANGLE OF THROW 30 (30° OR 60°)

SYMBOLS USED IN MARKING PRINT



OUTLINE ROTOR BLADES AS SHOWN ABOVE WITH SWITCH IN EXTREME COUNTER-CLOCKWISE POSITION

SPECIFICATIONS

SHORTING TYPE CONTACTS NON-SHORTING IF NOT SPECIFIED SHORTING TYPE WILL BE SUPPLIED.

INSULATION: BAKELITE MYCALEX SPECIFY IMPREGNATION IF REQUIRED

FINISH REQUIREMENTS: COMMERCIAL ; ARMY ; NAVY ; SALT TEST (IF ANY GIVE DETAILS)

CONTACTS AND ROTORS: SILVER PLATED BRASS ; SOLID SILVER ALLOY ; IF NOT SPECIFIED SILVER PLATED BRASS WILL BE SUPPLIED.

MOUNTING HARDWARE: SUPPLY 1 3/8" .32 NUTS 2 ACROSS FLATS; MATERIAL B PLATING Ni

1 3/8" INTERNAL TOOTH LOCKWASHER; MATERIAL B PLATING Ni

STAMP PART NUMBER SW-194 ON FRONT PLATE, YES NO

CUSTOMER NOTES

Model MSR

B.F.O. ON-OFF SW.

THE TECHNICAL MATERIAL CORPORATION
MAMARONECK, NEW YORK

DATE Feb. 14, 1957	CHKD. P.L.K.
DRAWN P.L.K.	APPD. H.J.
SHEET OF	NO. SW-194

CUSTOMER

OAK MFG. CO.

1260 CLYBURN AVE., CHICAGO 10, ILL.