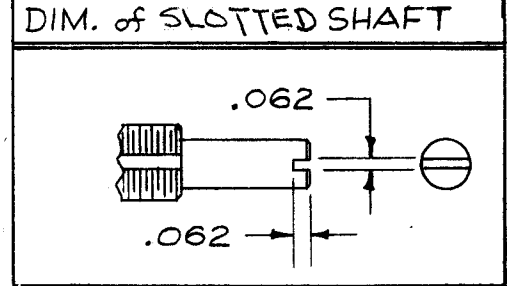
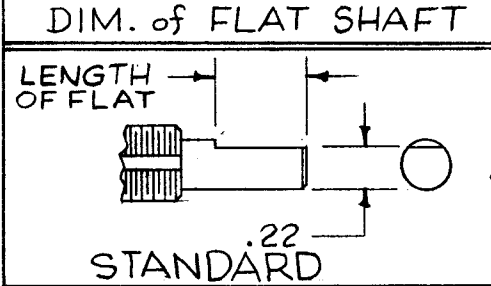


SW-192 A

NO. OF DECKS	1	2	3	4	5	6	7	8	9	10
DIM. "A"	$\frac{15}{32}$	$1\frac{1}{4}$	$1\frac{21}{32}$	$2\frac{1}{16}$	$2\frac{15}{32}$	$2\frac{7}{8}$	$3\frac{9}{32}$	$3\frac{11}{16}$	$4\frac{3}{32}$	$4\frac{1}{2}$

SHAFT STYLE	
F	FLATTED
R	ROUND
S	SLOTTED

SHAFT LENGTH			
LETTER DESIG.	ROUND OR FLATTED	SLOTTED	LENGTH OF FLAT
A	—	5/8	—
B	—	3/4	—
C	7/8	7/8	.375
D	1	1	.500
E	1 1/4	1 1/4	.625
F	1 1/2	1 1/2	.625
G	2	2	.625
H	2 1/2	2 1/2	.625
J	9/16	9/16	.250



NOTE: FLAT TO BE OPPOSITE POINT OF CONTACT.
SLOT TO BE DIRECTED AT POINT OF CONTACT.

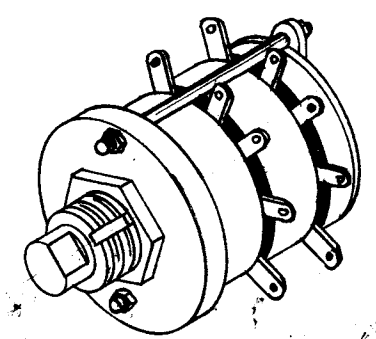
ELECTRICAL SPEC.
RATED TO BREAK AT 1 AMP., 115 VAC. NON-IND.
TO CARRY 5 AMPS, 115 VAC.

MECHANICAL SPEC.
STAINLESS STEEL SHAFT.
MAX. 10 POSITIONS.
CONTACTS 36° APART.
1 ea. MTG. NUT & WASHER (NON-TURN) SUPPLIED BY MFG. (LOOSE)

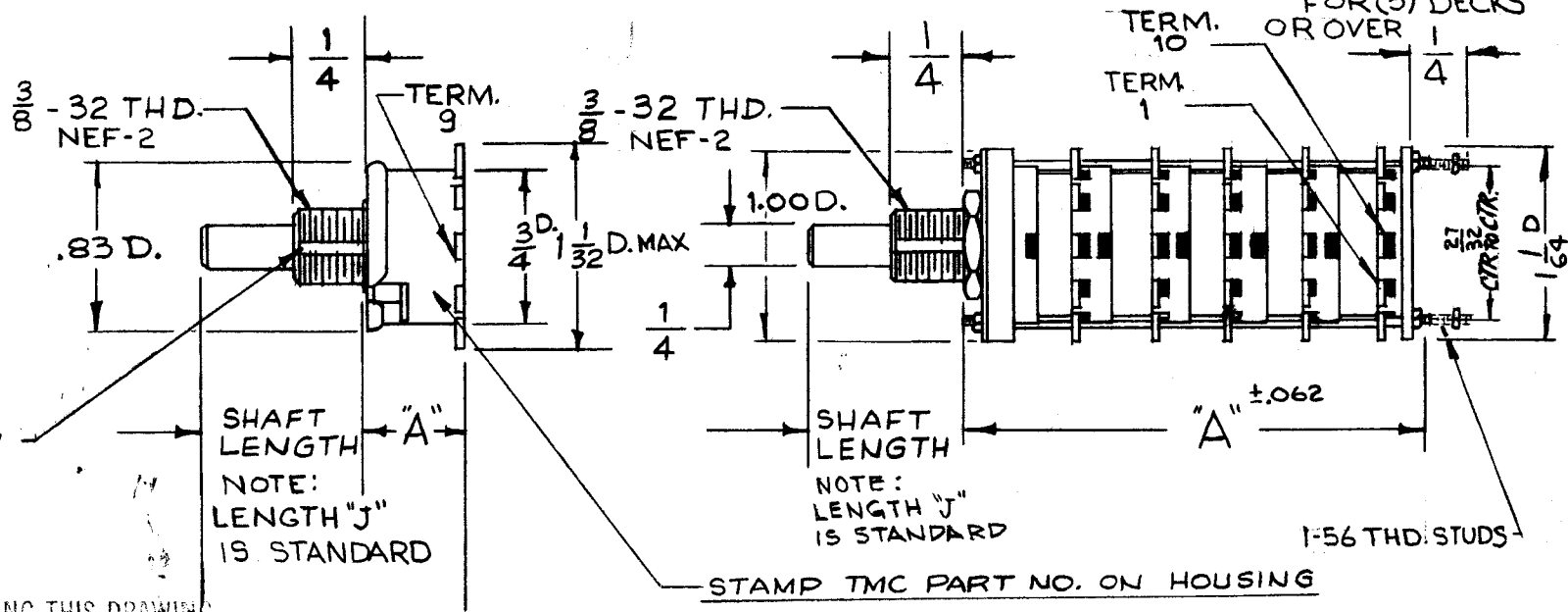
INSULATION MATERIAL:
MELAMINE TYPE MOLDED HOUSING

THE MAXIMUM CONTACT ARRANGEMENT AVAILABLE IS 10 DECKS, 10 POSITION PER DECK.
SWITCHES WITH FIVE DECKS OR OVER ARE SUPPLIED WITH REAR STUDS PROTRUDING 1/4" TO PROVIDE A MEANS OF DOUBLE-ENDED MOUNTING.

ISSUE ITEM	CHANGED FROM	DATE	CH. NO.	DRAFTS	CHECKER	ENG. APP.
A 1	SHAFT FLAT, NOTE, SPECS & PICT. CLARIFIED. SHAFT LENGTH "J" ADDED	8-14-63	9764	AK	JABY	[Signature]
TOLERANCES		SCALE:				
DEC. DIM. ±		MAXIMUM ALLOWABLE TOLERANCES HAVE BEEN DETERMINED AND ANY DEVIATIONS WILL BE CAUSE FOR REJECTION. REMOVE ALL BURRS AND SHARP EDGES				
FRAC. DIM. ±						
ANGULAR DIM. ±						
REQ. PER UNIT	MODEL	PROJECT NO.	ASS'Y. NO.	DATE	USED ON	



KEYWAY - .066 WIDE X .036 DEEP

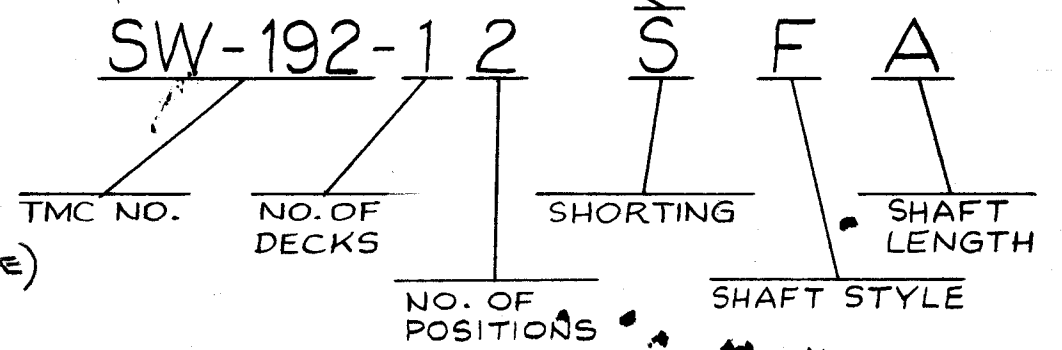


NOTICE TO PERSONS RECEIVING THIS DRAWING

THE TECHNICAL MATERIEL CORPORATION claims proprietary right in the material disclosed herein. This drawing is issued in confidence for engineering information only and may not be reproduced or used to manufacture anything shown herein without permission from THE TECHNICAL MATERIEL CORPORATION to the user. This drawing is loaned for mutual assistance and is subject to recall at any time.

Property of:
THE TECHNICAL MATERIEL CORPORATION
MAMARONECK, NEW YORK

NOTE: SWITCHES WILL BE EITHER ALL SHORTING, (MAKE BEFORE BREAK), OR ALL NON-SHORTING, (BREAK BEFORE MAKE).
"S" DESIGNATES SHORTING CONTACTS.
"N" DESIGNATES NON-SHORTING CONTACTS.(STD.)



REF: GRAYHILL SERIES 5000

REQ. ITEM	PART NO.	DESCRIPTION	SYMBOL
//		THE TECHNICAL MATERIEL CORP. MAMARONECK, NEW YORK	
//		SWITCH, ROTARY MINIATURE	
//		16 12-12-56	A.J.S.
//		DRAWN	CHECKED
//		FINISH & SPEC. NO.	ELEC. DES. APP. MECH. DES. APP.

SW-192 A