

STANDARD DRAWING

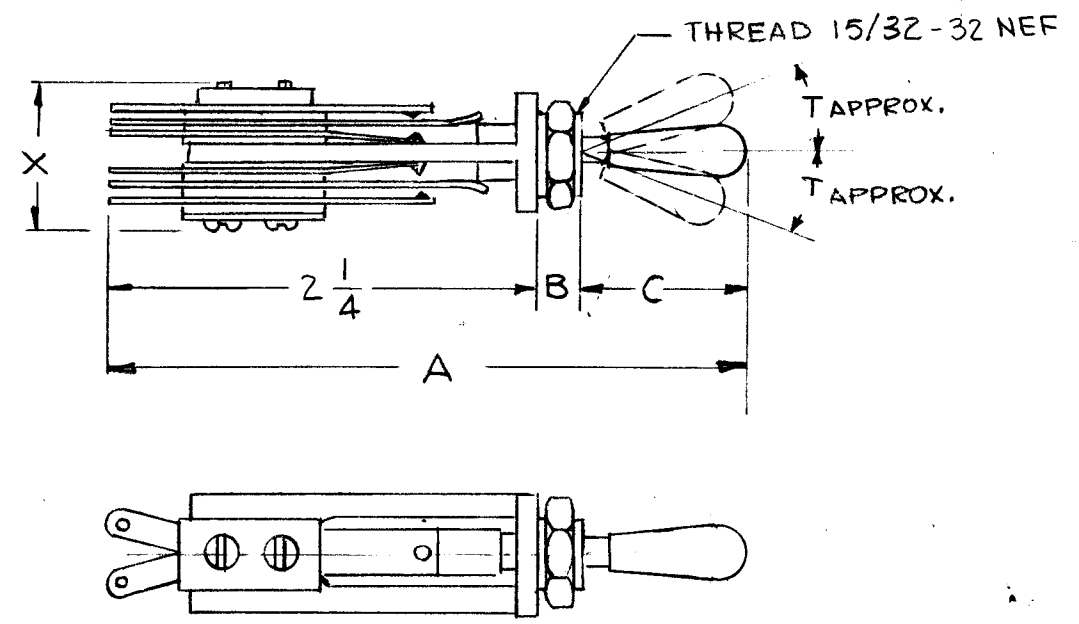
TMC PART No.	MFG PART No.	TYPE	CIRCUIT	A MAX.	B	C	T	X
SW 186	3033	3 POS. NON LOCK	1	3 11/32	13/64	7/8	30°	23/32
SW 186-2	13033	3 POS. NON LOCK	1	3 31/64	3/8	27/32	25°	23/32
SW 186-3	13036 MODIFIED	3 POS. ONE SIDE LOCK	2	3 31/64	3/8	27/32	25°	27/32

SW 186-1
M

REVISIONS					
SYM	DESCRIPTION	DATE	E.M.N. NO.	DRAFT	CHKD APPD
A	REDRAWN FROM SIZE 1 - SPECS. REVISED CHART, DIM. "C", NOTE & CIRCUIT 2 ADDED "A" & "B" DIMS. WERE 3/4 & 7/32	5/7/65	13912	G.D.L.	<i>[Signature]</i>
B	WHEN REQ., ADDED TO NOTE, LOCK NUT T-1053-1	5/14/65	15476	X.V.V.	<i>[Signature]</i>

SPECIFICATIONS

FRAME: HALF HARD BRASS, BRIGHT NICKEL PLATED.
 BUSHING AND SHAFT: MACHINED FROM BRASS, BRIGHT NICKEL PLATED.
 SPRINGS: SPRING TEMPERED NICKEL SILVER. NATURAL BRONZE USED AS AN ALTERNATE.
 INSULATION : PAPER BASE PHENOLIC SPACERS WITH PLASTIC (HARD RUBBER SOMETIMES SUBSTITUTED) TUBING THROUGH THE STACK. LIFTERS OF PUNCHED PHENOLIC OR MACHINED FIBRE. NYLON INSULATION ON ACTUATOR.
 KNOB: BLACK MOLDED PLASTIC THREADS TO ACTUATOR SHAFT. OTHER COLORS MACHINED FROM KOLONITE.
 MOUNTING HARDWARE: SUPPLIED WITH ONE HEX NUT NICKEL PLATED BRASS LOCKNUT(T-1053-1);
 SILVER CONTACTS RATED AT 3 AMPS- 120 VOLTS AC NON INDUCTIVE LOAD.

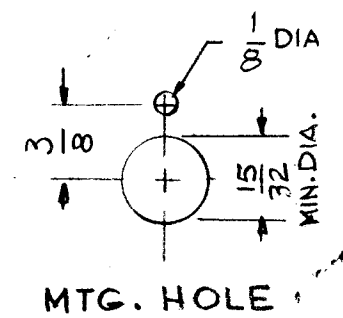
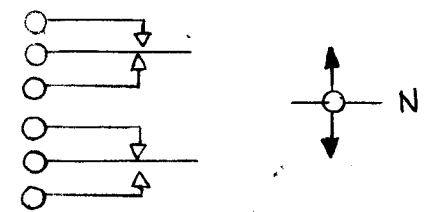


NOTE: SEE WA 100 FOR NON TURN LOCK RING WHEN REQ.

CIRCUIT 1



CIRCUIT 2



MTG. HOLE

REQ'D.	ITEM	PART NUMBER	DESCRIPTION	SYMBOL
--------	------	-------------	-------------	--------

LIST OF MATERIAL

MATERIAL		THE TECHNICAL MATERIEL CORP. MAMARONECK, NEW YORK			
FINISH		TITLE SWITCH, 2 POSITION NON LOCKING (S304)			
UNLESS OTHERWISE SPECIFIED DIMENSIONS ARE IN INCHES AND INCLUDE CHEMICALLY APPLIED OR PLATED FINISHES		DRAWN G.D.L. CHECKED <i>[Signature]</i> ELECT. DES. <i>[Signature]</i> MECH. DES.	DATE 5-7-65 DATE 5/7/65 DATE DATE	FINAL APPROVAL <i>[Signature]</i> SW 186-	DATE 5/10/65 B SHEET REV. LTR.

NOTES

THE CONTENTS OF THIS DRAWING ARE THE EXCLUSIVE PROPERTY OF THE TECHNICAL MATERIEL CORP. ITS UNAUTHORIZED USE OR REPRODUCTION IN WHOLE OR IN PART IS STRICTLY FORBIDDEN.