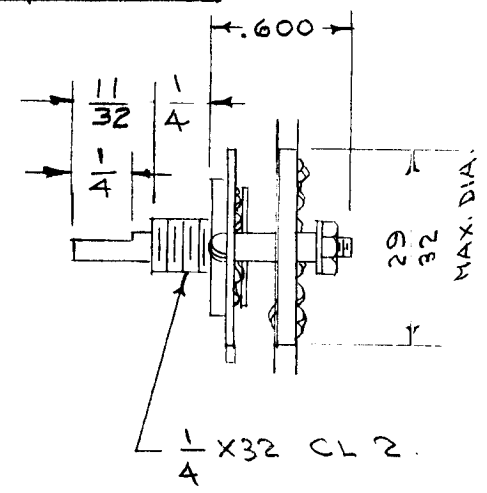
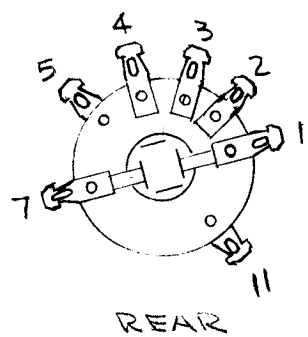
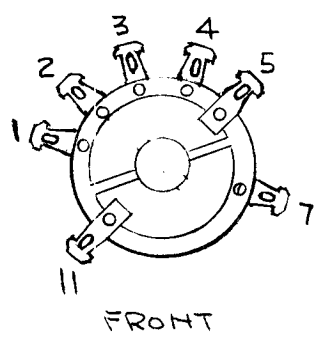
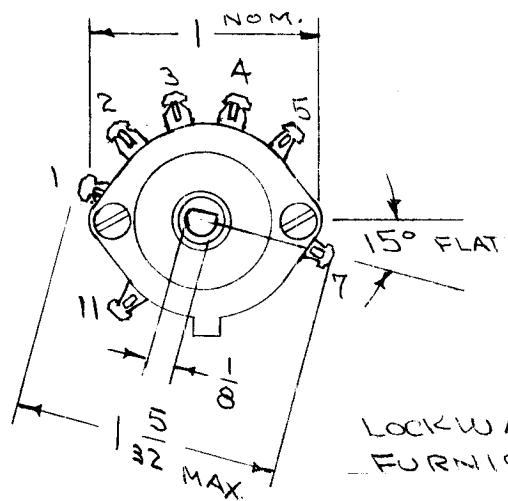


ANGLE OF THROW 30°  
 NO OF POSITIONS 4, STOP AT 4th POS.  
 CONTACTS & WIPERS - SILVER ALLOY  
 INSULATION MATERIAL - GLASS MELAMINE LAMINATE

REQ. PER UNIT	USED ON		
	MODEL	ASS'Y. NO.	DATE
1	FFRD-1,2,3		3-22-56
2	SBE-2		5-5-58
2	SBE-3	AP-101	11-30-59

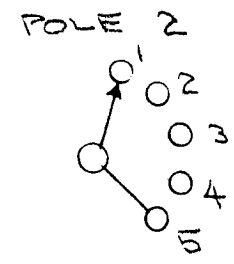
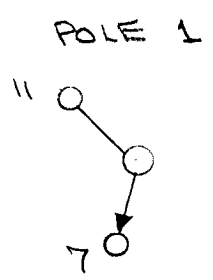
SW-181 D



LOCKWASHER, HEX NUT & SMALL KNOB FURNISHED WITH SWITCH.

CONTACT RESISTANCE - .015 Ω MAX.  
 DIELECTRIC STRENGTH - 1000 V RMS MIN.  
 INSULATION RESISTANCE - 100 meg Ω MIN.  
 CURRENT CARRYING CAP. - 1 A. at 50V DC  
 CURRENT BREAKING CAP. - 250 MA AT 50V DC. OR NON INDUCTIVE AC LOAD  
 TORQUE - APPROX 1 1/2 IN/LBS.

CONTACTS - SHORTING  
 NON TURN DEVICE - NONE



ISSUE	ITEM	CHANGED FROM	DATE	CH. NO.	DRAFTS	CHECKER	ENG. APP.
D	2	LUGS CHG'D TO J-B-T TYPE	6-5-63	9134			
	1	INPL INST INC REF DELETED					
C	1	1 FLAT DELETED	9/16/57	3			
B	2	STOP CLARIFIED	2/27/57	2			
	1	FRONT VIEW CORRECTED					
A	1	MECHANICAL & INSUL. DATA ADDED	6/15/56	1			

REQ. ITEM	PART NO.	DESCRIPTION	SYMBOL
		THE TECHNICAL MATERIEL CORP. MAMARONECK, NEW YORK	
		STOCK SIZE	
		MATERIAL	
		SW-181	D