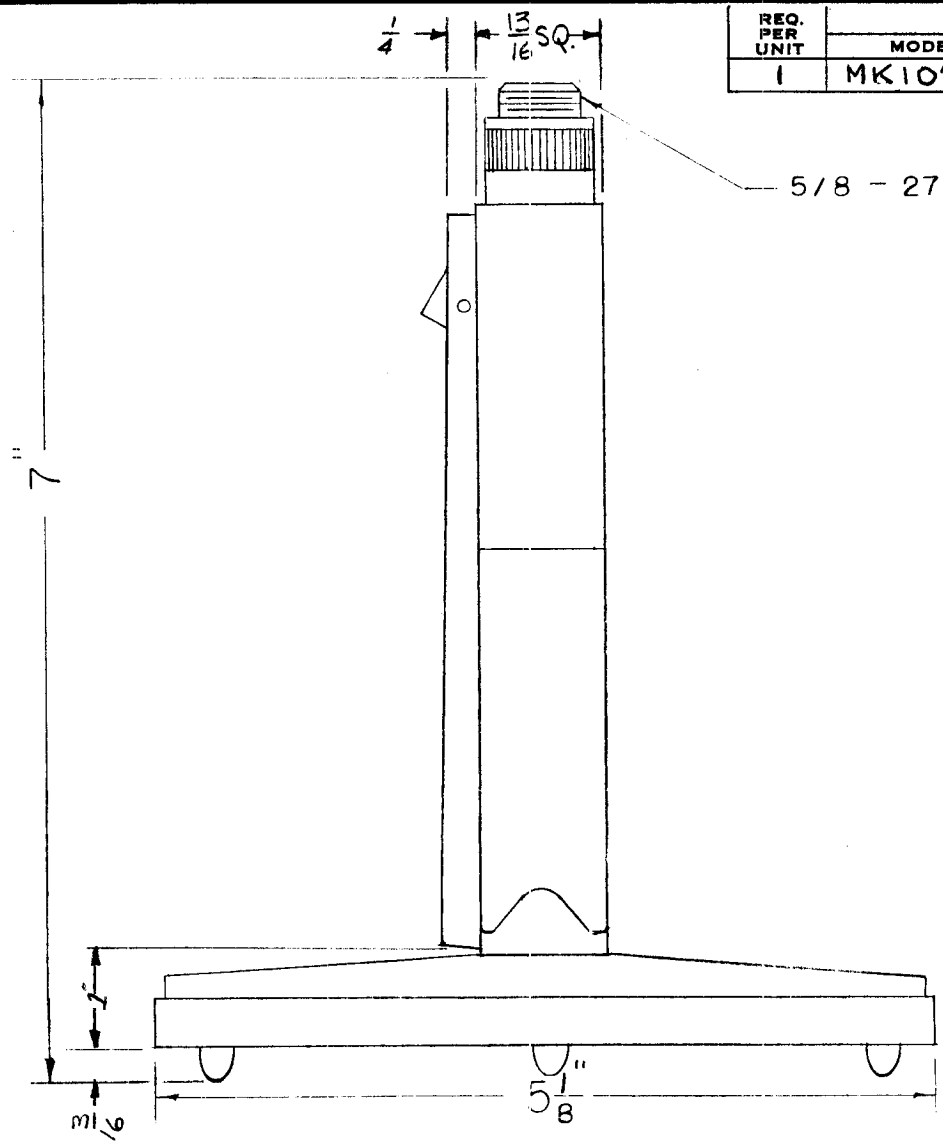


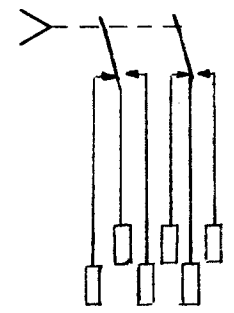
REQ. PER UNIT	USED ON			SW 178	C
	MODEL	ASS'Y. NO.	DATE		
1	MK102	A1190			



5/8 - 27 THREAD

ELECTRICAL SPECIFICATIONS

SWITCH: DPDT



MATERIAL: DIECAST ZINC, PLASTIC
 FINISH: NON REFLECTING GRAY
 WEIGHT: 1-3/4 POUNDS.
 DIMENSIONS FOR REF ONLY

REQ. ITEM	PART NO.	DESCRIPTION	SYMBOL														
C		Finish was Non Reflecting Gray															
B		UPDATE TITLE															
A		CLERICAL CHANGE															
ISSUE	ITEM	CHANGED FROM	DATE	CH. NO.	DRAFTS	CHECKER	ENG. APP.	REQ. ITEM	PART NO.	DESCRIPTION	SYMBOL						
			11/19/71	20476	CW					THE TECHNICAL MATERIEL CORP. MAMARONECK. NEW YORK							
			12/2/65	15452	F.V.					STOCK SIZE							
			8.24.64		WB					MATERIAL							
TOLERANCES								SCALE: S401-306 (428)									
DEC. DIM. ±								MAXIMUM ALLOWABLE TOLERANCES HAVE BEEN DETERMINED AND ANY DEVIATIONS WILL BE CAUSE FOR REJECTION.									
FRAC. DIM. ±								REMOVE ALL BURRS AND SHARP EDGES									
ANGULAR DIM. ±																	
								TYPE & TEMPER		HEAT TREAT. SPEC.		DRAWN		CHECKED		FINAL APPROVAL	
												P/1-5-56		AJJ			
								FINISH & SPEC. NO.		ELEC. DES. APP.		MECH. DES. APP.		SW 178		C	