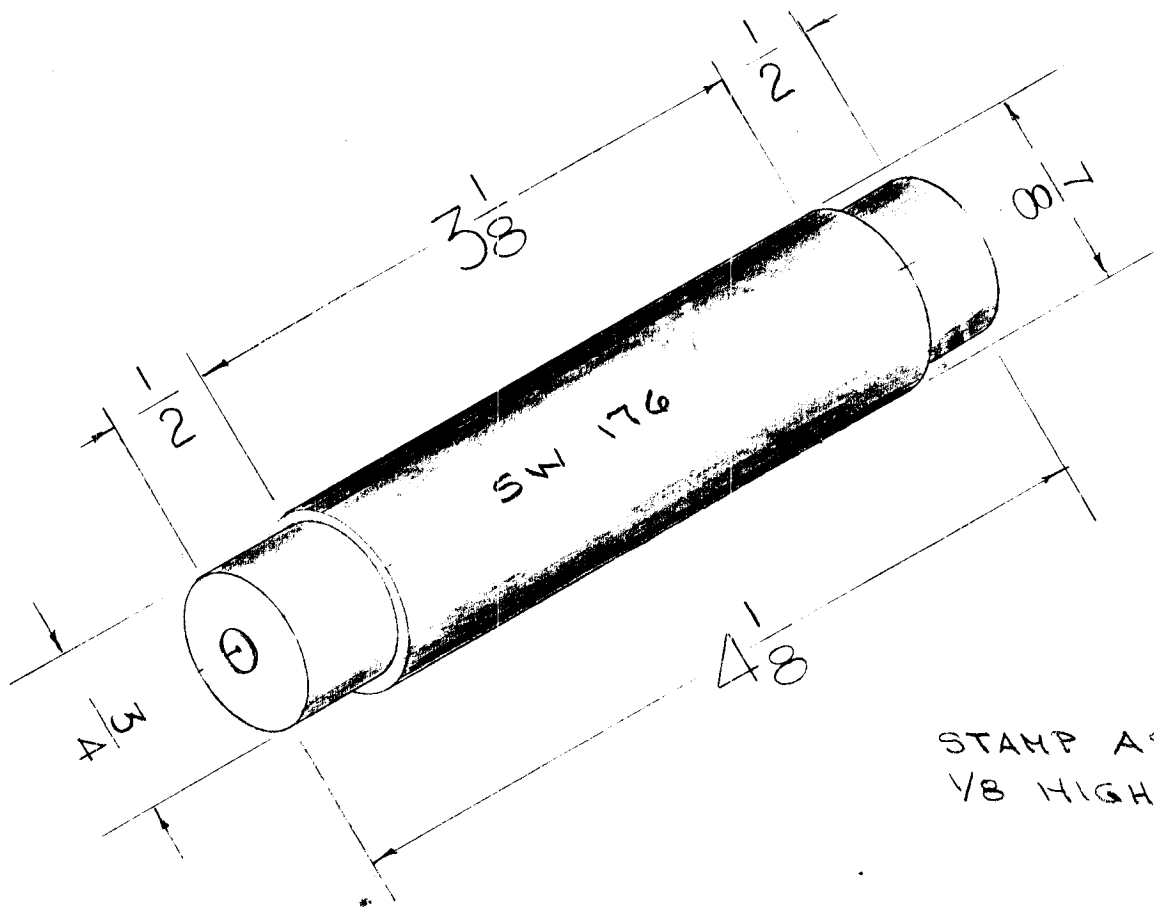


REQ. PER UNIT	USED ON		
	MODEL	ASS'Y. N.	DATE
2	RAC-30	A-1122	11/3/55
2	RAC-30A	A-1176	2/6/56

SW-176



STAMP AS SHOWN  
 1/8 HIGH BLACK GOTHIC

								REQ. ITEM	PART NO.	DESCRIPTION	SYMBOL	
										<b>THE TECHNICAL MATERIEL CORP.</b> MAMARONECK. NEW YORK LIGHTNING ARRESTOR		
								STOCK SIZE				
								MATERIAL				
ISSUE	ITEM	CHANGED FROM	DATE	CH. NO.	DRAFTS	CHECKER	ENG. APP.	MATERIAL				
TOLERANCES			SCALE:		A-1131					PC	FAW	ARB
DEC. DIM. ±			MAXIMUM ALLOWABLE TOLERANCES HAVE BEEN DETERMINED AND ANY DEVIATIONS WILL BE CAUSE FOR REJECTION. REMOVE ALL BURRS AND SHARP EDGES					TYPE & TEMPER	HEAT TREAT. SPEC.	DRAWN	CHECKED	FINAL APPROVAL
FRAC. DIM. ±								FINISH & SPEC. NO.		ELEC. DES. APP.	MECH. DES. APP.	
ANGULAR DIM. ±												