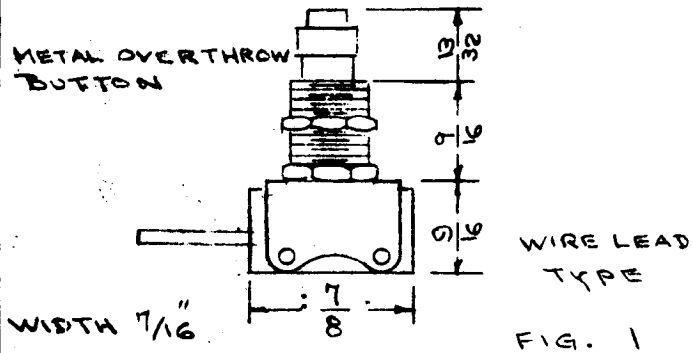


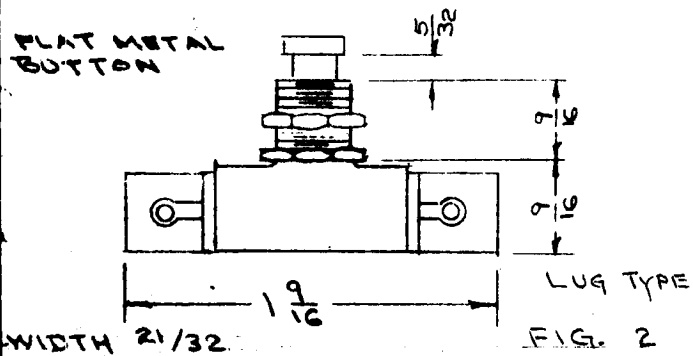
STANDARD DRAWING

PER UNIT	USED ON		DATE	SW-168	C
	M DEL	ASSY. NO.			



CIRCUITS	
SPST	Single Pole-Single Throw
DPST	Double Pole-Single Throw
SPDT	Single Pole-Double Throw
DPDT	Double Pole-Double Throw

CONTACT		
1	Wire Leads	Fig. 1
2	Solder Lugs	Fig. 2
3	Screw	Fig. 3



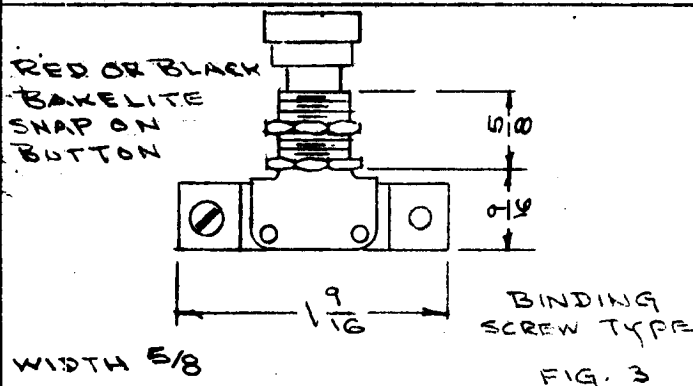
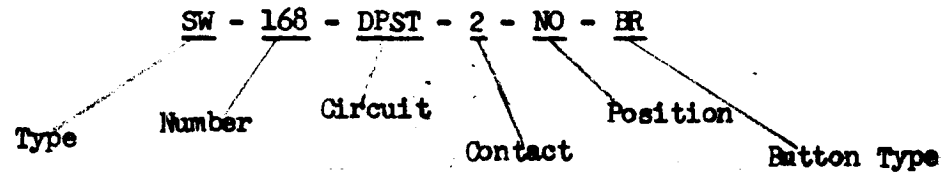
POSITION	
NO	Normally Open
NC	Normally Closed

BUTTON TYPE	
ER	Red Bakelite Snap on Button
BB	Black Bakelite Snap on Button
M	Metal Button
W	Metal Overthrow Button

BASE: - Bakelite
 KEY WAY: - Required
 1 Ampere - 250 Volts
 3 Ampere - 125 Volts
 15/32x32 Thread on Sleeve

2 Hex Nut Supplied By Manufacturer

Type Designation To Be In Following Form



NOTE: Adhere to this drawing wherever possible, special configuration available on Req.

Ref: Arrow-Hart & Hegeman Elec. Co. Series 359----

REQ.	ITEM	PART NO.	DESCRIPTION	SYMBOL
			THE TECHNICAL MATERIEL CORP. MAMARONECK. NEW YORK	
			SWITCH, PUSH BUTTON	
			MOMENTARY CONTACT	
			DRAWN: <i>[Signature]</i> CHECKED: <i>[Signature]</i> FINAL APPROVAL: <i>A.J.J.</i>	
			TYPE & TEMPER HEAT TREAT. SPEC.	
			FINISH & SPEC. NO.	
			ELEC. DES. APP. MECH. DES. APP.	
			SW-168	C

ISSUE	ITEM	CHANGED FROM	DATE	CH. NO.	DRAFTS	CHECKER	ENG. APP.
C	1	REF: WAS TYPE 3592	10-19-62	7507	ES	<i>[Signature]</i>	<i>[Signature]</i>
B	1	DPST-NAS-DPDT (TYPE DESIGNATION)	9-10-62	7206	SG	<i>[Signature]</i>	<i>[Signature]</i>
A		REDRAWN WITH PICTORIAL CLARIFICATION	5/2/56	1	<i>[Signature]</i>	<i>[Signature]</i>	<i>A.J.J.</i>

TOLERANCES

SCALE:

DEC. DIM. ±
 FRAC. DIM. ±
 ANGULAR DIM. ±

MAXIMUM ALLOWABLE TOLERANCES HAVE BEEN DETERMINED AND ANY DEVIATIONS WILL BE CAUSE FOR REJECTION. REMOVE ALL BURRS AND SHARP EDGES