

IF IT IS FOUND DESIRABLE TO CHANGE ANY TOLERANCE OR OTHER DETAIL SPECIFIED ON THIS DRAWING NOTIFY THE PURCHASER PROMPTLY.

# STANDARD DRAWING

SW-163 A

MAXIMUM ALLOWABLE TOLERANCES HAVE BEEN DETERMINED AND DEVIATIONS WILL BE CAUSE FOR REJECTION. REMOVE ALL BURRS AND SHARP EDGES

REQ. PER UNIT

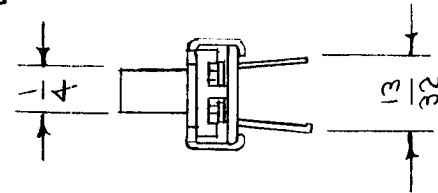
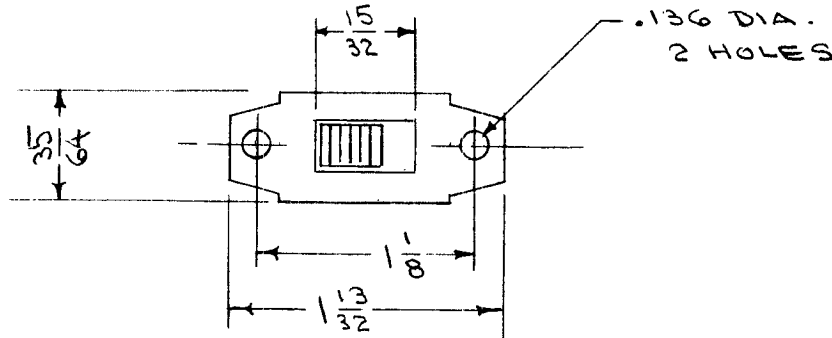
USED ON

MODEL

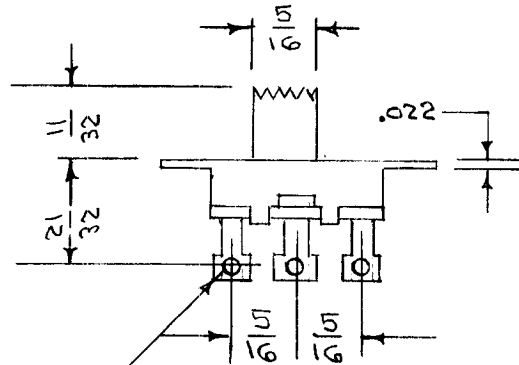
PROJECT NO.

ASS'Y. NO.

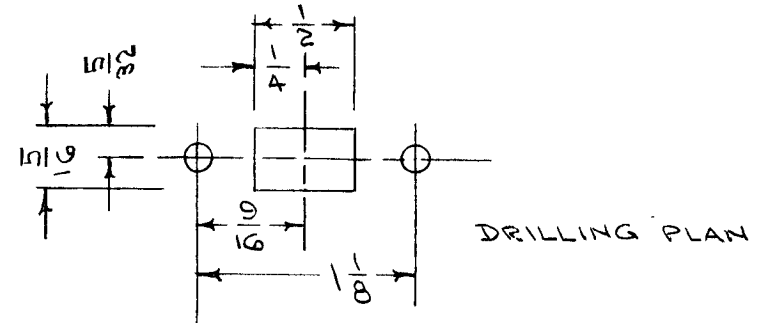
DATE



DP-DT  
RATED -.50A-  
125V  
AC-DC



.076 DIA.  
DIMENSIONS FOR REF. ONLY.



DRILLING PLAN

REF. STACKPOLE CAT. # SS-50

REQ.	ITEM	PART NO.	DESCRIPTION	SYMBOL
			<b>THE TECHNICAL MATERIEL CORP.</b>	
STOCK SIZE			MAMARONECK. NEW YORK	
			SWITCH, SLIDING	
MATERIAL		WEIGHT PER PC.		
TYPE & TEMPER			COD. A-12-55	
HEAT TREAT. SPEC.			G.T. J	
FINISH & SPEC. NO.			SW-163 A	

A	1	REF. WAS WIRT #SW726	12/4/55	1	JAB	CDG	WJC
ISSUE	ITEM	CHANGED FROM	DATE	CN. NO.	DRAFTS	CHECKER	ENG. APP.

TOLERANCES		SCALE
ALL OTHERS	DEC. DIM. ± FRAC. DIM. ± ANGULAR DIM. ±	DRILL, PUNCH, COMMERCIAL STOCK SIZES AND MANUFACTURERS TOLERANCES ARE NOT INCLUDED.