

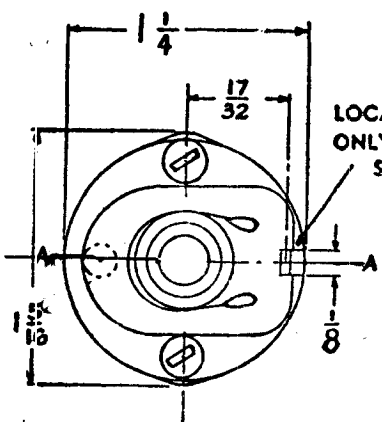
CUSTOMER'S DRAWING PART NO.

CUSTOMER THE TECHNICAL MFG. CO.

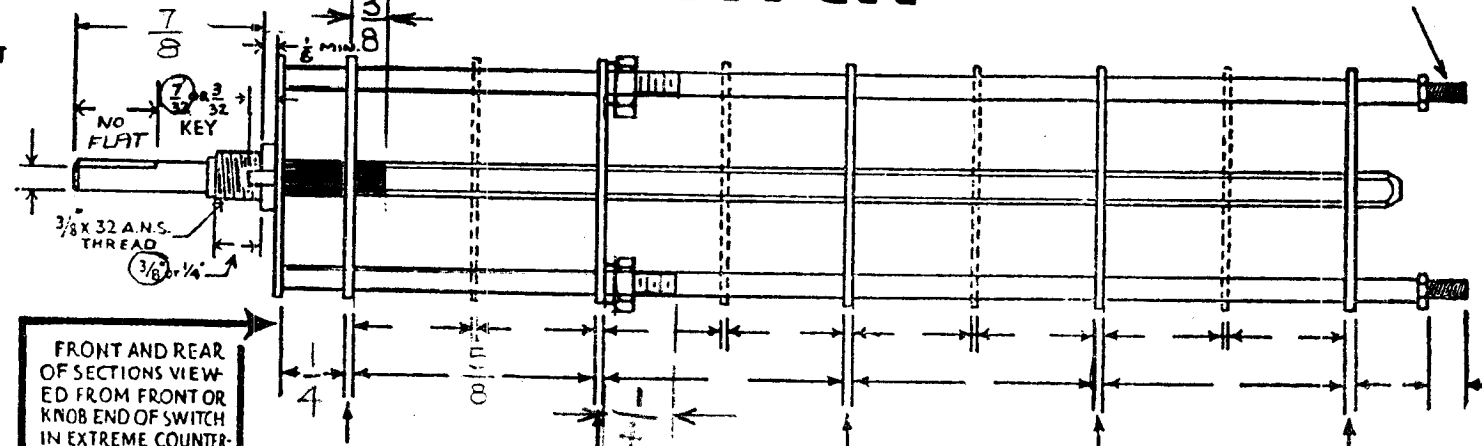
OAK MFG. CO. 1260 CLYBORN AVE., CHICAGO 10, ILL.

OAK TYPE F SWITCH

SW-156-B 4-40 THREAD



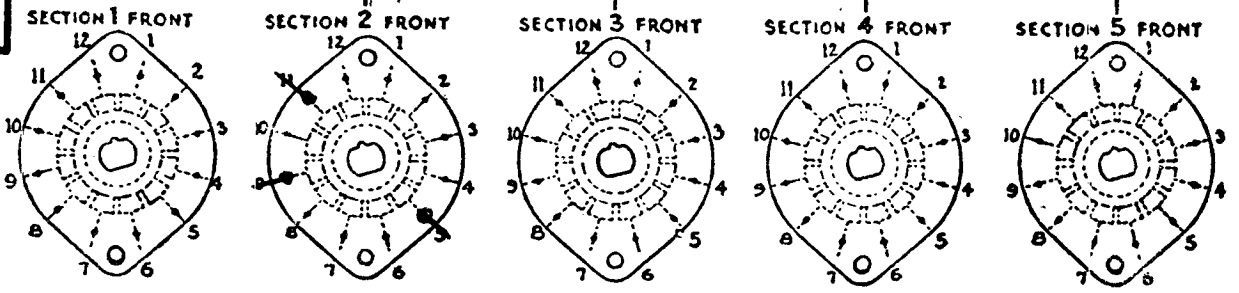
LOCATING KEY ONLY AT POINT SHOWN



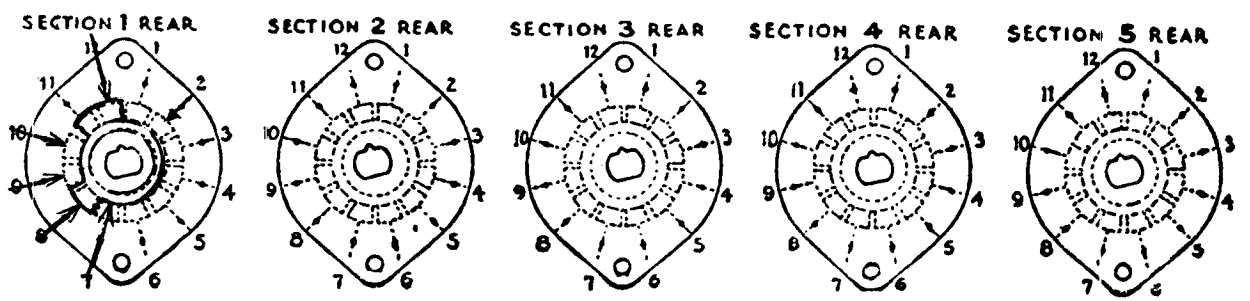
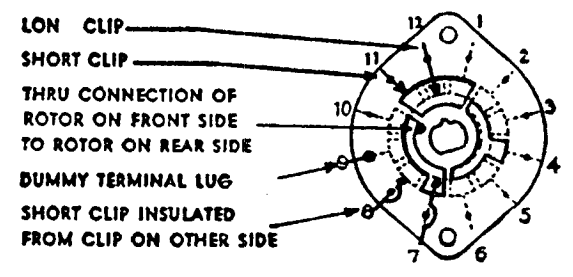
SHOW CUT AWAY PORTION OF FLAT IN BLACK AND GIVE ANGLE TO LINE A-A. $\pm 3^\circ$ STANDARD RMA KNURLED AND SLOTTED SHAFT ALSO AVAILABLE

FRONT AND REAR OF SECTIONS VIEWED FROM FRONT OR KNOB END OF SWITCH IN EXTREME COUNTER-CLOCKWISE POSITION

NUMBER OF SECTIONS 2
 NUMBER OF POSITIONS 3
 ANGLE OF THROW 30° (30° OR 60°)



SYMBOLS USED IN MARKING PRINT



OUTLINE ROTOR BLADES AS SHOWN ABOVE WITH SWITCH IN EXTREME COUNTER-CLOCKWISE POSITION

ISSUE A - 1/2 CONTACT ADDED 1/22/66
 ISSUE B - DIM. 5/8 WAS 3/4 - 8-1-66 16679 RME

CUSTOMER NOTES

SW-156-B
 GPR-297
 AUDIO SELECTIVITY
 P.L.K. G.T.O.
 #1- WOC DATE 11/12/54

SPECIFICATIONS

SHORTING TYPE CONTACTS NON-SHORTING IF NOT SPECIFIED SHORTING TYPE WILL BE SUPPLIED.
 INSULATION: BAKELITE MYCALEX SPECIFY IMPREGNATION IF REQUIRED
 FINISH REQUIREMENTS: COMMERCIAL ; ARMY ; NAVY ; SALT TEST (IF ANY GIVE DETAILS)
 CONTACTS AND ROTORS: SILVER PLATED BRASS ; SOLID SILVER ALLOY ; IF NOT SPECIFIED SILVER PLATED BRASS WILL BE SUPPLIED.
 MOUNTING HARDWARE: SUPPLY 3/8" - 32 NUTS Y2 ACROSS FLATS; MATERIAL BR. PLATING NK
 3/8" INTERNAL TOOTH LOCKWASHER; MATERIAL BR. PLATING NK
 STAMP PART NUMBER SW156 ON FRONT PLATE, YES NO