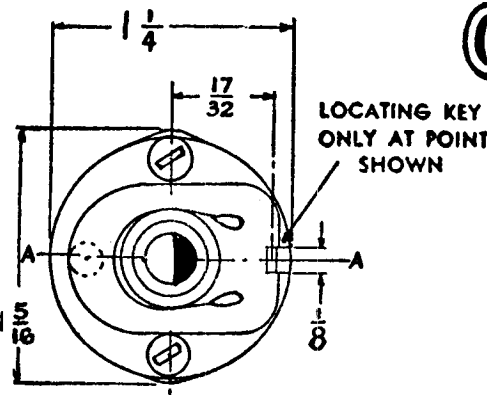


CUSTOMER'S SW-149
 The Technical Material Corp.
 CUSTOMER
 OAK MFG. CO.
 1260 CLYBORN AVE., CHICAGO 10, ILL.

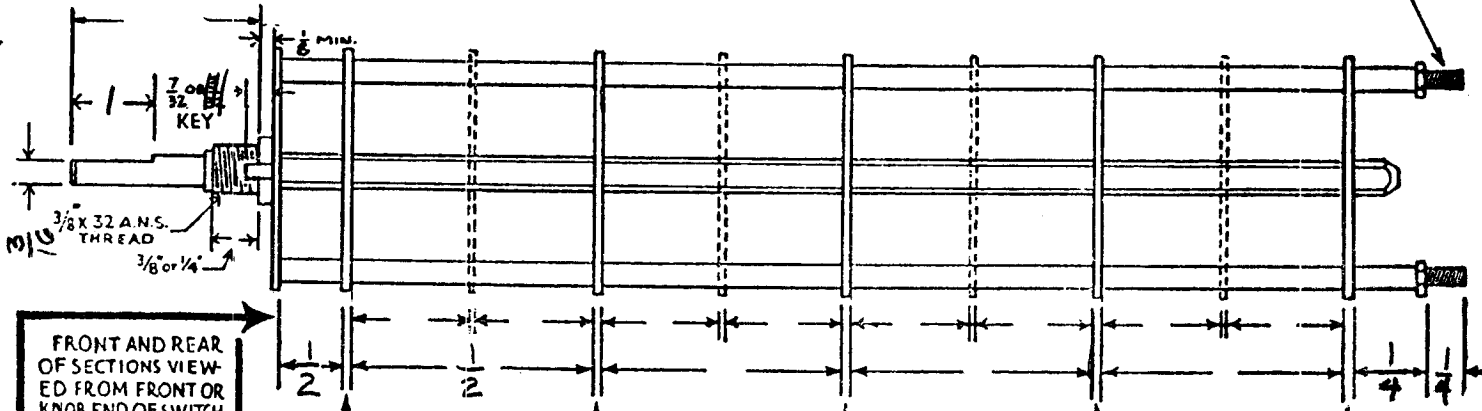
OAK TYPE F SWITCH

SW-149

4-40 THREAD



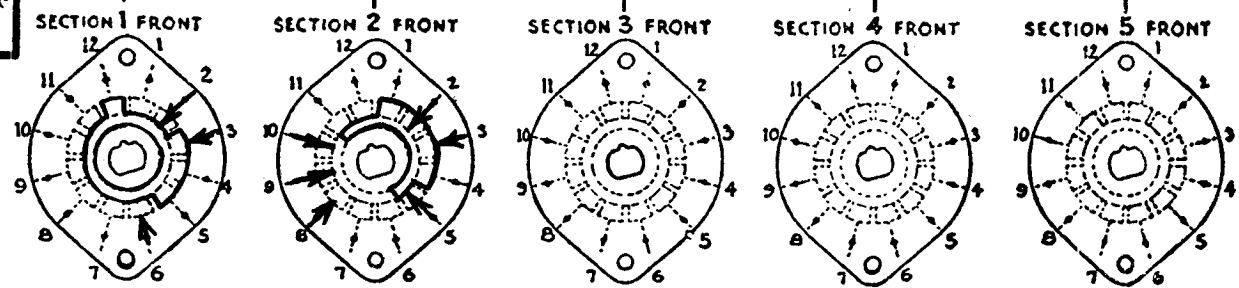
LOCATING KEY ONLY AT POINT SHOWN



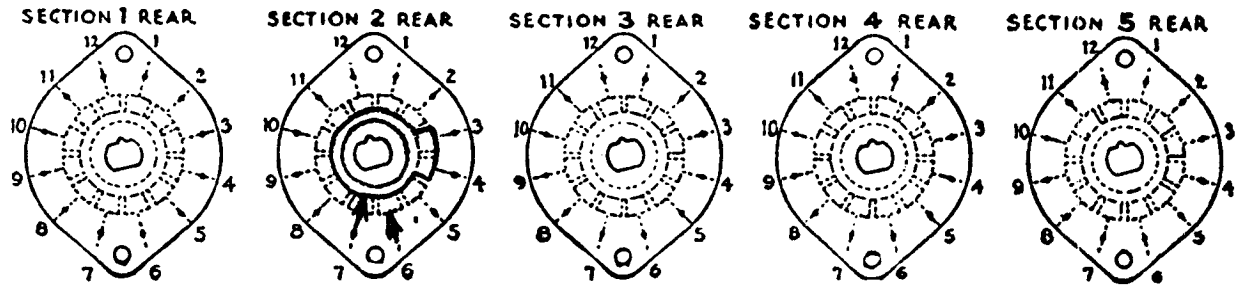
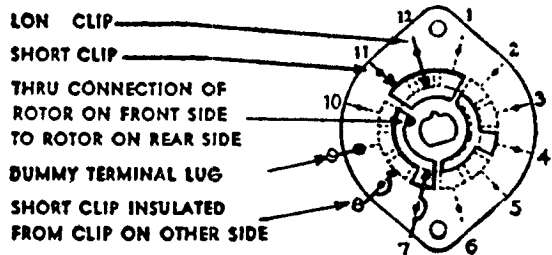
SHOW CUT AWAY PORTION OF FLAT IN BLACK AND GIVE ANGLE TO LINE A-A. ± 3° STANDARD RMA KNURLLED AND SLOTTED SHAFT ALSO AVAILABLE

FRONT AND REAR OF SECTIONS VIEWED FROM FRONT OR KNOB END OF SWITCH IN EXTREME COUNTER-CLOCKWISE POSITION

NUMBER OF SECTIONS 2
 NUMBER OF POSITIONS 6
 ANGLE OF THROW 30 (30° OR 60°)



SYMBOLS USED IN MARKING PRINT



CUSTOMER NOTES

OUTLINE ROTOR BLADES AS SHOWN ABOVE WITH SWITCH IN EXTREME COUNTER-CLOCKWISE POSITION

SPECIFICATIONS

SHORTING TYPE CONTACTS NON-SHORTING IF NOT SPECIFIED SHORTING TYPE WILL BE SUPPLIED.
 INSULATION: 1/16 BAKELITE 1/8 MYCALEX SPECIFY IMPREGNATION IF REQUIRED.
 FINISH REQUIREMENTS: COMMERCIAL ; ARMY ; NAVY ; SALT TEST (IF ANY GIVE DETAILS) 100HR.
 CONTACTS AND ROTORS: SILVER PLATED BRASS ; SOLID SILVER ALLOY ; IF NOT SPECIFIED SILVER PLATED BRASS WILL BE SUPPLIED.
 MOUNTING HARDWARE: SUPPLY 1 3/8" . 32 NUTS 2 ACROSS FLATS; MATERIAL BRASS PLATING Nickel
1 3/8" INTERNAL TOOTH LOCKWASHER; MATERIAL BRASS PLATING Nickel
 STAMP PART NUMBER SW-149 ON FRONT PLATE, YES NO
 (NUMBER)

AUDIO SWITCH, VTR		
THE TECHNICAL MATERIAL CORP.		
July 27, 1954	SW-149	
P.L.K.	G.T.O	DAY