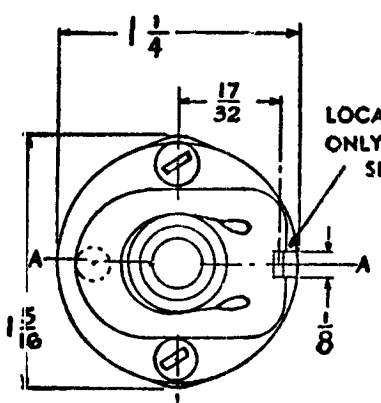


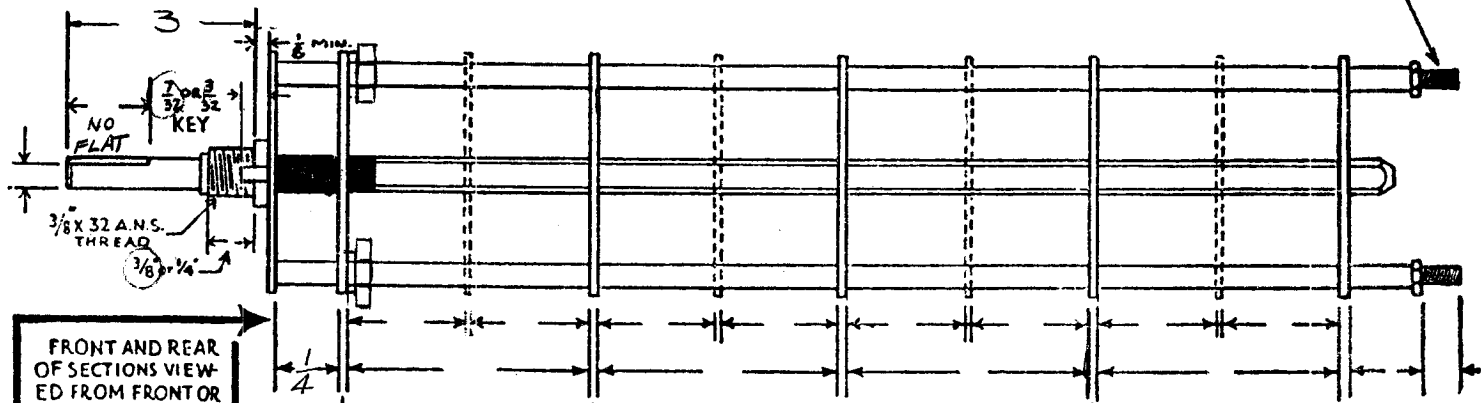
SW-147

OAK TYPE F SWITCH

4-40 THREAD



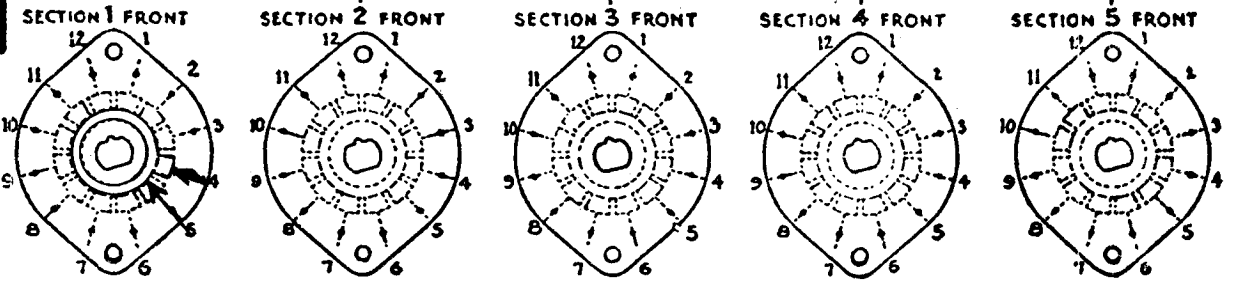
LOCATING KEY ONLY AT POINT SHOWN



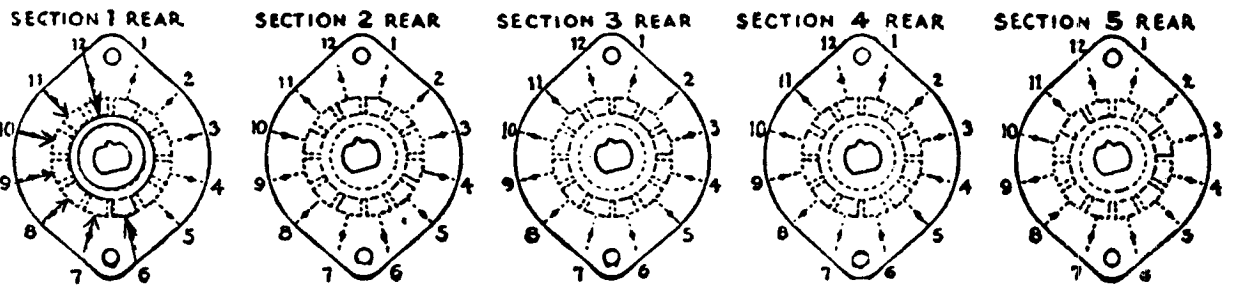
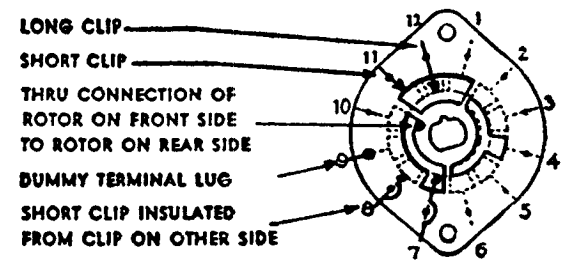
SHOW CUT AWAY PORTION OF FLAT IN BLACK AND GIVE ANGLE TO LINE A-A. $\pm 3^\circ$ STANDARD RMA KNURLED AND SLOTTED SHAFT ALSO AVAILABLE

FRONT AND REAR OF SECTIONS VIEWED FROM FRONT OR KNOB END OF SWITCH IN EXTREME COUNTER-CLOCKWISE POSITION

NUMBER OF SECTIONS $\frac{1}{6}$
 NUMBER OF POSITIONS $\frac{1}{6}$
 ANGLE OF THROW 30° (30° OR 60°)



SYMBOLS USED IN MARKING PRINT



OUTLINE ROTOR BLADES AS SHOWN ABOVE WITH SWITCH IN EXTREME COUNTER-CLOCKWISE POSITION

SPECIFICATIONS

SHORTIN TYPE CONTACTS NON-SHORTING IF NOT SPECIFIED SHORTING TYPE WILL BE SUPPLIED.
 INSULATION: $\frac{1}{16}$ BAKELITE $\frac{1}{8}$ MYCALEX SPECIFY IMPREGNATION IF REQUIRED.
 FINISH REQUIREMENTS: COMMERCIAL ; ARMY ; NAVY ; SALT TEST (IF ANY GIVE DETAILS)
 CONTACTS AND ROTORS: SILVER PLATED BRASS ; SOLID SILVER ALLOY ; IF NOT SPECIFIED SILVER PLATED BRASS WILL BE SUPPLIED.
 MOUNTING HARDWARE: SUPPLY $\frac{1}{8}$ " . 32 NUTS $\frac{1}{2}$ " ACROSS FLATS; MATERIAL BR. PLATING NK.
 $\frac{1}{8}$ " INTERNAL TOOTH LOCKWASHER; MATERIAL BR. PLATING NK.
 STAMP PART NUMBER SW 147 ON FRONT PLATE, YES N

CUSTOMER NOTES	
SWITCH, ROTARY CRYSTAL SELECTIVITY	
THE TECHNICAL MATERIEL CORPORATION	
MAMARONECK NEW YORK	
DATE 4/1/55	APPD. P. R.
DRAWN H.H.	APPD. G.T.O.
SHEET 1 OF 1	NO SW 147

GPR-90

REV-A - 3" DIM WAS 2 7/8 IN PICT - 11-26-63 - EMM 10570 - 100
 CUSTOMER THE TECHNICAL MATERIEL CORPORATION
 CUSTOMER'S SW 147
 OAK MFG. CO.
 1260 CLYBORN AVE., CHICAGO 10, ILL.