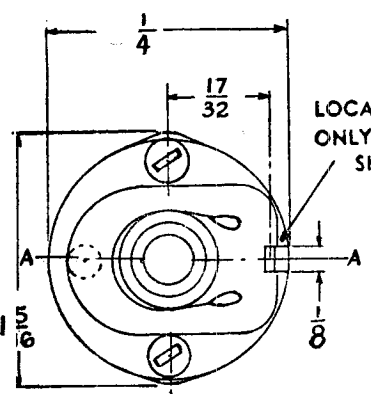
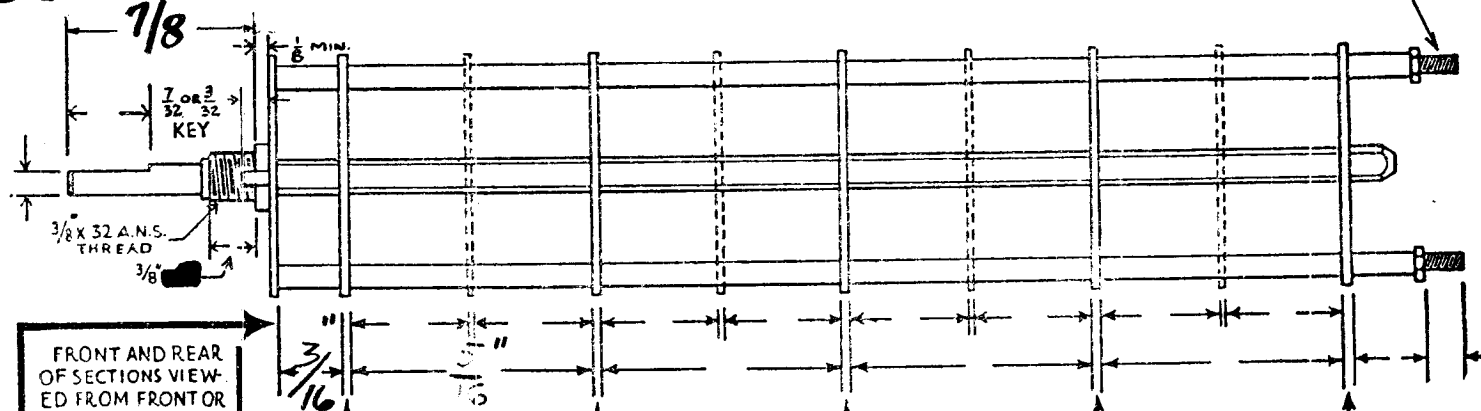


OAK TYPE F SWITCH

CUSTOMER **THE TECHNICAL MATERIEZ CORPORATION** CUSTOMER'S SW-122 PART NO.

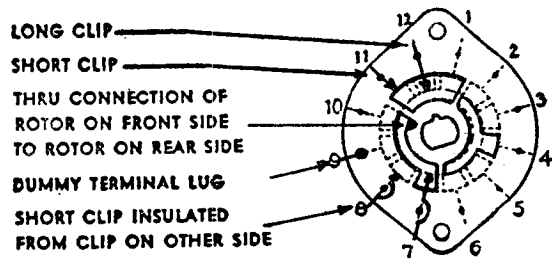


SHOW CUT AWAY PORTION OF FLAT IN BLACK AND GIVE ANGLE TO LINE A-A. $\pm 3^\circ$ STANDARD RMA KNURLED AND SLOTTED SHAFT ALSO AVAILABLE

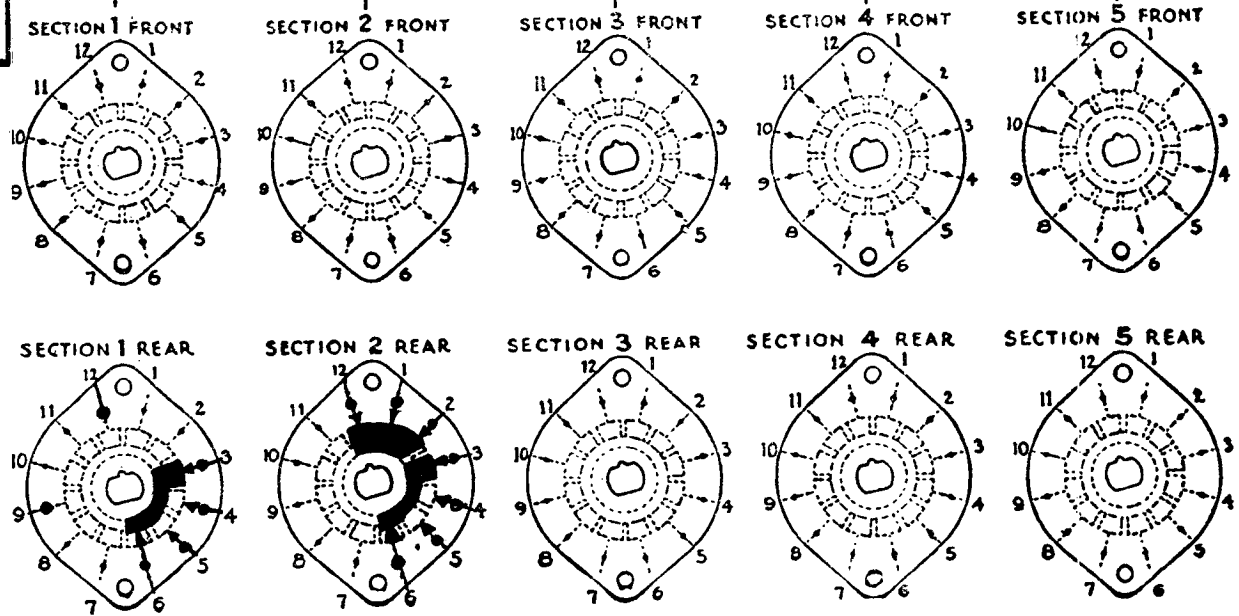


NUMBER OF SECTIONS 2
 NUMBER OF POSITIONS 3
 ANGLE OF THROW 30° (30° OR 60°)

SYMBOLS USED IN MARKING PRINT



OUTLINE ROTOR BLADES AS SHOWN ABOVE WITH SWITCH IN EXTREME COUNTER-CLOCKWISE POSITION



CUSTOMER NOTES

SI, DVM

NOTE: REPLACES AES018 OR AES030

SW-122

SUPERCEDES AES034

0918
G.T.O

DATE 11/23/51

SPECIFICATIONS

SHORTING TYPE CONTACTS NON-SHORTING IF NOT SPECIFIED SHORTING TYPE WILL BE SUPPLIED.
 INSULATION: BAKELITE MYCALEX SPECIFY IMPREGNATION IF REQUIRED
 FINISH REQUIREMENTS: COMMERCIAL ; ARMY ; NAVY ; SALT TEST (IF ANY GIVE DETAILS) 200hr
 CONTACTS AND ROTORS: SILVER PLATED BRASS ; SOLID SILVER ALLOY ; IF NOT SPECIFIED SILVER PLATED BRASS WILL BE SUPPLIED.
 MOUNTING HARDWARE: SUPPLY 1 $\frac{3}{8}$ " - 32 NUTS 1/2" ACROSS FLATS; MATERIAL BR PLATING N.P.
1 $\frac{3}{8}$ " INTERNAL TOOTH LOCKWASHER; MATERIAL P.B PLATING N.P.
 STAMP PART NUMBER SW-122 ON FRONT PLATE, YES NO
 (NUMBER)