

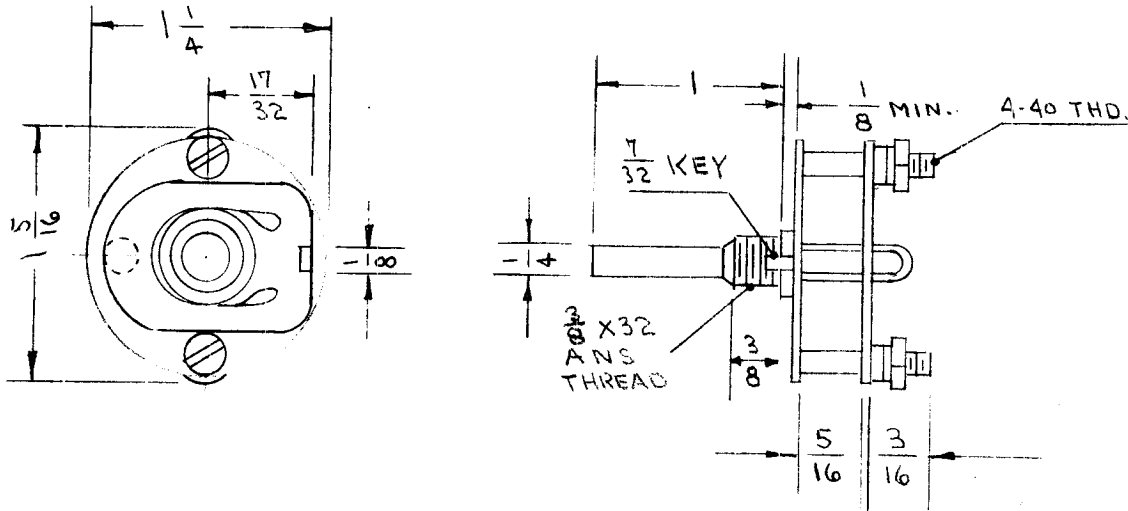
IF IT IS FOUND DESIRABLE TO CHANGE ANY TOLERANCE OR THEIR DETAIL SPECIFIED ON THIS DRAWING NOTIFY THE PURCHASER PROMPTLY.

SW-104

MAXIMUM ALLOWABLE TOLERANCES HAVE BEEN DETERMINED AND DEVIATIONS WILL BE CAUSE FOR REJECTION. REMOVE ALL BURRS AND SHARP EDGES

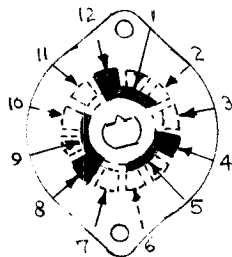
USED ON

MODEL	PROJECT NO.	ASS'Y. NO.	DATE
DMK-4	140	A-154	9-20-57



NO. OF SECTIONS 1  
 NO. OF POSITIONS 2  
 ANGLE OF THROW 30°  
 SHAFT - ROUND  
 NON-SHORTING  
 INSULATION - MYCALEX  
 CONTACTS & ROTOR - SILVER PLATED  
 BRASS.

MUST PASS 50 HR. SALT SPRAY TEST.  
 STAMP SW-104 ON FRONT PLATE.  
 METAL PARTS EXCEPT TERMINALS AND  
 CONTACTS SHALL BE CADMIUM PLATED  
 AND CHROMATE DIPPED.



SECTION REAR

REF.: OAK TYPE NO.

REQ.	ITEM	PART NO.	DESCRIPTION	SYMBOL
	#		THE TECHNICAL MATERIEL CORP.	
		STOCK SIZE	MAMARONECK, NEW YORK	
	#	#	SWITCH, ROTARY	
		MATERIAL	WEIGHT PER PC.	
		TYPE & TEMPER	C.O.D. 9-4-52	
			DRAWN	ELEC. DES. APP. MECH. DES. APP.
			H.K.C.	
		HEAT TREAT. SPEC.	CHECKED	FINAL APPROVAL
		FINISH & SPEC. NO.		SW-104

ISSUE	ITEM	CHANGED FROM	DATE	CN. NO.	DRAFTS	CHECKER	ENG. APP.
TOLERANCES			SCALE				
ALL OTHERS	DEC. DIM. ±	FRAC. DIM. ±	AN ULAR DIM. ±	DRILL, PUNCH, COMMERCIAL STOCK SIZES AND MANUFACTURERS TOLERANCES ARE NOT INCLUDED.			