

IF IT IS FOUND DESIRABLE TO CHANGE ANY TOLERANCE OR OTHER DETAIL SPECIFIED ON THIS DRAWING NOTIFY THE PURCHASER PROMPTLY.

MAXIMUM ALLOWABLE TOLERANCES HAVE BEEN DETERMINED AND DEVIATIONS WILL BE CAUSE FOR REJECTION. REMOVE ALL BURRS AND SHARP EDGES

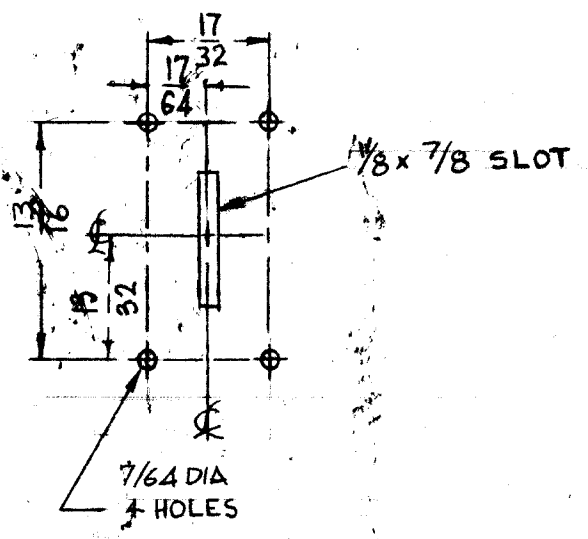
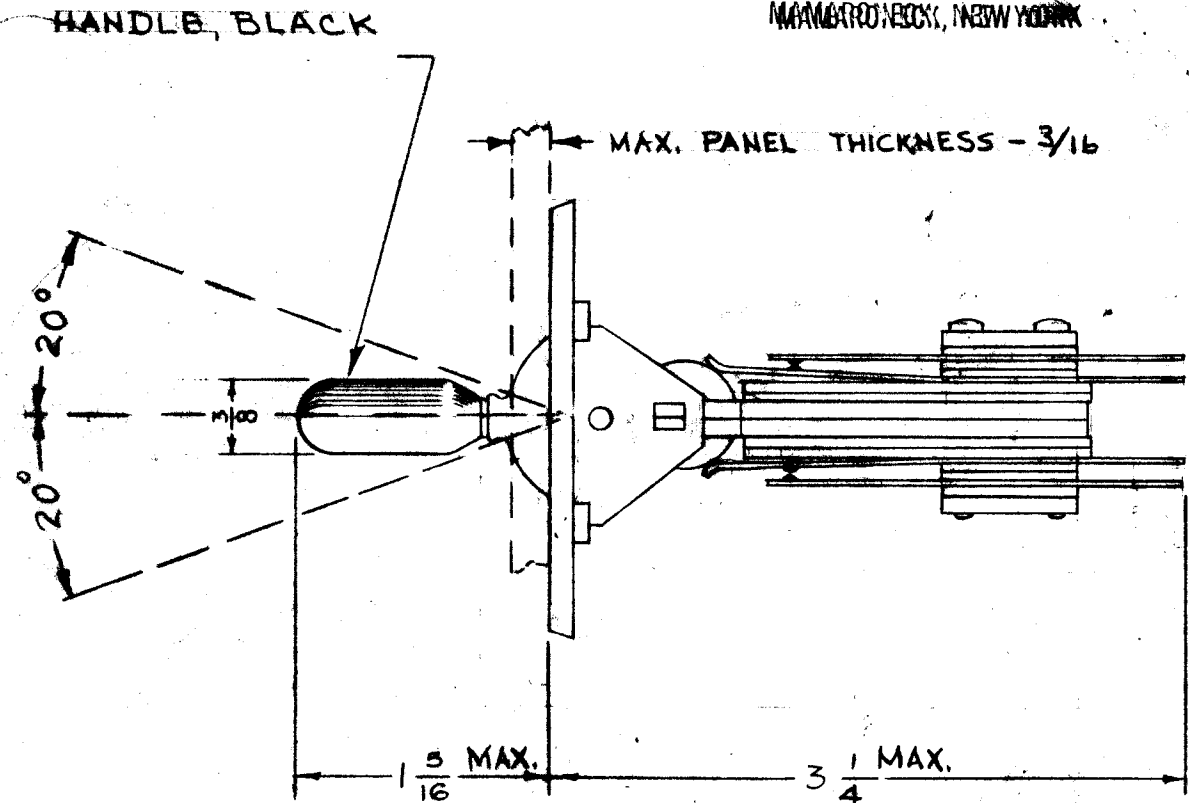
**NOTICE TO PERSONS RECEIVING THIS DRAWING**

THE TECHNICAL MATERIEL CORPORATION claims proprietary right in the material disclosed hereon. This drawing is issued in confidence for engineering information only and may not be re-used or used to manufacture anything of any kind without permission from THE TECHNICAL MATERIEL CORPORATION by the user. This drawing is loaned for mutual assistance and is subject to recall at any time.

Prepared at:

THE TECHNICAL MATERIEL CORPORATION  
MAMARONECK, NEW YORK

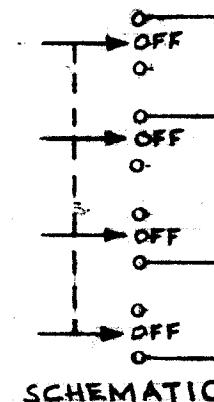
A  
SW 103



MOUNTING DIMENSIONS

DIMENSIONS FOR REF. ONLY

CONTACTS:  
QUANTITY 4  
TYPE FORM A (N.O.)  
POSITION 3 NON LOCKING



SCHEMATIC

CONTACT RATING: NON INDUCTIVE  
110 V. 60 AC, 150 WATTS.

S401-154 (6030)  
S401-357 (4610)  
S401-80 (A-46605)

**STANDARD DRAWING**

REQ.	ITEM	PART NO.	DESCRIPTION	SYMBOL
		— H —	THE TECHNICAL MATERIEL CORP. MAMARONECK. NEW YORK	
		STOCK SIZE		
		— H —	SWITCH, LEVER KEY.	
		MATERIAL		
		WEIGHT PER PC.		
		— H —		
		TYPE & TEMPER		
		— H —		
		HEAT TREAT. SPEC.		
		— H —		
		FINISH & SPEC. NO.		

ISSUE	ITEM	CHANGED FROM	DATE	CH. NO.	DRAFTS	CHECKER	ENG. APP.
A		COMP. REVISED PER ENR #13827	4-20-55	13827	J.F.	J.C.B.	J.F.

ALL OTHERS	DEC. DIM. ± FRAC. DIM. ± ANGULAR DIM. ±	DRILL, PUNCH, COMMERCIAL STOCK SIZES AND MANUFACTURERS TOLERANCES ARE NOT INCLUDED.
------------	---	---

VOX-1			6-7-55
VOX	101	A-631	10-8-52
MODEL	PROJECT NO.	ASS'Y. NO.	DATE

USED ON

SW103

IF IT IS FOUND DESIRABLE TO CHANGE ANY TOLERANCE OR OTHER DETAIL SPECIFIED ON THIS DRAWING NOTIFY THE PURCHASER PROMPTLY.

MAXIMUM ALLOWABLE TOLERANCES HAVE BEEN DETERMINED AND DEVIATIONS WILL BE CAUSE FOR REJECTION. REMOVE ALL BURRS AND SHARP EDGES

**NOTICE TO PERSONS RECEIVING THIS DRAWING**

THE TECHNICAL MATERIEL CORPORATION claims proprietary right in the material disclosed hereon. This drawing is issued in confidence for engineering information only and may not be re-used or used to manufacture anything shown hereon without permission from THE TECHNICAL MATERIEL CORPORATION to the user. This drawing is loaned for mutual assistance and is subject to recall at any time.

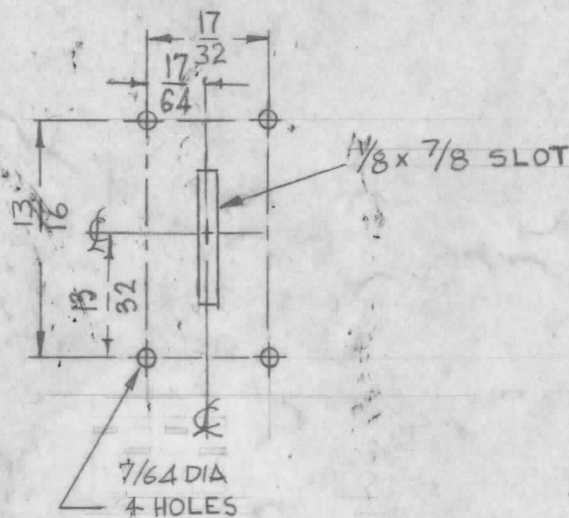
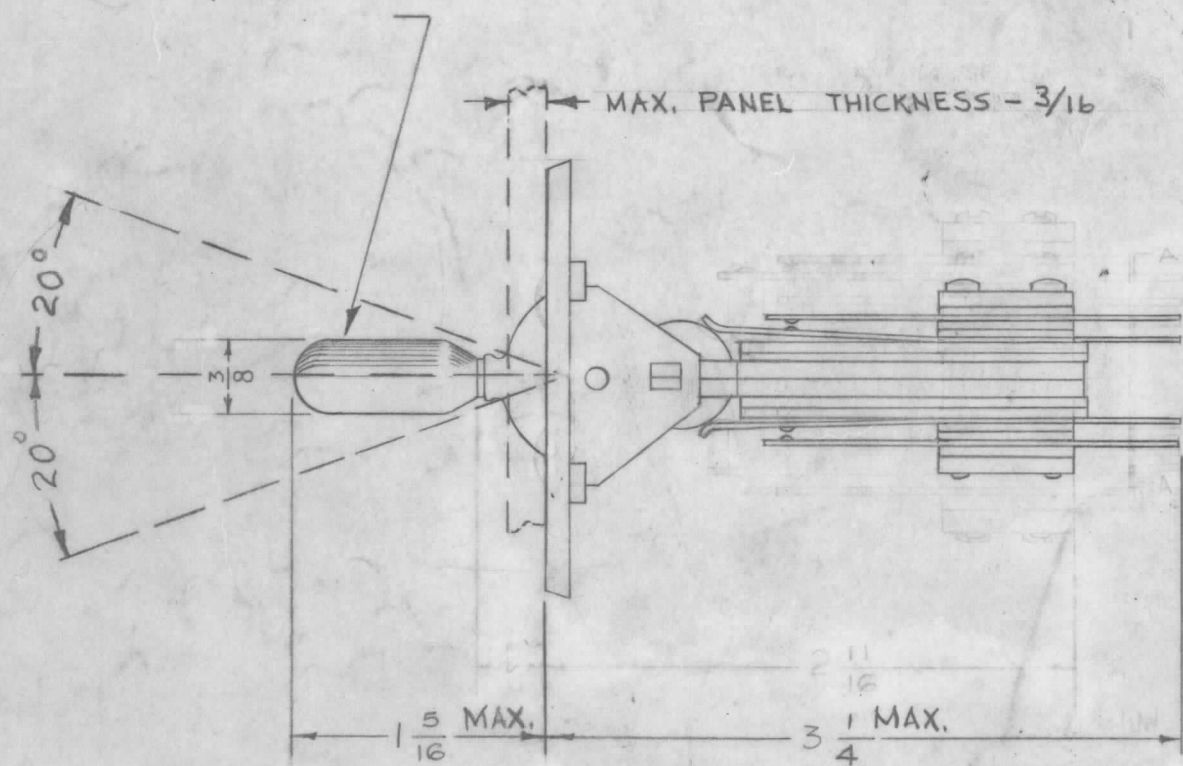
Property of:

THE TECHNICAL MATERIEL CORPORATION  
MAMARONECK, NEW YORK

SW-103 A

3 POSITIONS:  
CENTER LOCKING - OFF  
UP POSITION - NON-LOCKING, 2 SPST ON  
DOWN POSITION - NON-LOCKING, 2 SPST ON

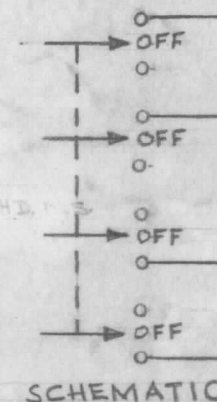
HANDLE, BLACK



MOUNTING DIMENSIONS

DETAIL OF 'A'

CONTACTS:  
QUANTITY 4  
TYPE FORM A (N.O.)  
POSITION 3 NON LOCKING



CONTACT RATING: NON INDUCTIVE  
110 V. 60~AC, 150 WATTS.

DIMENSIONS FOR REF. ONLY

S401-154 (6038)  
S401-357 (4610)  
S401-80 (A-46605)

**STANDARD DRAWING**

REQ.	ITEM	PART NO.	DESCRIPTION	SYMBOL
		—//—	THE TECHNICAL MATERIEL CORP. MAMARONECK. NEW YORK	
		STOCK SIZE		
		—//—	SWITCH, LEVER KEY.	
		MATERIAL		
		WEIGHT PER PC.		
		—//—		
		TYPE & TEMPER		
		—//—		
		HEAT TREAT. SPEC.		
		—//—		
		FINISH & SPEC. NO.		

ISSUE ITEM	CHANGED FROM	DATE	CN. NO.	DRAFTS	CHECKER	ENG. APP.
A	COMP. REVISED PER EMN #13827	4-20-55	13827	EE	QB	EE

TOLERANCES	SCALE:
ALL OTHERS DEC. DIM. ± FRAC. DIM. ± ANGULAR DIM. ±	1:1

MODEL	PROJECT NO.	ASS'Y. NO.	DATE
VOX-1	101	A-631	6-7-55
VOX-			10-8-52

USED ON