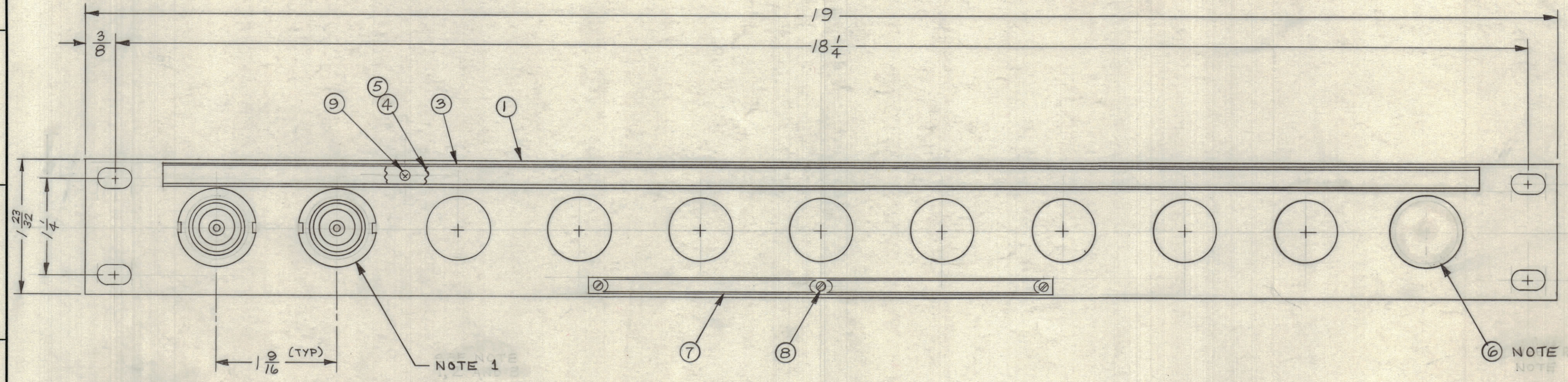


REVISIONS					
ZONE	SYM	DESCRIPTION	DATE	E.M.N. NO.	APPD

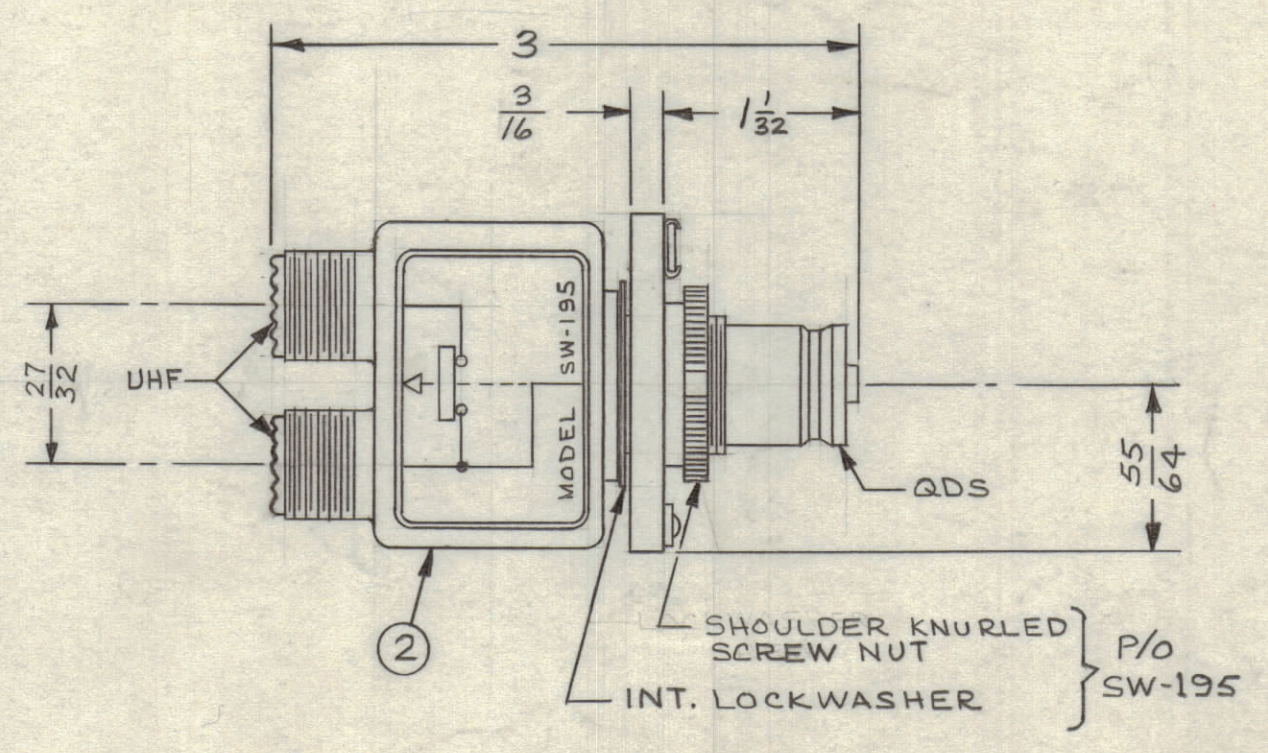


MODEL DESIGNATION

SPP-1 A 11

BASIC MODEL PANEL HEIGHT NO OF JACK SWITCHES

SPP-1A11	11	0
SPP-1A10	10	1
SPP-1A9	9	2
SPP-1A8	8	3
SPP-1A7	7	4
SPP-1A6	6	5
SPP-1A5	5	6
SPP-1A4	4	7
SPP-1A3	3	8
SPP-1A2	2	9
SPP-1A1	1	10
MODEL	QUAN. ITEM 2	QUAN. ITEM 6



- NOTES:**
- SWITCHES (ITEM 2) ARE MOUNTED FROM LEFT TO RIGHT.
 - WHEN SWITCH MOUNTING HOLES ARE NOT UTILIZED, PLUG BUTTONS (ITEM 6) ARE MOUNTED ON FACE OF PANEL.
 - REFER TO CHART FOR APPLICATION OF PLUG BUTTON (ITEM 6) WHEN REQUIRED.
 - ONE TMC SW-195 IS NAVY TYPE SA-598/U JACK SWITCH, REPLACES NAVY TYPE NT491388 ON JACK PANEL, J239/G. REF

REQ'D.	ITEM	PART NUMBER	DESCRIPTION	SYMBOL
X	12	S-692	TEST PROCEDURE	
1	11	TG-100	TAG, WARNING	
1	10	TP-109	WRENCH, SOCKET (LOOSE ITEM)	
6	9	SCFP0348BN5	SCREW, MACHINE	
3	8	SFB0256SN3	SCREW, THREAD CUTTING	
1	7	NP-251	NAMEPLATE, IDENTIFICATION	
SEE CHART	6	HB-101-5-G	BUTTON, PLUG	
1	5	PX-464-17	GUARD, TAB	
1	4	PR-102-17	TAB, PAPER	
1	3	MS-1656	HOLDER, CARD	
SEE CHART	2	SW-195	SWITCH, RF	
1	1	MS-1657	MACHINING, FRONT PANEL	

MARTINENGO LIST OF MATERIAL

MATERIAL ALUMINUM THE TECHNICAL MATERIEL CORP. MAMARONECK, NEW YORK

FINISH TMC SMOOTH GRAY SEMI-GLOSS ENAMEL TITLE PATCH PANEL, RF SWITCHING SINGLE QDS TO DUAL UHF

UNLESS OTHERWISE SPECIFIED DIMENSIONS ARE IN INCHES AND INCLUDE CHEMICALLY APPLIED OR PLATED FINISHES

DECIMALS: .X ± .05, .XX ± .01, .XXX ± .005 FRACTIONS: ± 1/64 ANGLES: ± 0° 30'

SCALE: SEE CHART MODEL USED ON: ASS'Y. NO.:

DRAWN M TANTILLO DATE 12-27-62 FINAL APPROVAL: [Signature] DATE: SHEET: SPP-1A11 REV. LTR.

NOTES

THE CONTENTS OF THIS DRAWING ARE THE EXCLUSIVE PROPERTY OF THE TECHNICAL MATERIEL CORP. ITS UNAUTHORIZED USE OR REPRODUCTION IN WHOLE OR IN PART IS STRICTLY FORBIDDEN.

SPP-1A11