

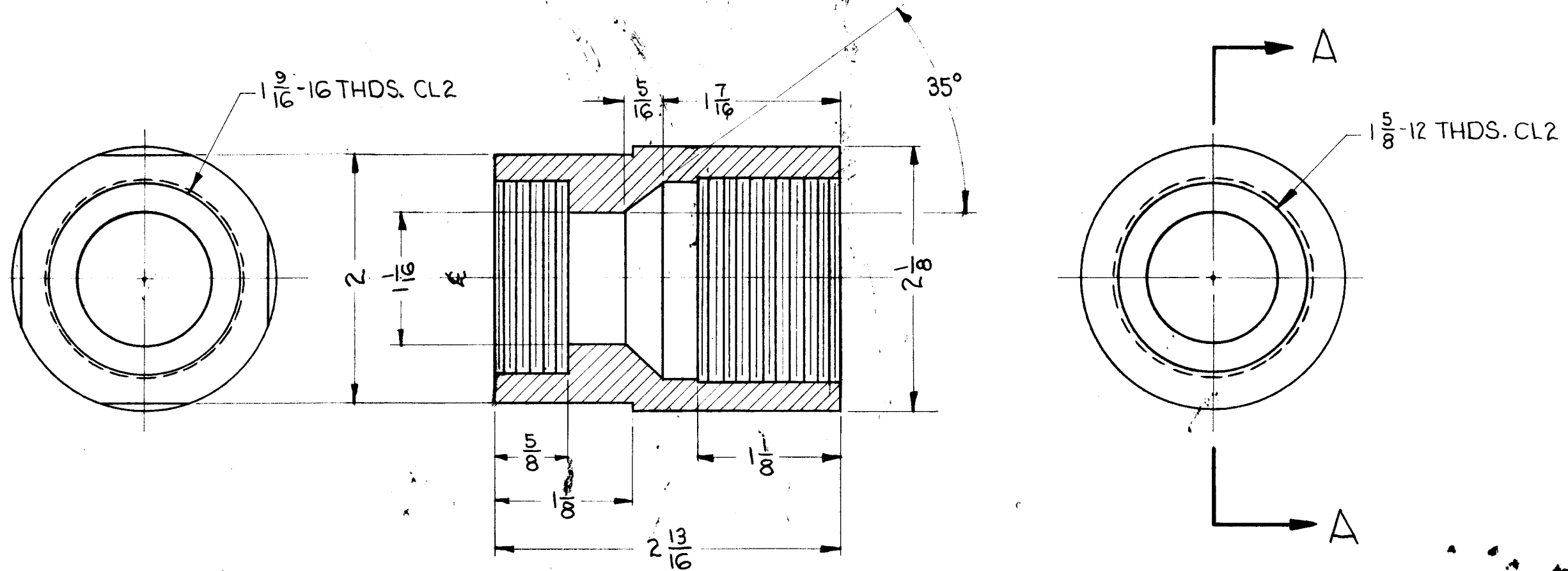
RECEIVING THIS DRAWING
 THE TECHNICAL MATERIEL CORPORATION claims
 proprietary rights in the design of the
 information shown hereon and it is not to be
 used or used to manufacture any part shown hereon without per-
 mission from THE TECHNICAL MATERIEL CORPORA-
 TION to the user. This drawing is loaned for mutual
 assistance and is subject to recall at any time.

Property of:
 THE TECHNICAL MATERIEL CORPORATION
 MAMARONECK, NEW YORK

SM-155

REVISIONS

SYM	DESCRIPTION	DATE	E.M.N. NO.	DRAFT	CHKD	APPD
-----	-------------	------	------------	-------	------	------



SECTION A-A

REQ'D.	ITEM	PART NUMBER	DESCRIPTION	SYMBOL	
PRITCHARD LIST OF MATERIAL					
MATERIAL BRASS FREE MACHINING			THE TECHNICAL MATERIEL CORP. MAMARONECK, NEW YORK		
FINISH S105 CADMIUM PLATE .0002					
			TITLE CAP, STUFFING TUBE		
UNLESS OTHERWISE SPECIFIED DIMENSIONS ARE IN INCHES AND INCLUDE CHEMICALLY APPLIED OR PLATED FINISHES		DRAWN <i>R. Surchin</i>	DATE 6-12-62	FINAL APPROVAL <i>[Signature]</i>	DATE
		CHECKED <i>[Signature]</i>	DATE		
		ELECT. DES. <i>[Signature]</i>	DATE		
		MECH. DES. <i>[Signature]</i>	DATE 6/27/62		
				SM-155	
				SHEET	REV. LTR.

1	AX-354	
Q'TY./UNIT	MODEL USED ON	ASS'Y. NO.
SCALE	CODE	

NOTES

THE CONTENTS OF THIS DRAWING ARE THE EXCLUSIVE PROPERTY
 OF THE TECHNICAL MATERIEL CORP. ITS UNAUTHORIZED USE OR
 REPRODUCTION IN WHOLE OR IN PART IS STRICTLY FORBIDDEN.